

Door and Window details.

Windows C, E and J are all single pane, fixed, timber framed glass panels with no opening sashes.

Window A is a three pane, fixed, timber framed glass panels with no opening sashes.

Window G is a two pane, fixed, timber framed glass panels with no opening sashes.

Windows D and K are both single pane with a top hung sash.

Windows F and H have two side hung sashes, storm proof hinges. One brass window stay and two brass locking handles per sash.

Windows B,M,N,O and R are in six panes, with two sashes each both top hung, opening out with two brass window stays.

Stable Doors I and Q are both solid oak with solid oak frame. Both with black ironmongery.

Glazed Door L is one single pane glaze panel door in an oak frame to match.

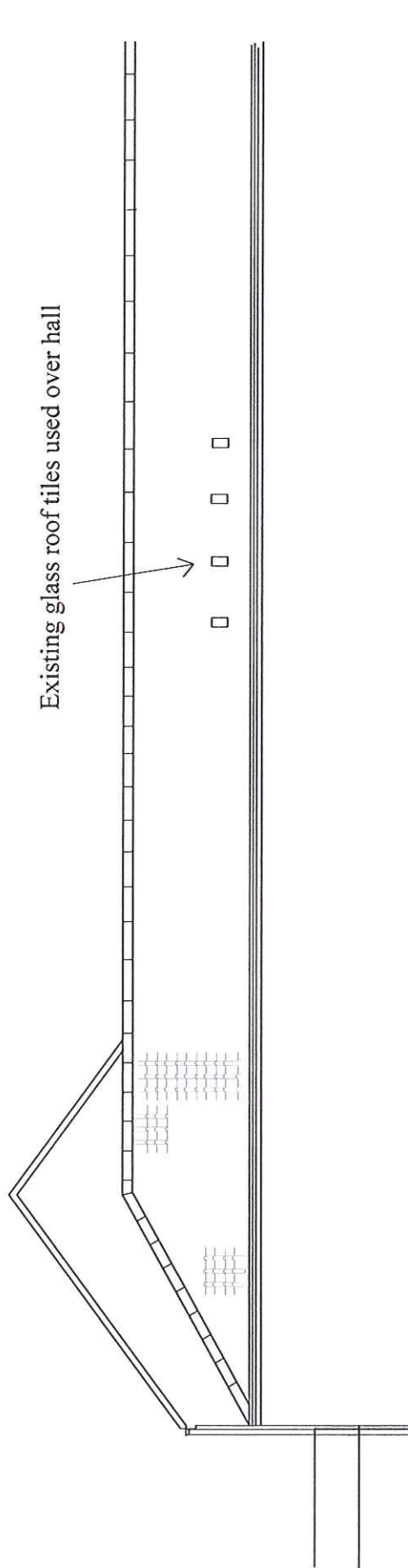
Roof windows are Fakro FWP-L 660mm x 980mm side hung, escape, conservation roof windows.

“P” is a single pane glazed door, in an oak frame, with a single pane fixed panel either side of the door.

All windows and doors are wooden. In untreated oak. All glass panes are “plantherm low “e” double glazed units.

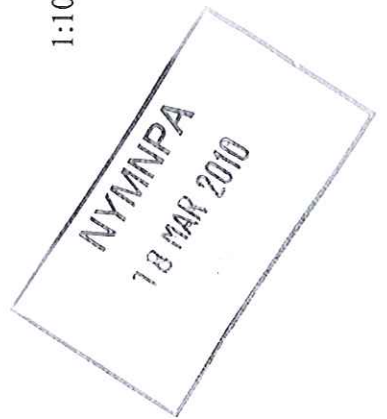
The Front Door on the North Elevation is to be a reclaimed oak door as per picture.

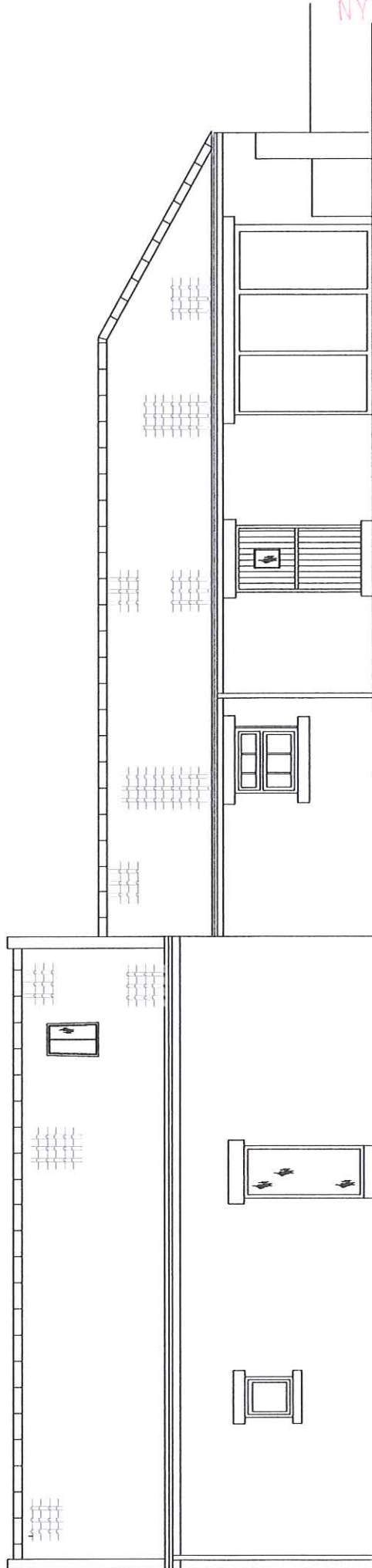




WEST ELEVATION

1:100





A

B

C

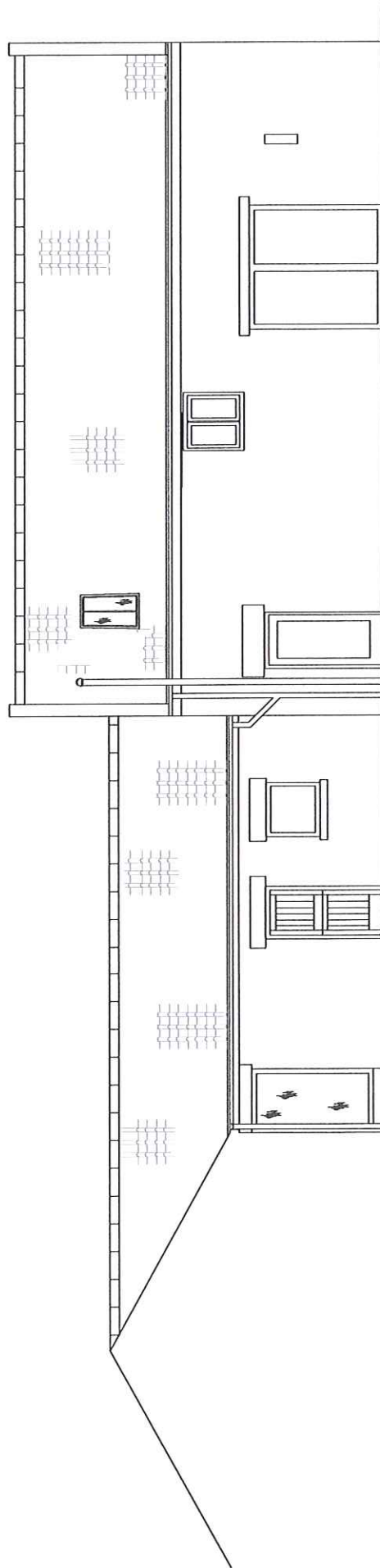
D

NORTH ELEVATION

1:100



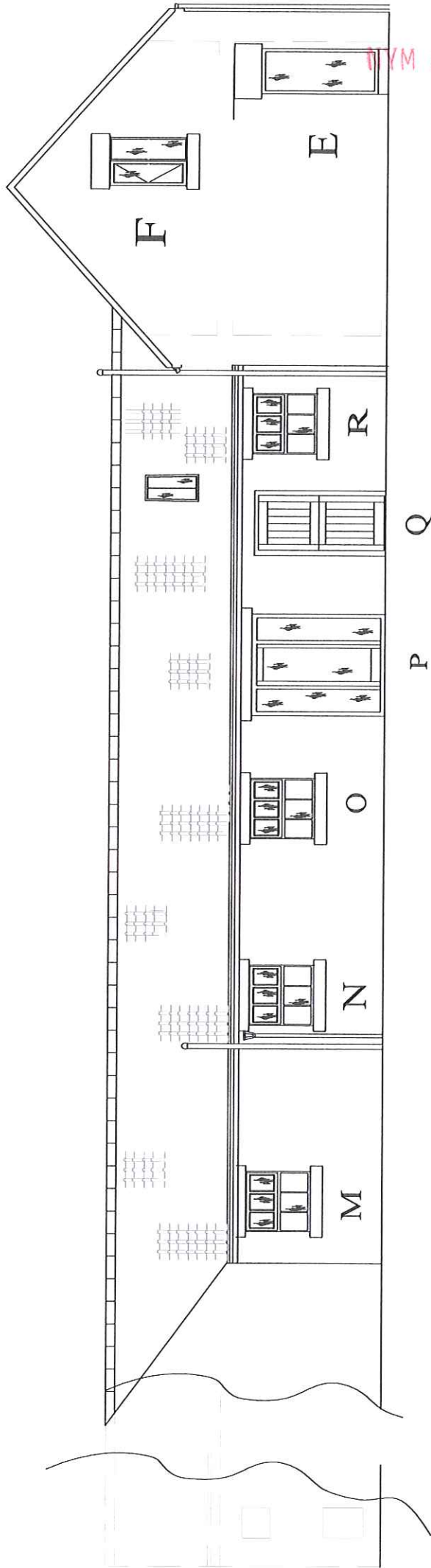
NYM / 2300 / 02727 FL



J I K L H G

SOUTH ELEVATION

1:100
NYM/NPA
18 MAR 2010

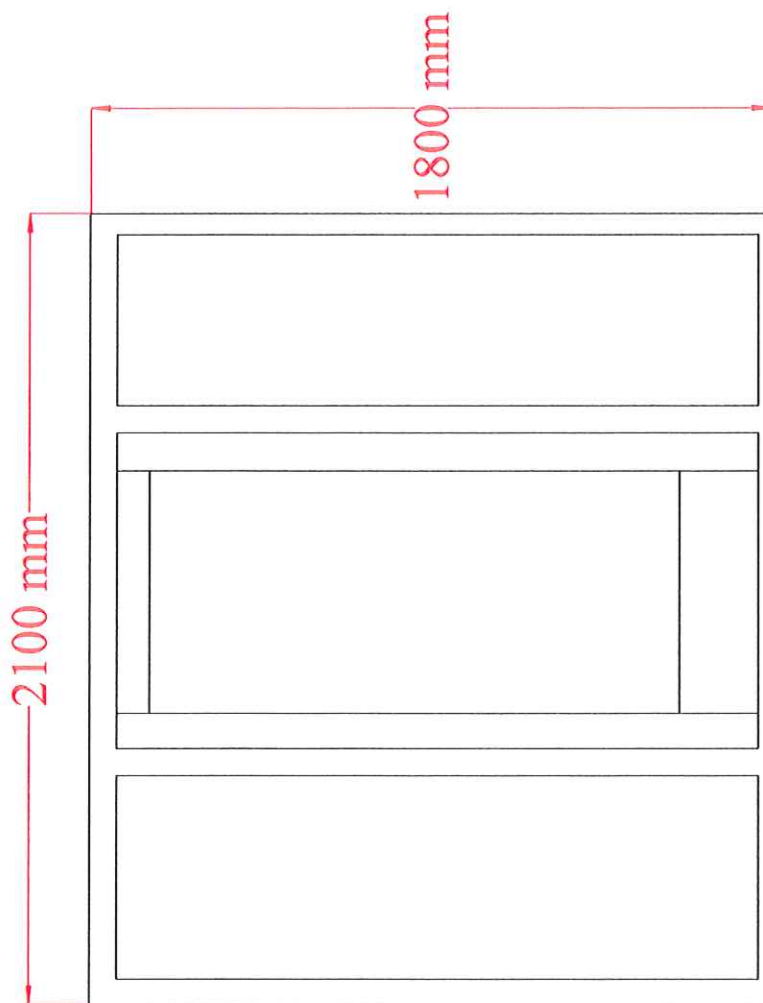


NYM / 2010 / 0 2 7 2 / FL

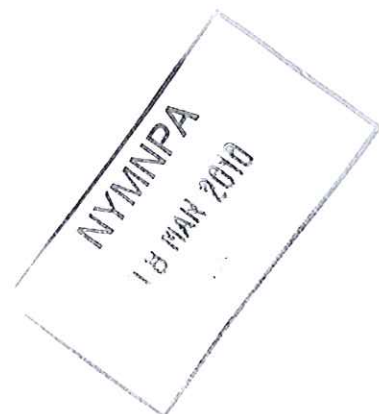
EAST ELEVATION

NYM/NPA
10 MAY 2010

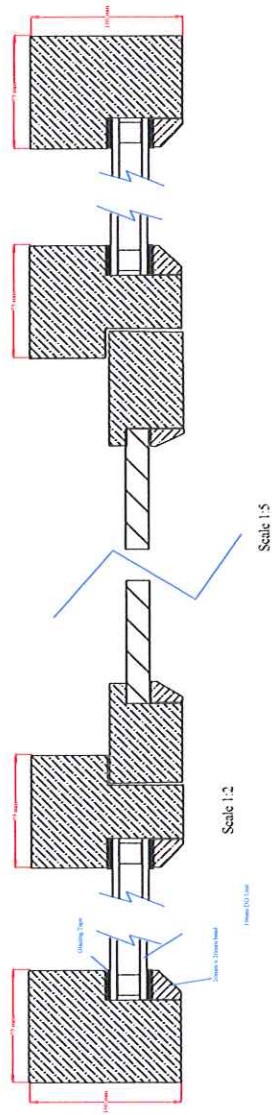
Glazed door "P"



1:20

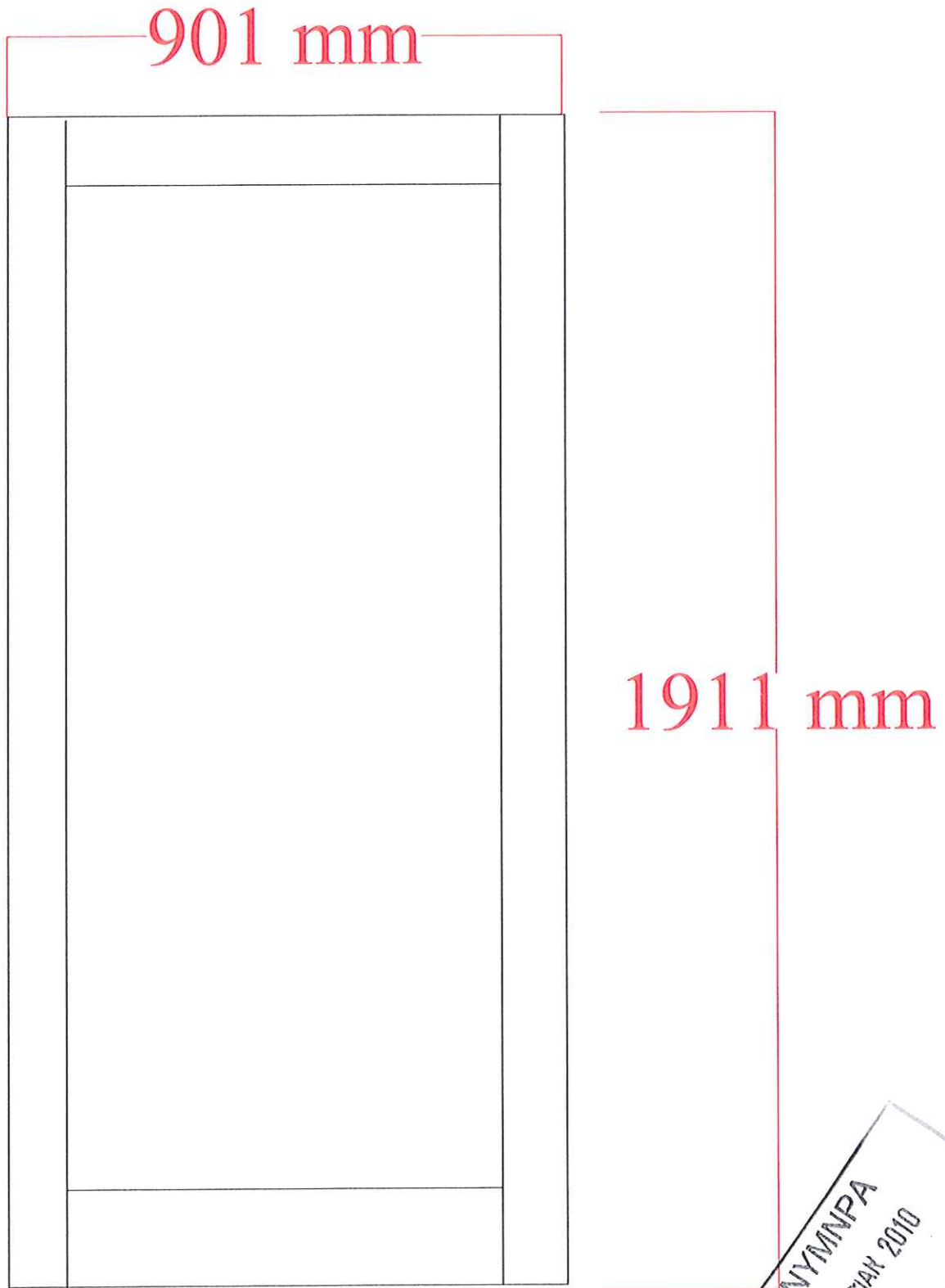


Windows "p" Cross section



NYMNP
18 FEB 2010

Glazed Door "L"

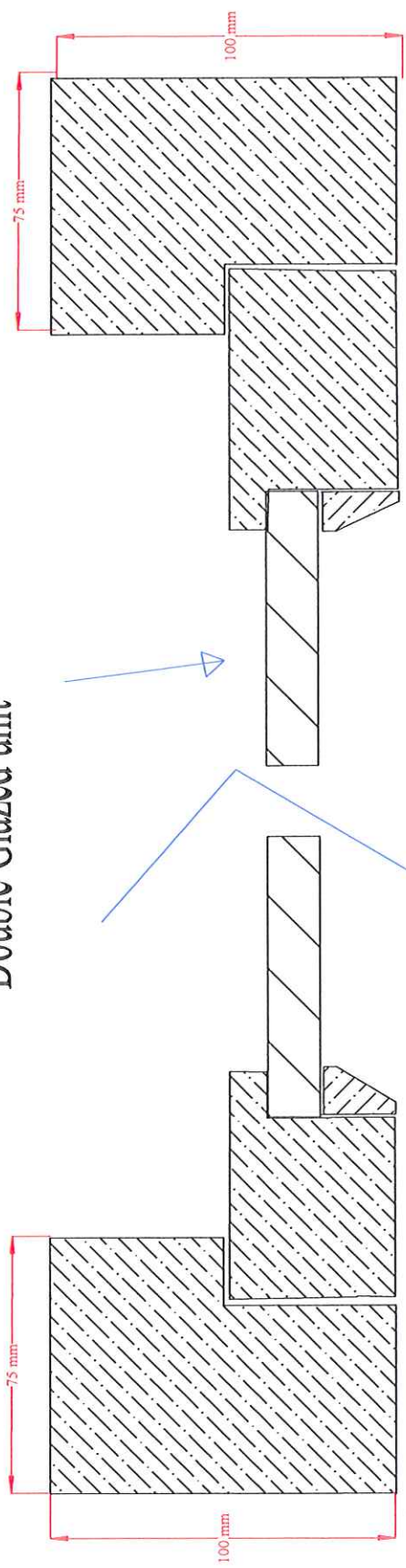


1:10

NYM/MPA
18 МАЯ 2010

"L" Rear Glazed Door

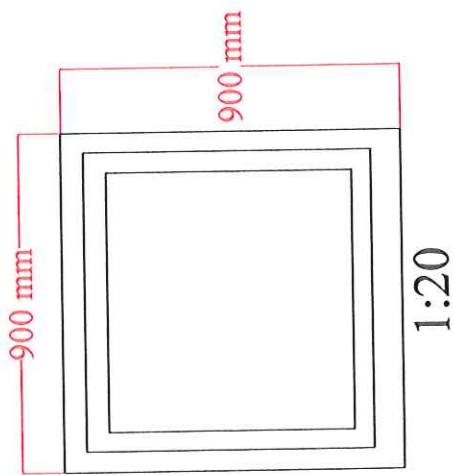
Double Glazed unit



Scale 1:2

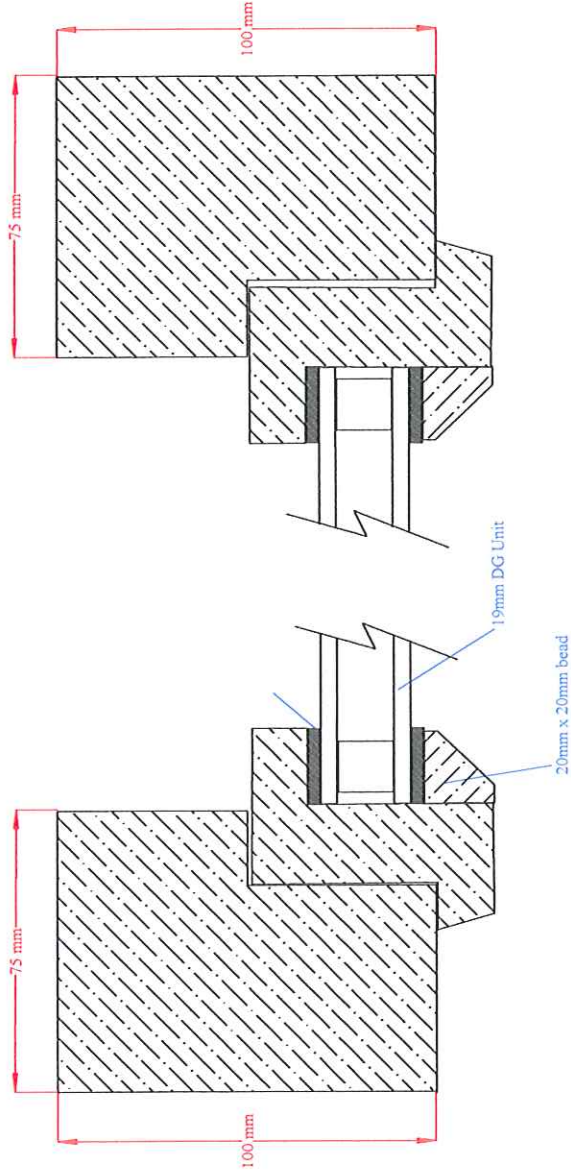
NYM/MPA
10 MAK 2010

Window K



NYMNP
18 MAY 2010

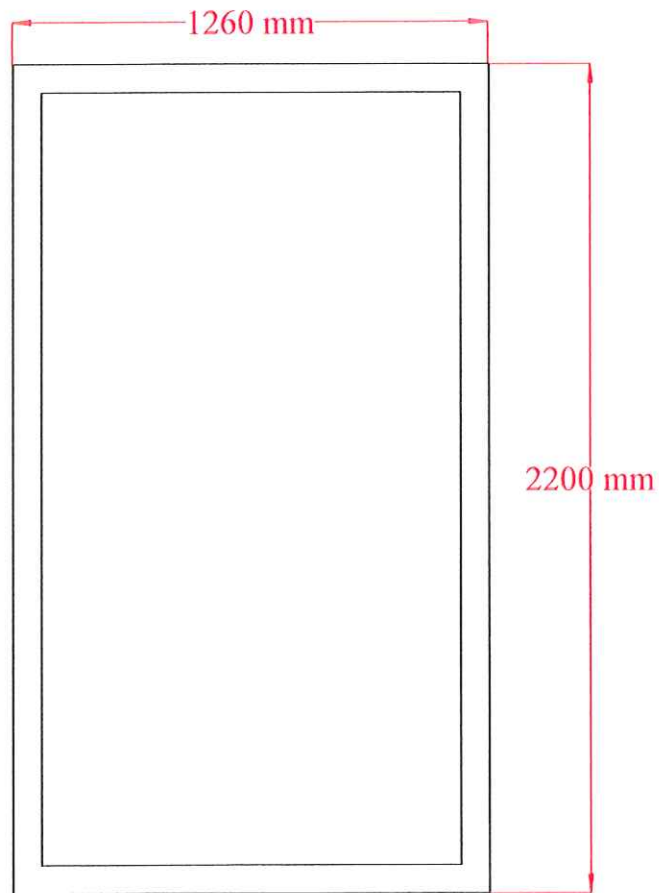
Window "K" Cross section



Scale 1:2

NYM/NPA
18 MAR 2010

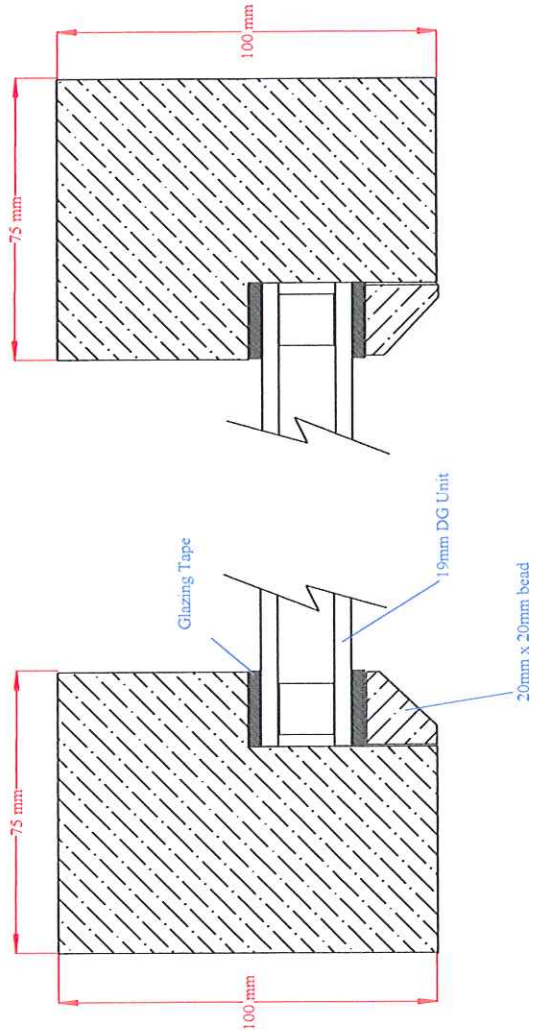
Window J



1:20



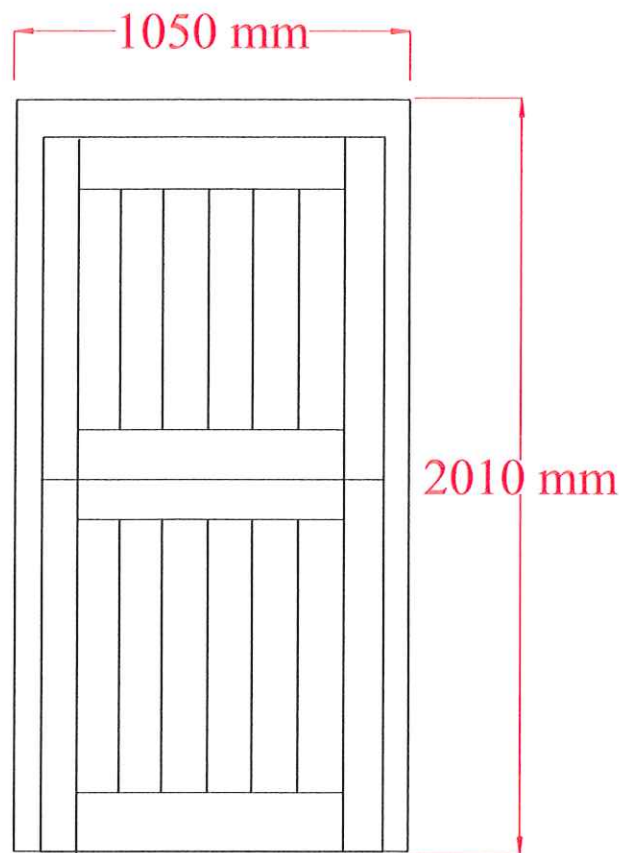
Window "J" Cross section



Scale 1:2

NYM/PA
18 MAR 2010

Stable Doors I and Q

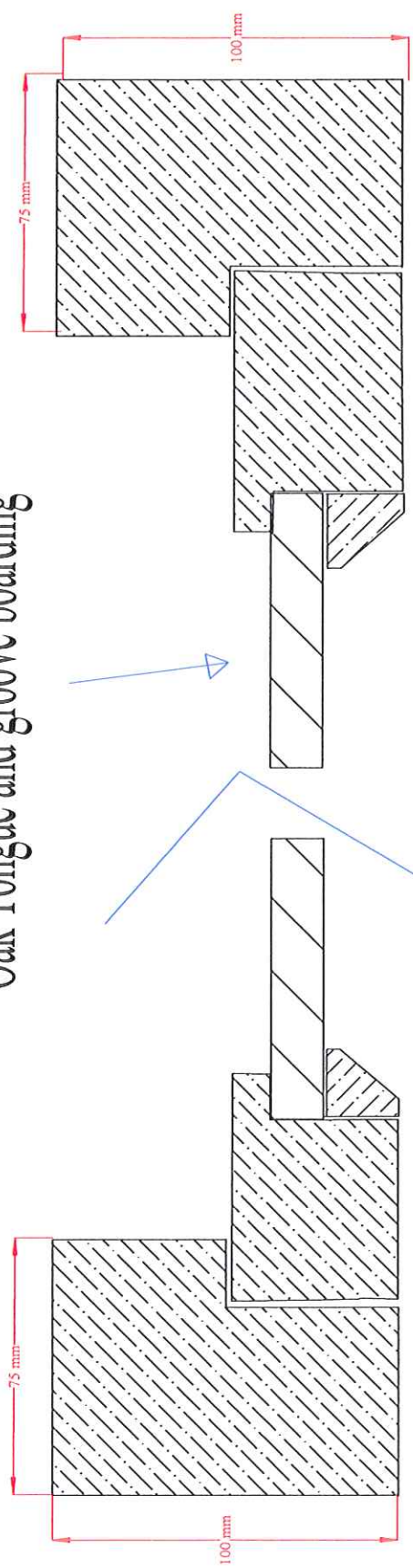


1:20



Q& "I" Rear Stable Door

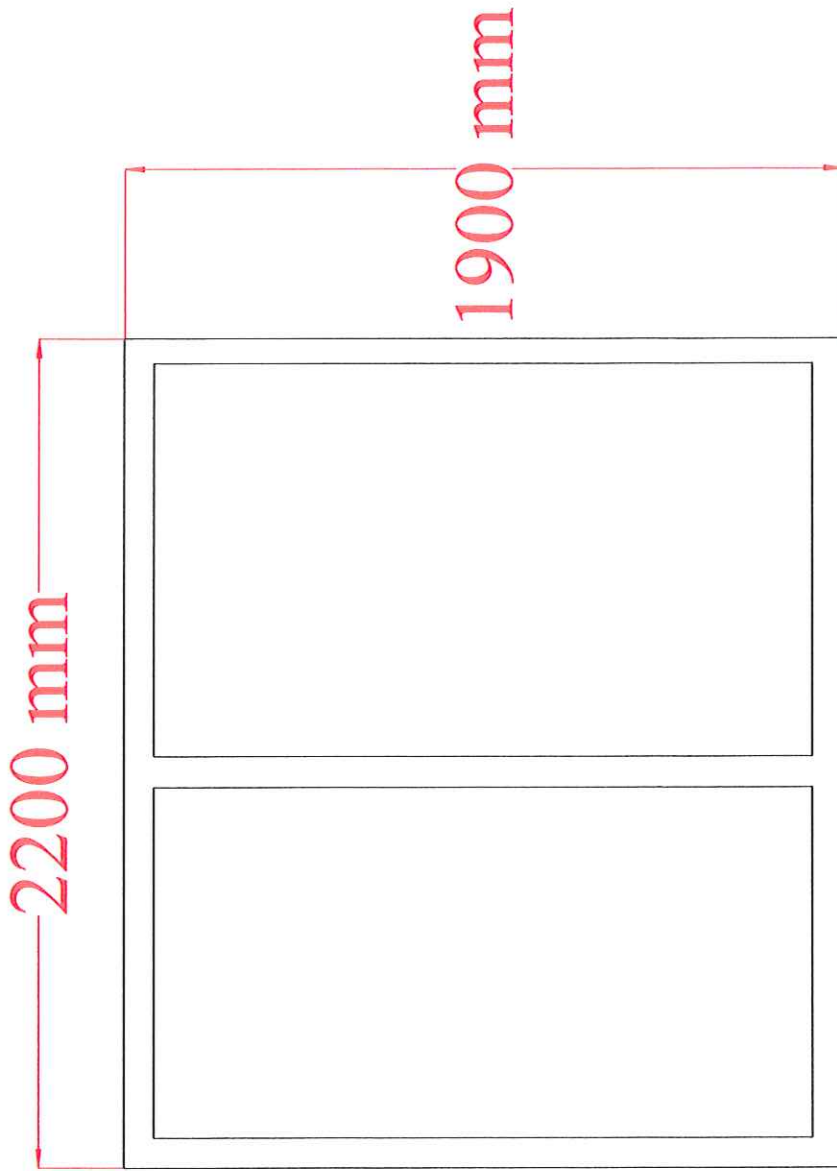
Oak Tongue and groove boarding



Scale 1:2

NYMNP
18 MAR 2010

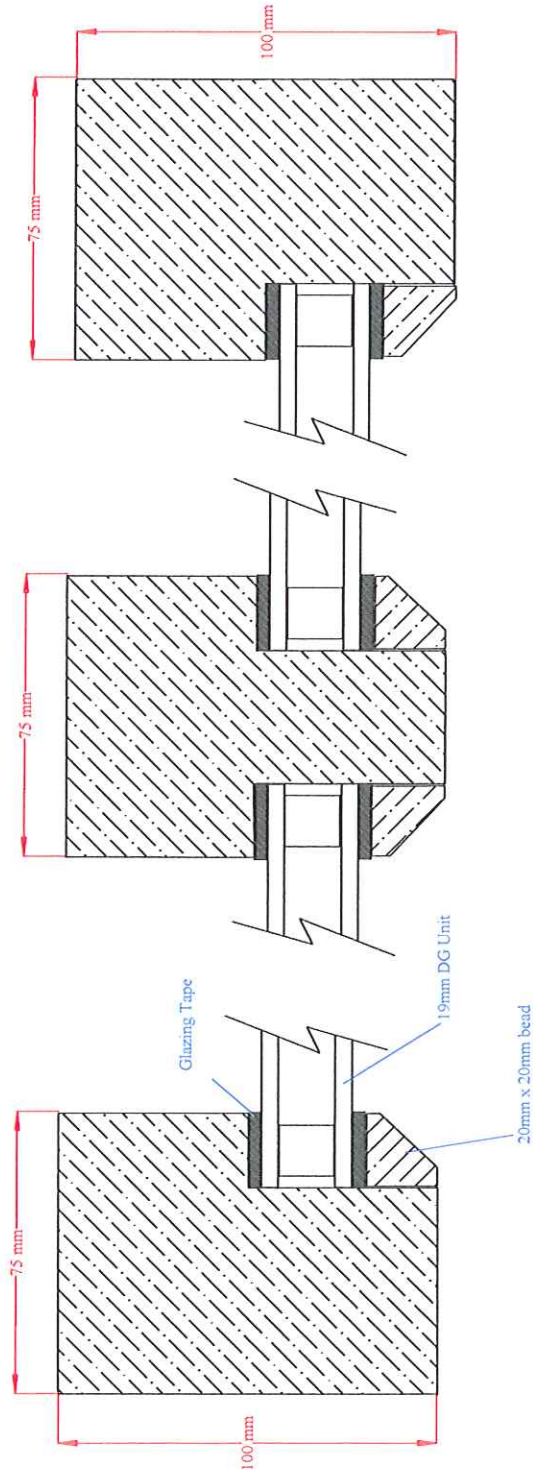
Window G



1:20



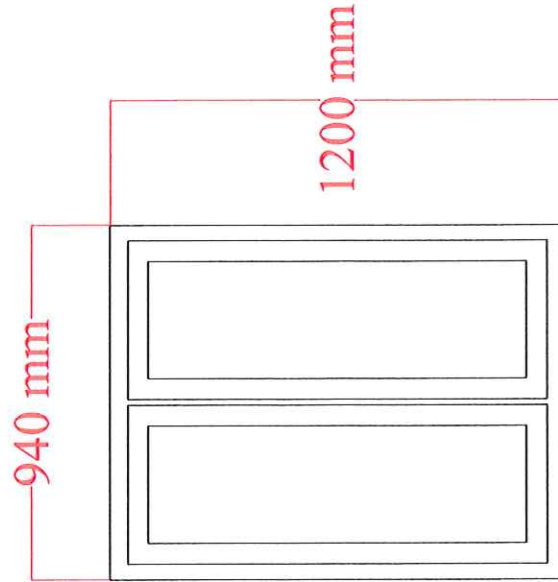
Windows "G" Cross section



Scale 1:2

NYMNP
18 MAR 2016

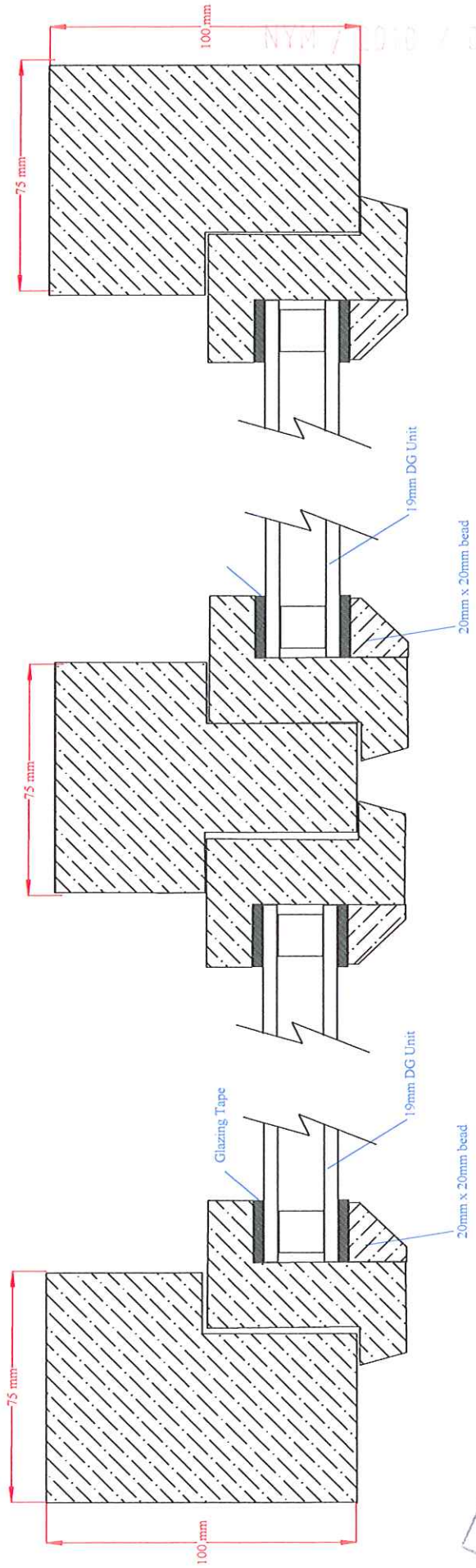
Window F and H



1:20

NYM/PA
18 MAY 2010

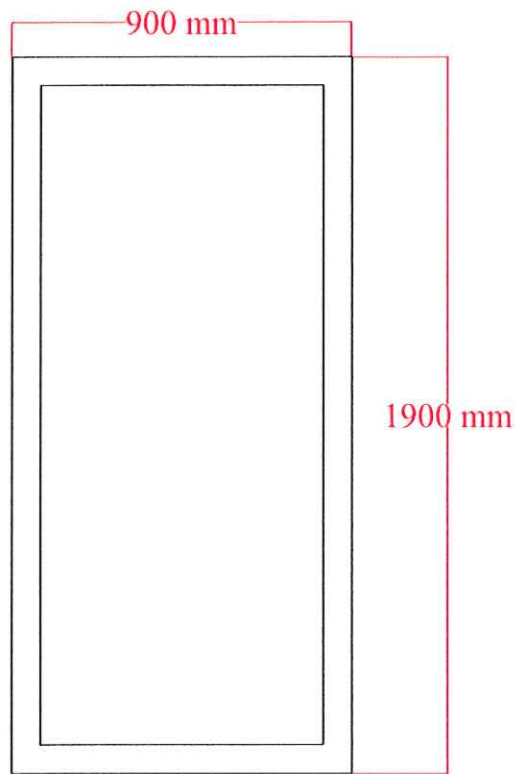
Window "F and H" Cross section



Scale 1:2

NYMNP
18 MAR 2010

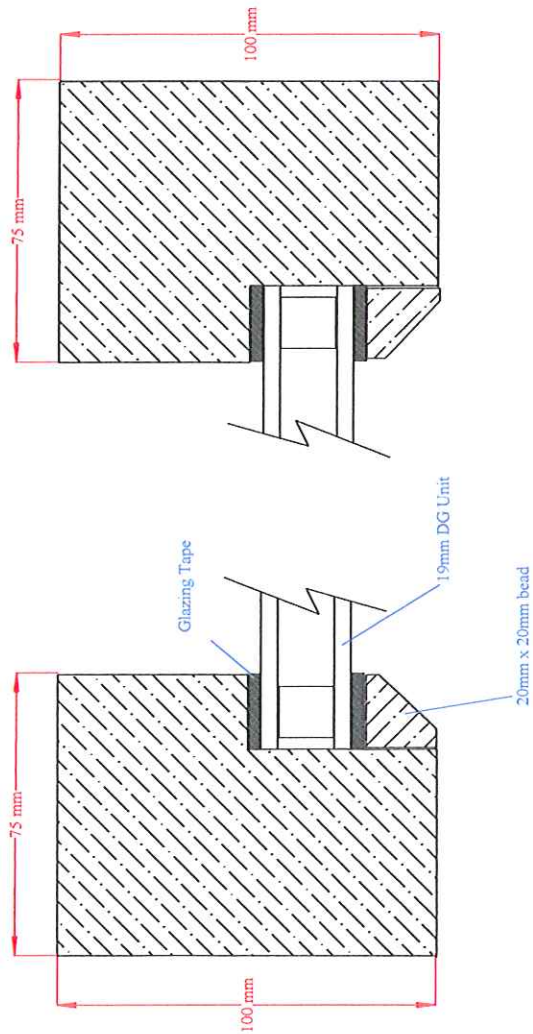
Window E



1:20



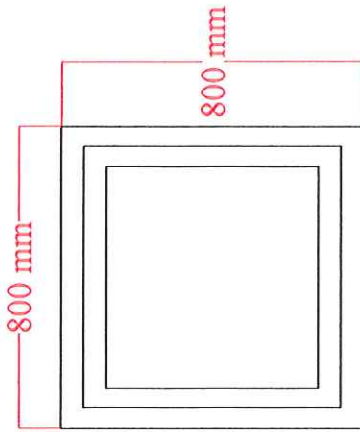
Window "E" Cross section



Scale 1:2

NYM/MPA
16 MAY 2010

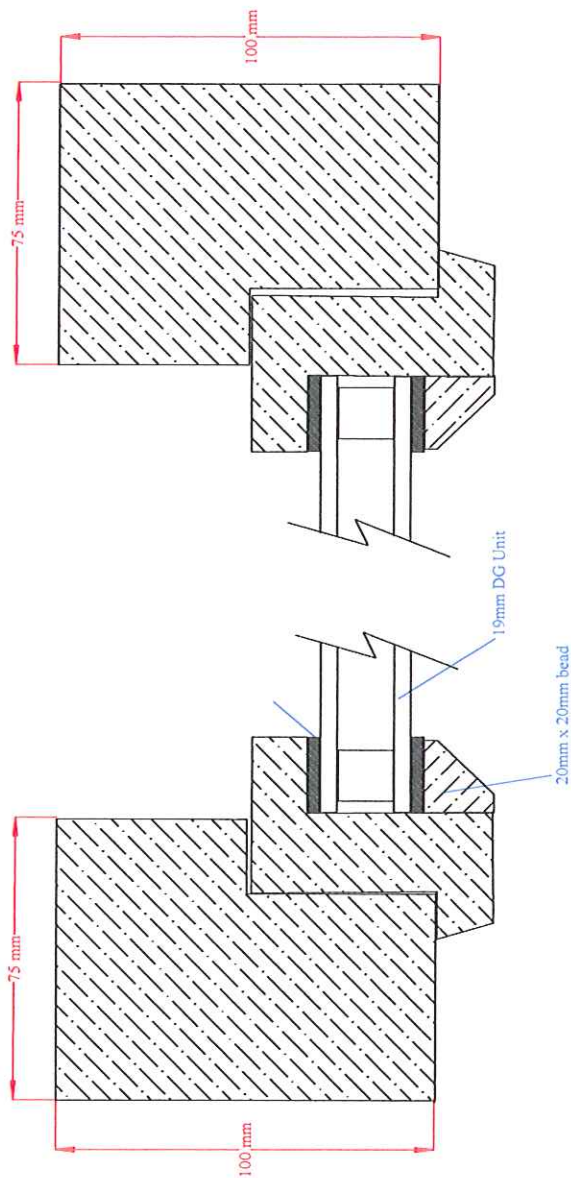
Window D



1:20

NYM/PA
18 MAR 2010

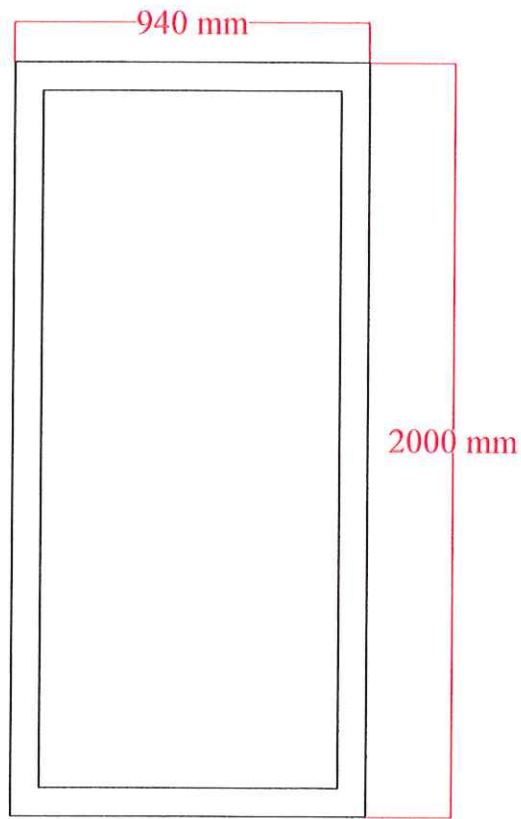
Window "D" Cross section



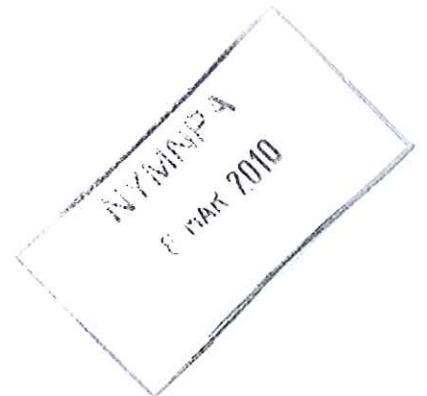
Scale 1:2

NYMNP
18 MAR 2010

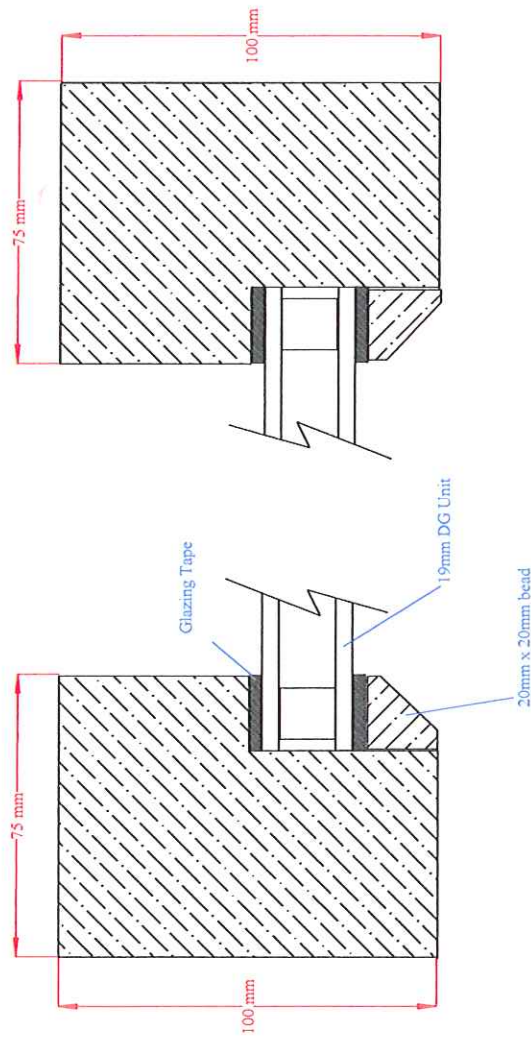
Window C



1:20



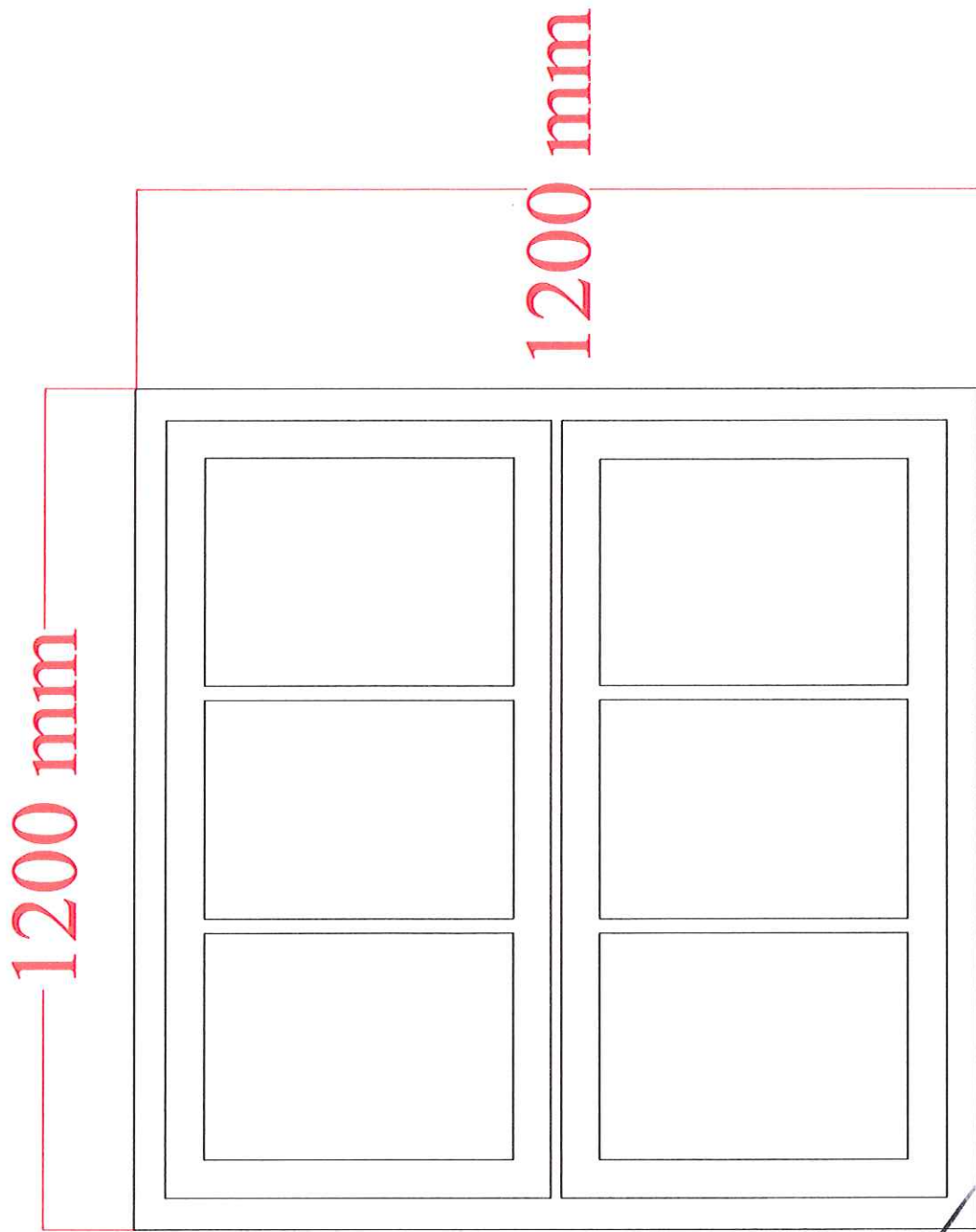
Window "C" Cross section



Scale 1:2

NYM/MPA
18 MAR 2010

Window B,M,N,O and R

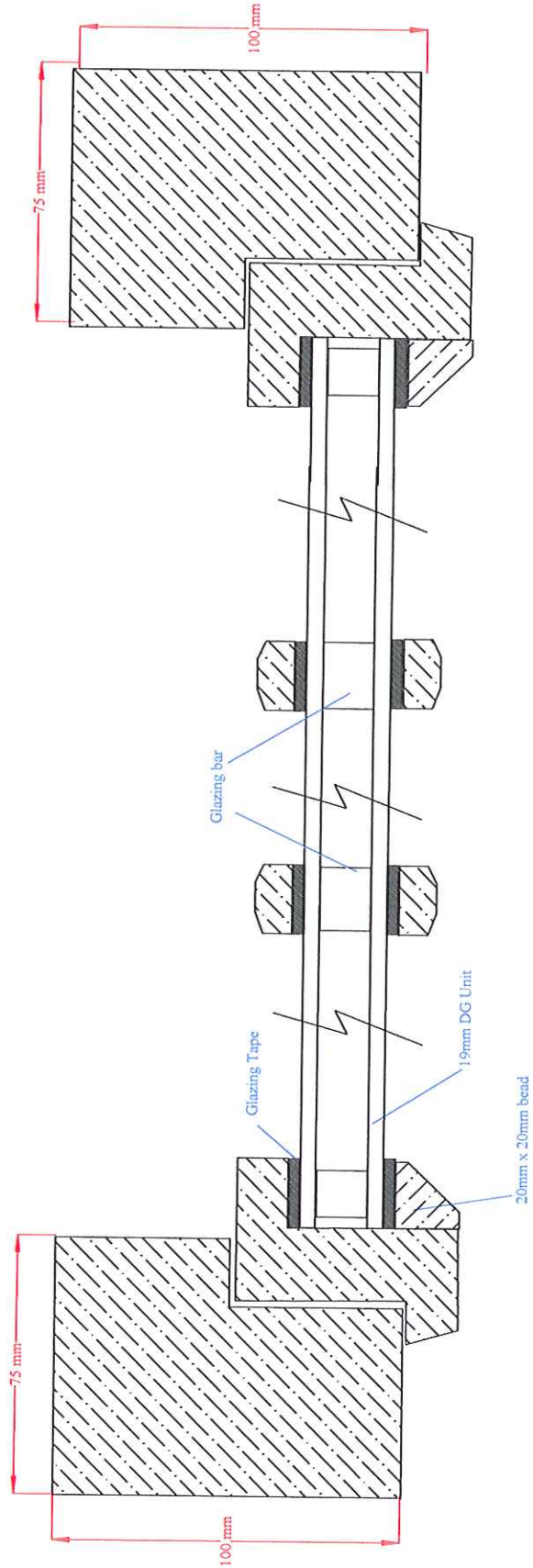


1:10

NYM/NPA
18 MAR 2010

Window "B,M,N,O and R" Sash Cross section

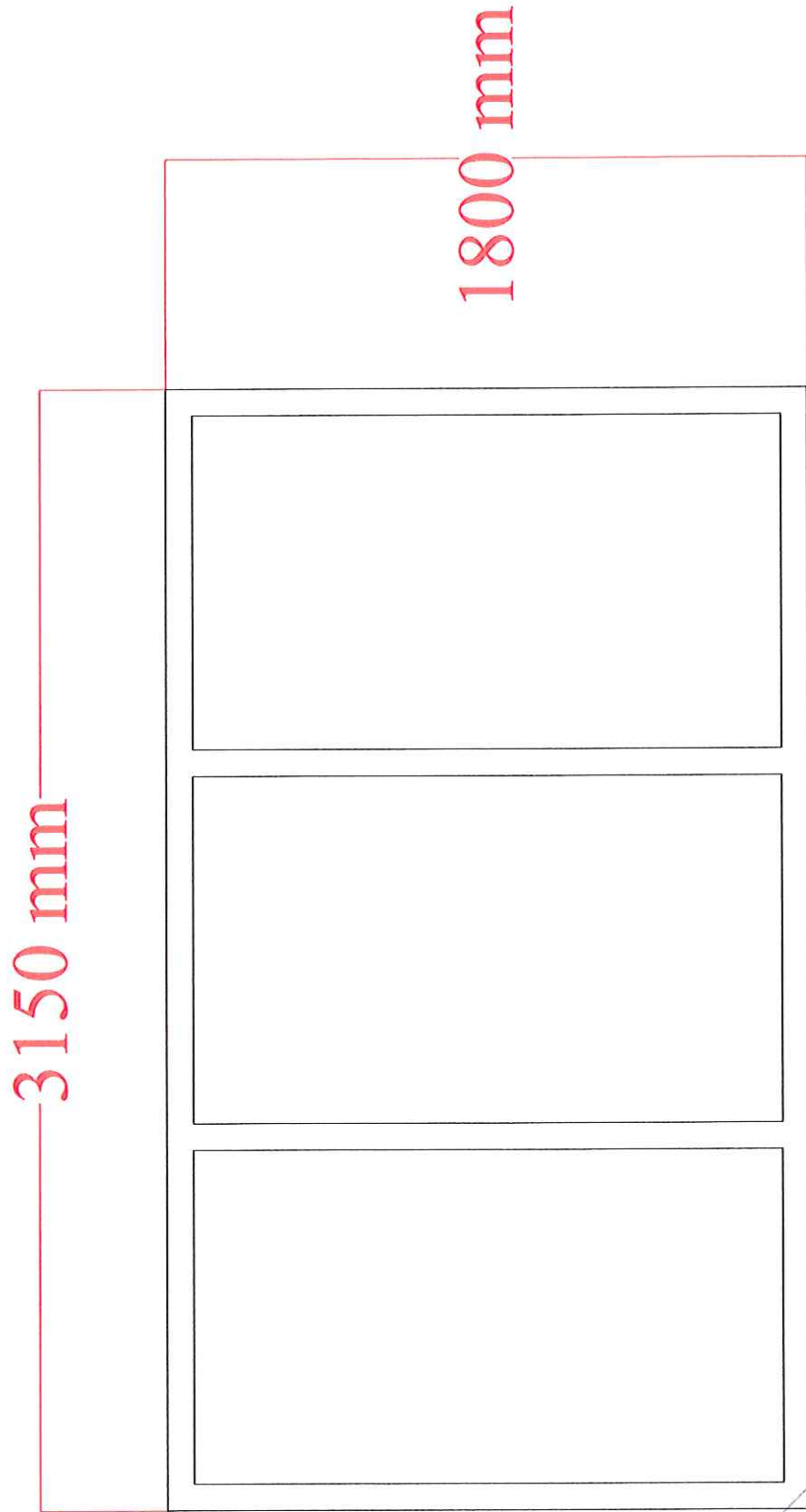
NYM / 2010 / C 2 7 2 / FL



Scale 1:2

NYMNP
18 MAR 2010

Window A

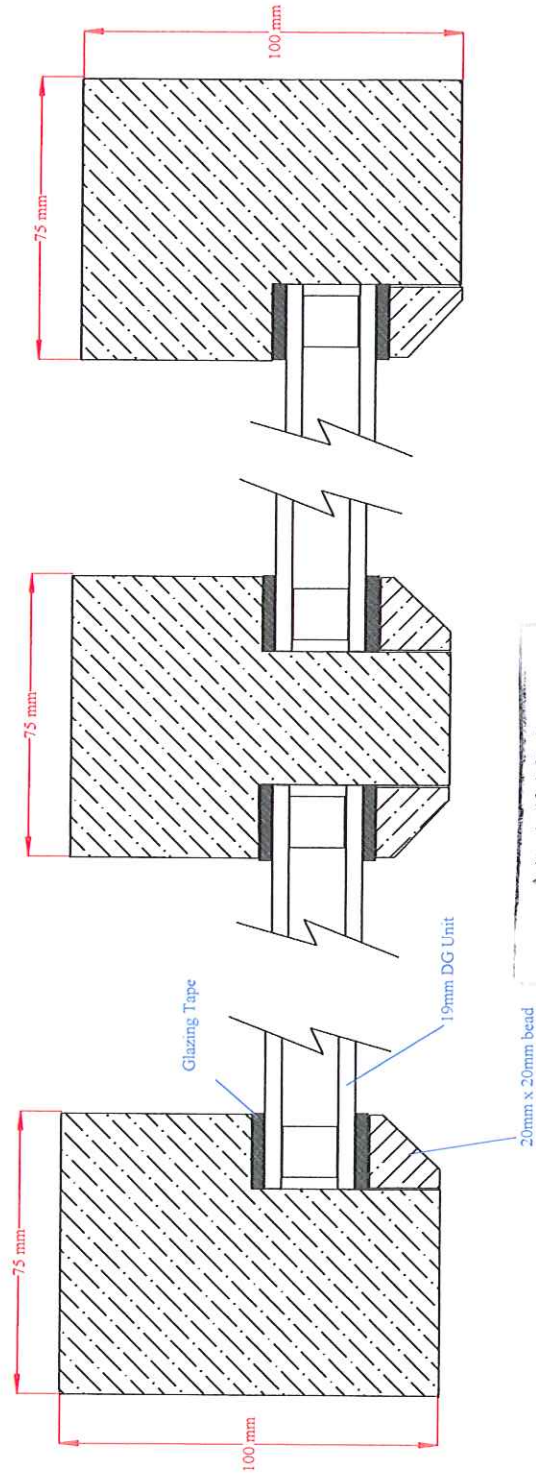


1:20

NYM/NPA
18 MAR 2010

10/11/2010 / 10 MAR 2010

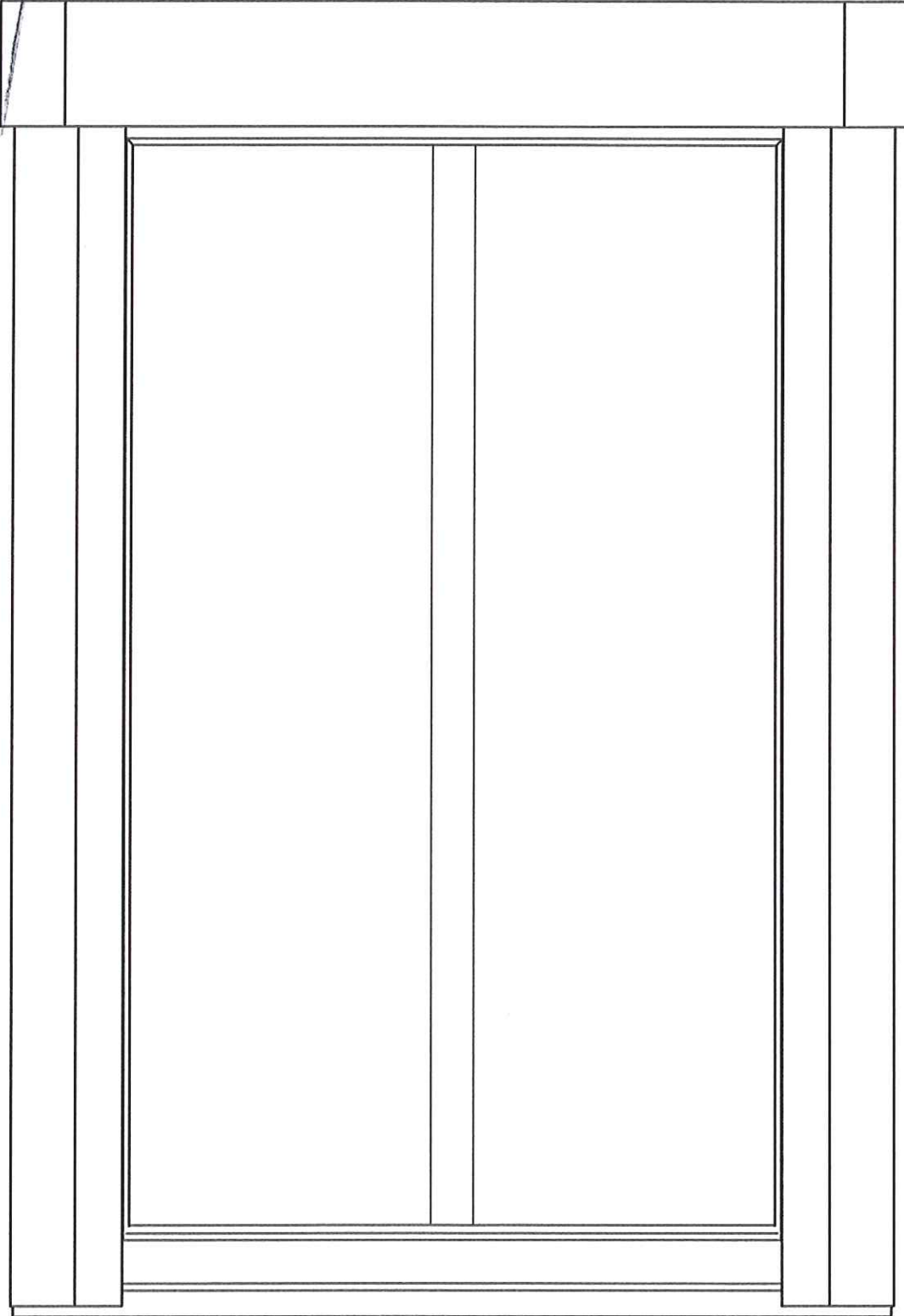
Windows "A" Cross section



N7/MNS
 Scale 1:2
 10 MAR 2010

"Facro" Escape side hung conservation roof window

NYMNP
10 MAY 2010



1:5

NYM / 2010 / 0 2 7 2 / FL

NYMIPA
10 MEI 2010

64

