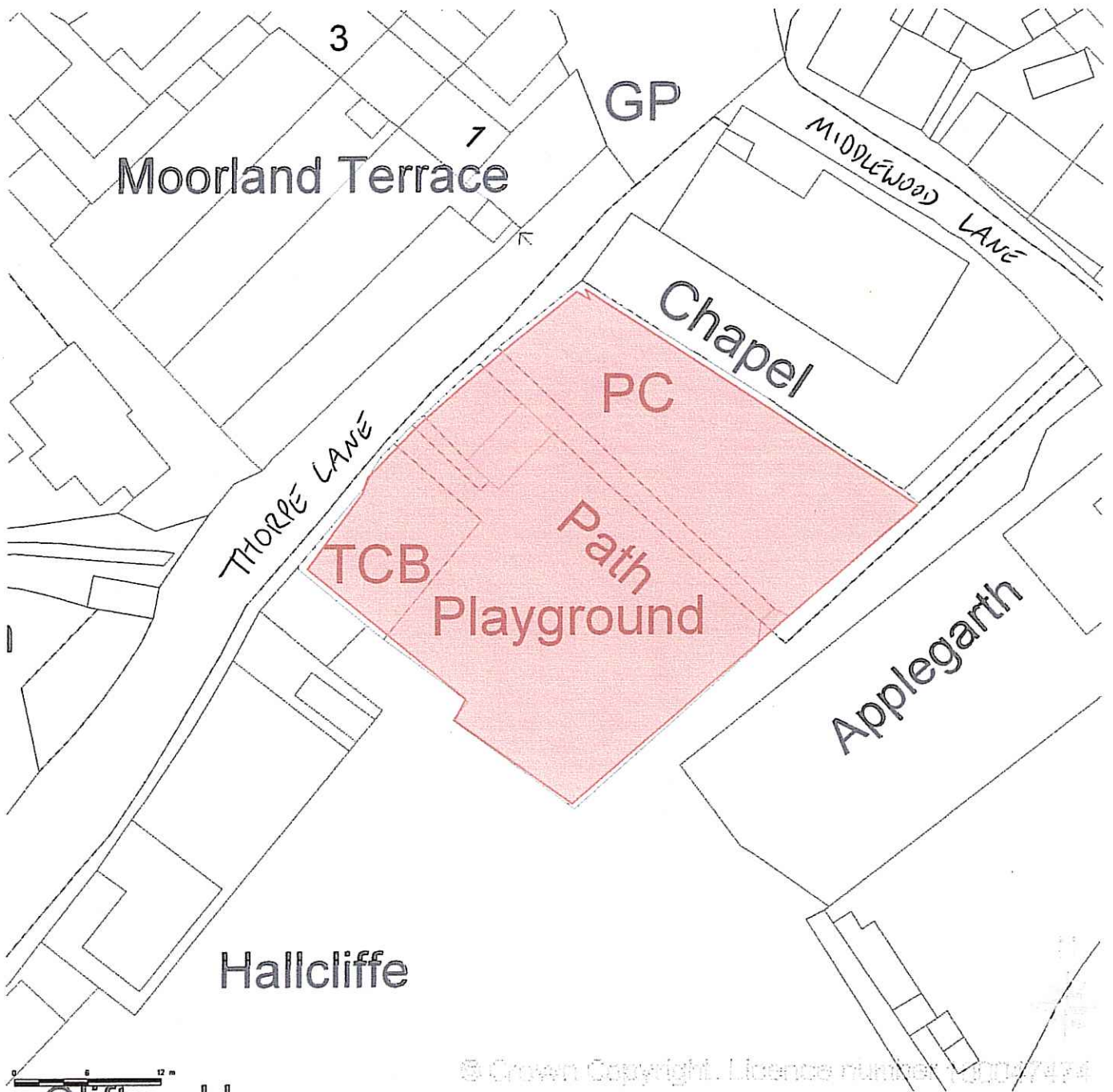


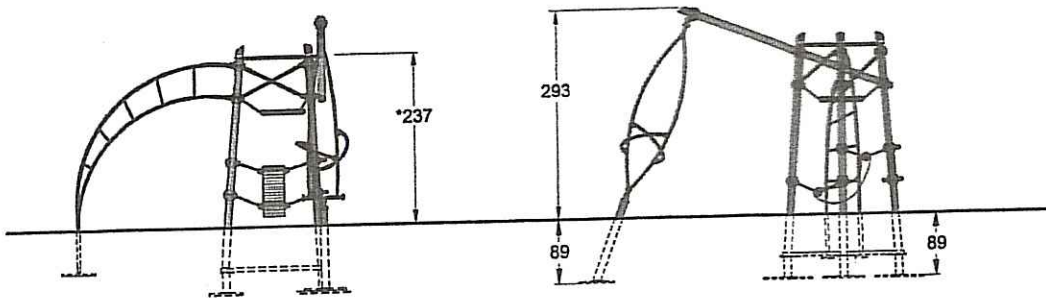
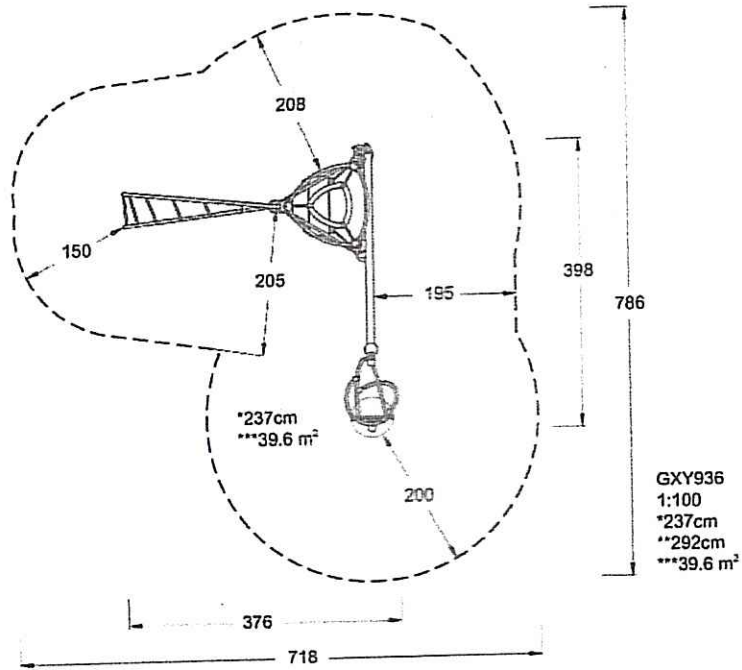
AREA 90m x 90m
SCALE 1:500

CENTRE COORDINATES: 494303, 504994



Supplied by Streetwise Maps Ltd
www.streetwise-maps.com
Licence No: 100047474

NYMNPA
15 SEP 2010



NYMNP
7 SEP 2010



KOMPAN Product Info

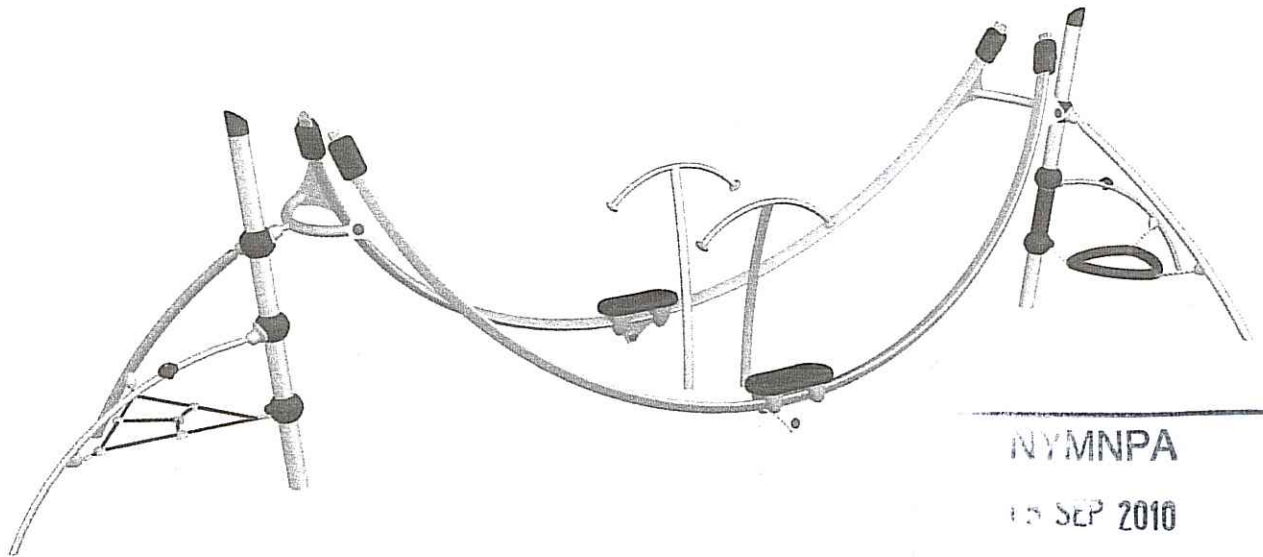
kompaninfo.com

Miram Skater • GXY926

BEST USER AGE: 5–12 years

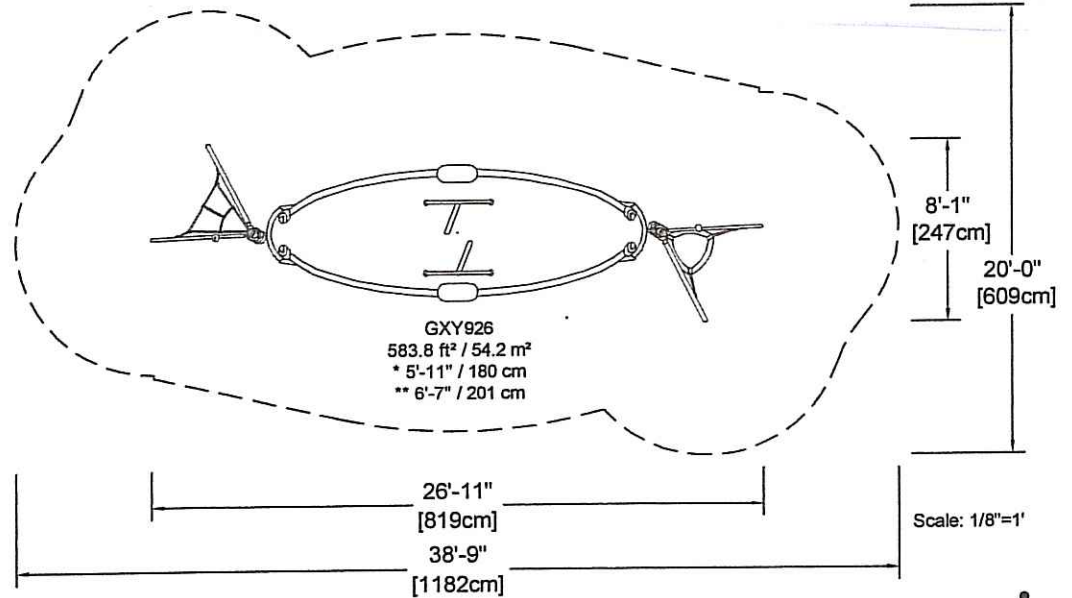
FOOTING INFORMATION:
In-ground posts. Surface installation also available.

GALAXY



NYMNPA

15 SEP 2010



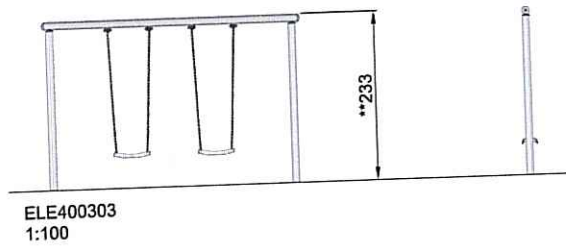
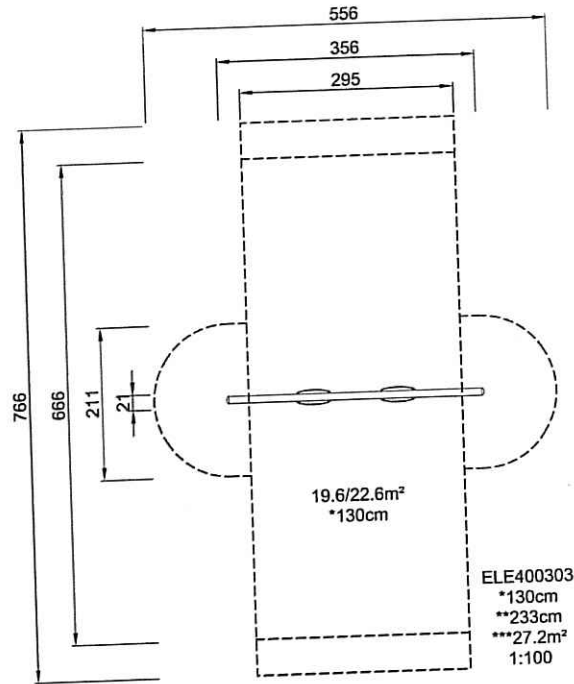
To verify product certification, visit ipema.org

* = Highest designated play surface.
 ** = Total height of product.

Information on the highest designated play surface as well as space required is according to ASTM 1487.

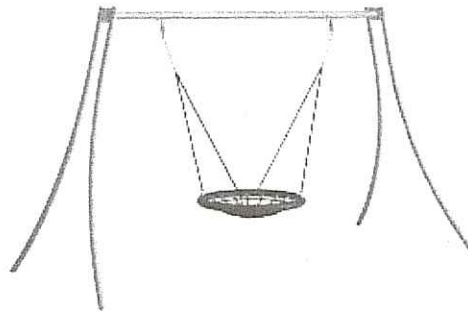
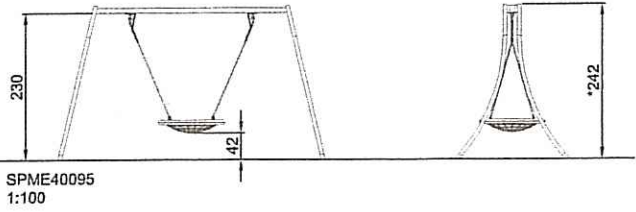
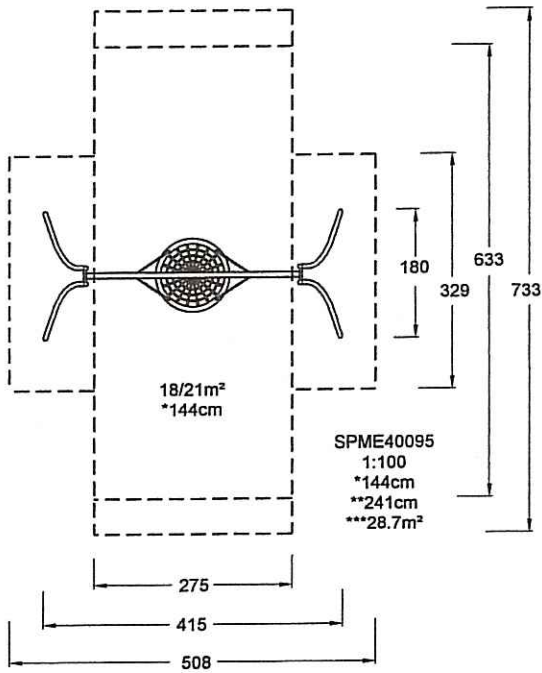
Equipment must be installed over resilient surfacing appropriate to the safety guidelines in your area.

Product development is an ongoing process. For this reason we reserve the right to make modifications in the form of product improvements on all our products. This product may not be mirrored, scaled or altered in any way. Safety Zones must be retained for proper placement of equipment. ASTM 1487 has specific guidelines as to the overlapping of play equipment safety zones. If any changes are required please contact your KOMPAN representative at 1.800.426.9788.



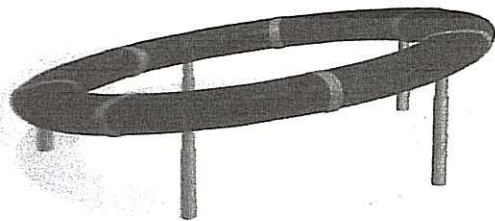
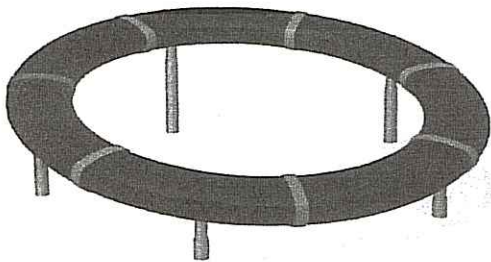
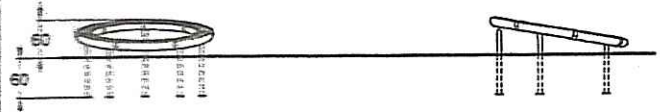
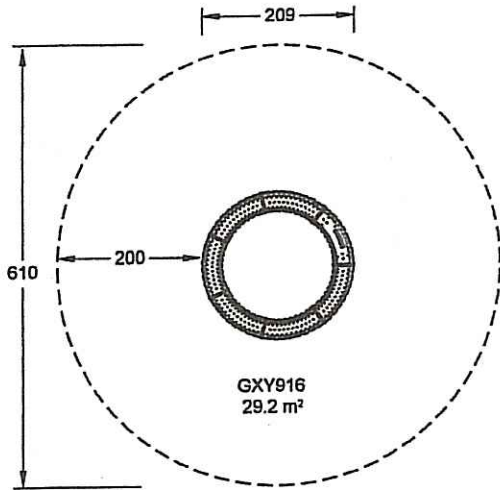
NYMNP

15 SEP 2010



NYMNPA
15 SEP 2010



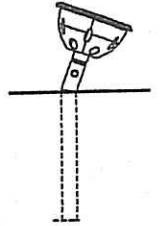
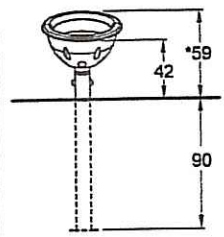
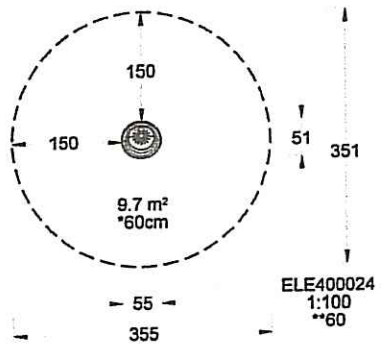


NYMNPA

18 SEP 2010

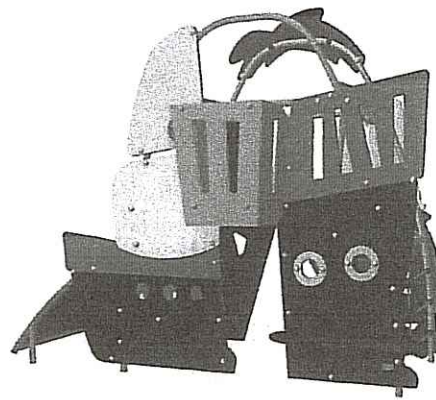
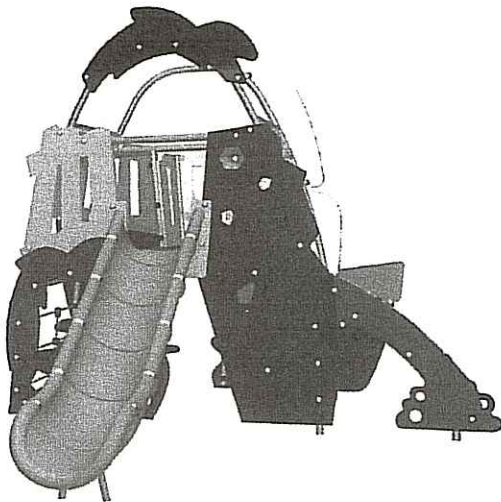
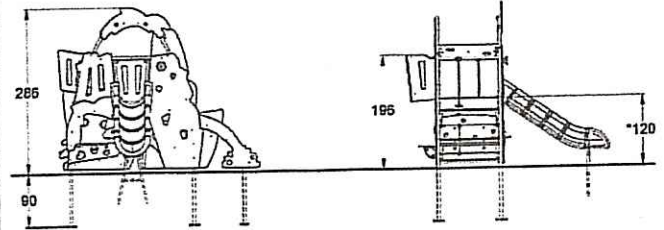
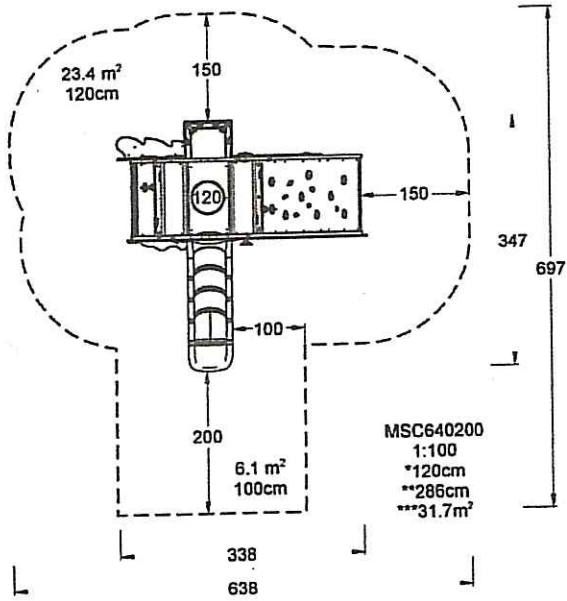
KOMPAN!
Playful Living

ELEMENTS



NYMNPA
15 SEP 2010





NYMNP
15 SEP 2010

KOMPAN!
Playful Living



STANDARDS AND COMPLIANCE
 All KOMPAN products are independently tested to EN 1176 by TÜV Testing House, Hamburg.
 All impact absorbing surfaces specified by KOMPAN is tested to EN 1177.
 Certificates available upon request.

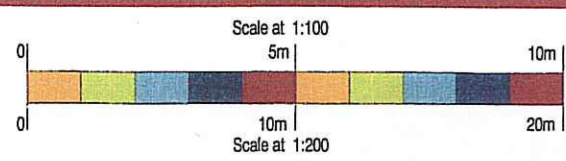
THE ENVIRONMENT:
 KOMPAN's quality and environmental procedures are certified according to ISO 9001/BS 5750 and ISO 14001/BS 7750.

KOMPAN is a registered member of the Association of Play Industries (API).

This drawing is not based on precise location and orientation. It is subject to ground conditions and site constraints.

Kingston Field Fylingdales Park Proposed Play Area

Plan Scale: 1:100
 Drawing No.: SQ2
 Date: 02/10/2010
 Account Manager: Kevin
 Drawing By: Lauren



*NOTE: EXACT LOCATION OF EQUIPMENT TO BE CONFIRMED WITH SURVEY DATA