

Door and Window details.

Door A is to the Boiler Room/ Outbuilding and is Ledge and Braced in untreated, rough sawn softwood, with black "T" hinges

Window B is an arched top, three pane, fixed timber framed glass panels with no opening sashes.

Glazed Doors C, D and E are one single pane glaze panel door in an oak frame to match.

Window F is in six panes, with two sashes each both top hung, opening out with two brass window stays.

"G" is a single pane glazed door, in an oak frame, with a single pane fixed panel either side of the door

Window H is a single pane with a fixed top hung sash and obscure glass

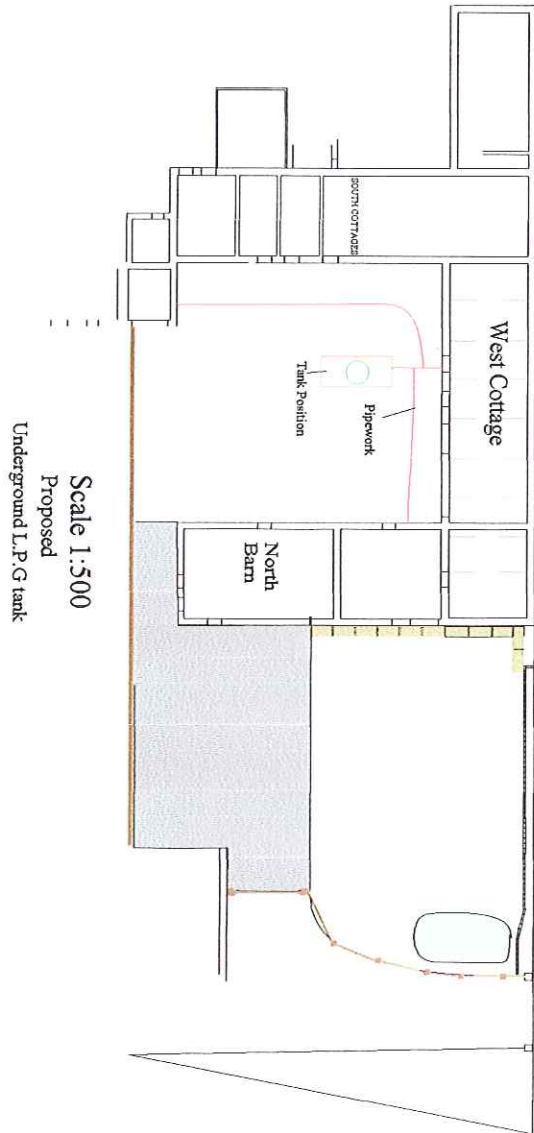
Roof windows are Fakro FWP-L 660mm x 1180mm side hung, escape, conservation roof windows. The three facing the adjoining courtyard are to be obscure glass for privacy reasons.

All windows and doors are wooden. In untreated oak. All glass panes are "plantherm low "e" double glazed units.

NYMNPA
13 OCT 2010

40

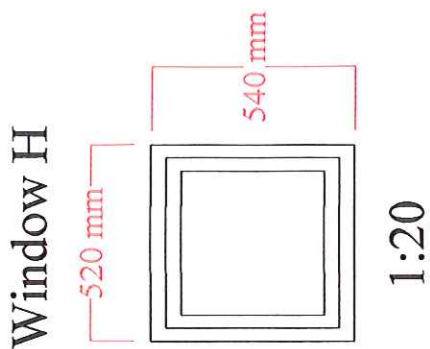
NYM / 2010 / 0 8 3 8 / FV



NYM NPA
13 OCT 2010

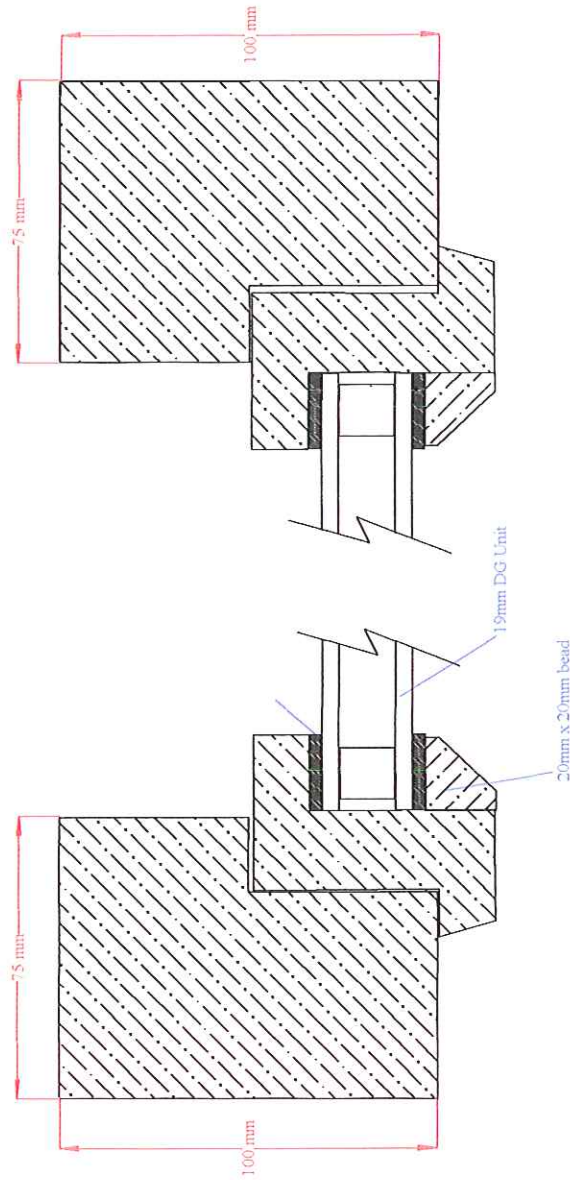
39

NYM / 2010 / 8 3 8 / FL



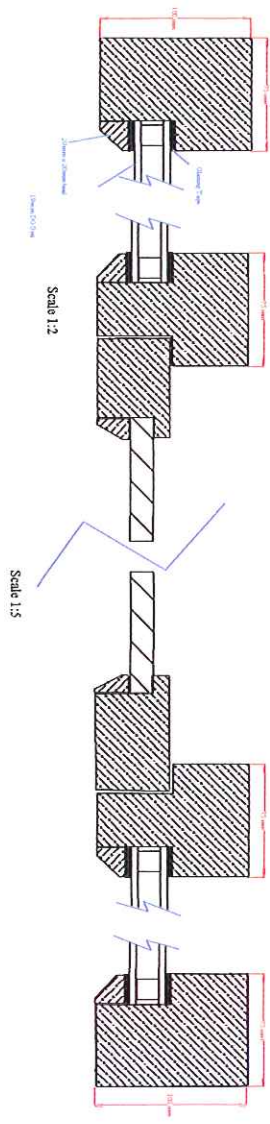
NYMNP
13 OCT 2010

Window "H" Cross section



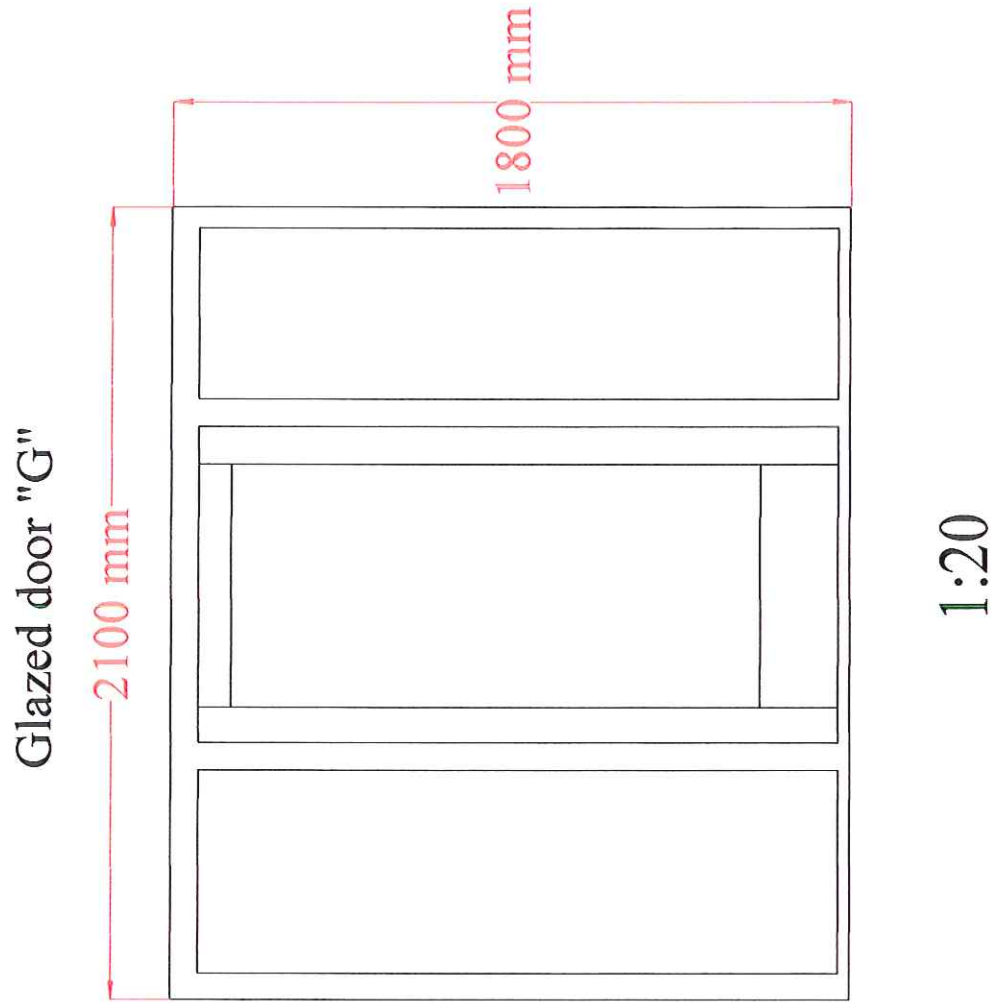
Scale 1:2

NYM NPA
13 OCT 2010



Glazed Door "G" Cross section

NYMNPA
13 OCT 2010

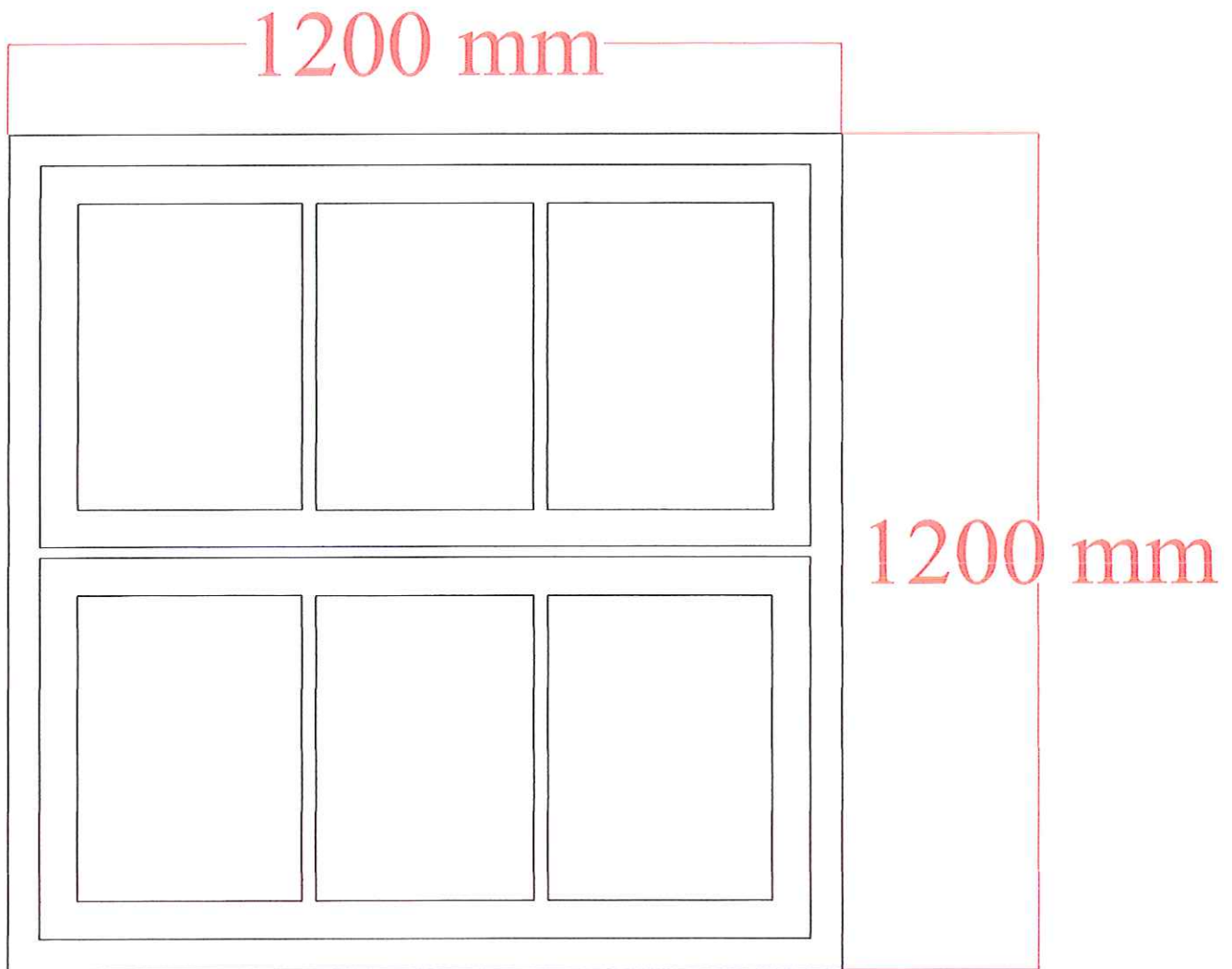


NYM NPA
13 OCT 2010

35

NYM / 2010 / 0 8 3 8 / FL

Window F



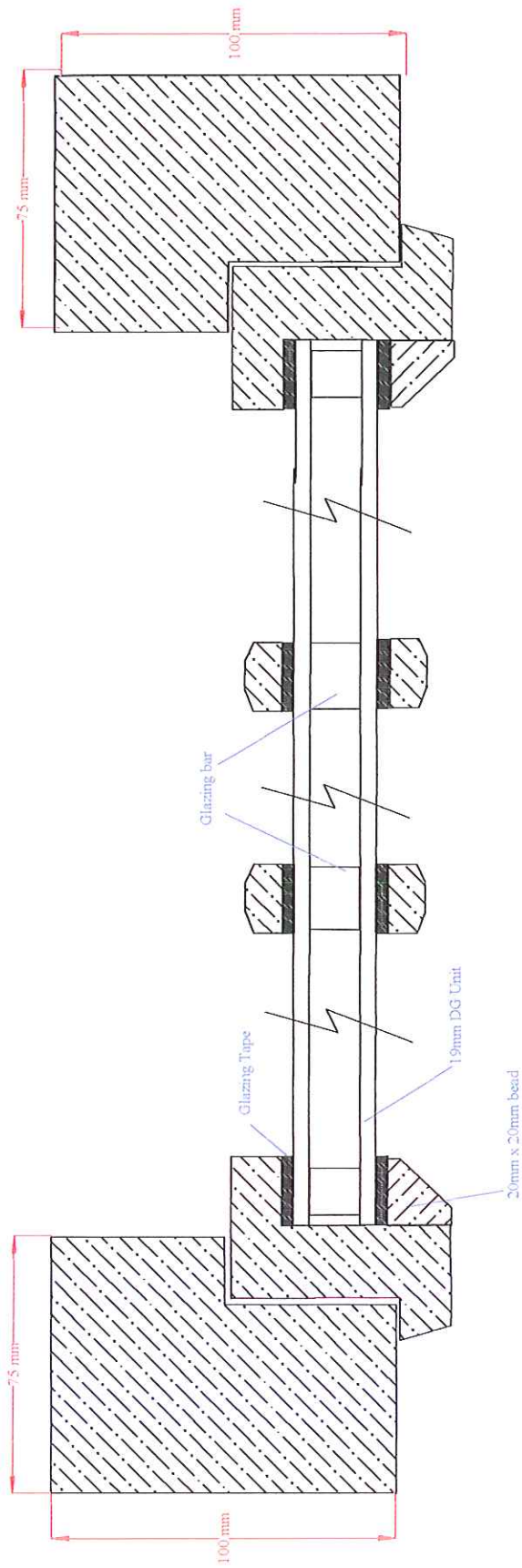
1:10

NYMNP
13 OCT 2010

34

NYM / 2010 / 0 8 3 8 / FE

Window F" Sash Cross section

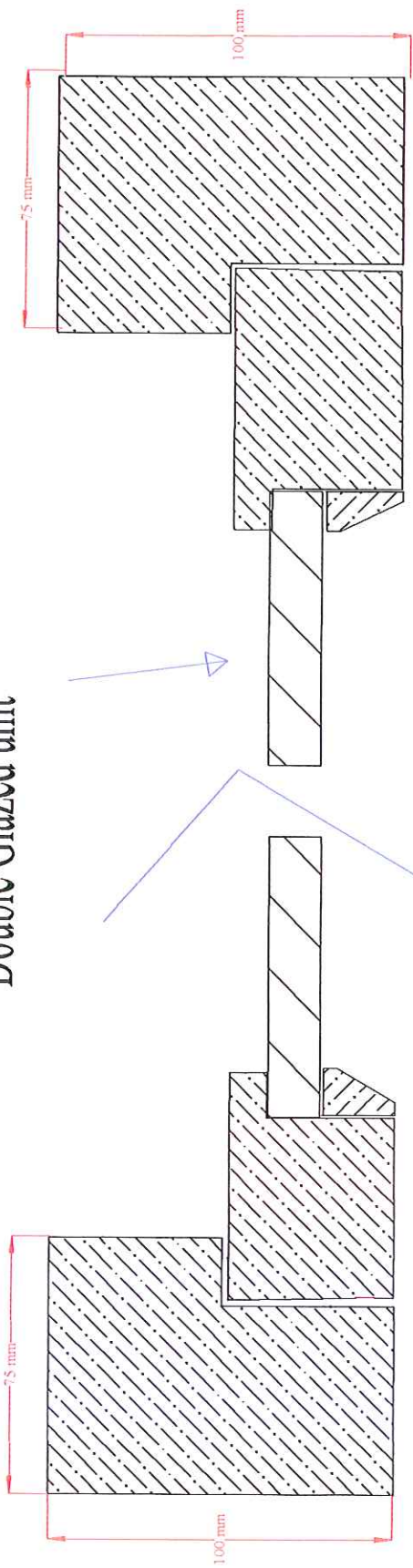


Scale 1:2

NYMNP
13 OCT 2010

Glazed Doors "C D and E"

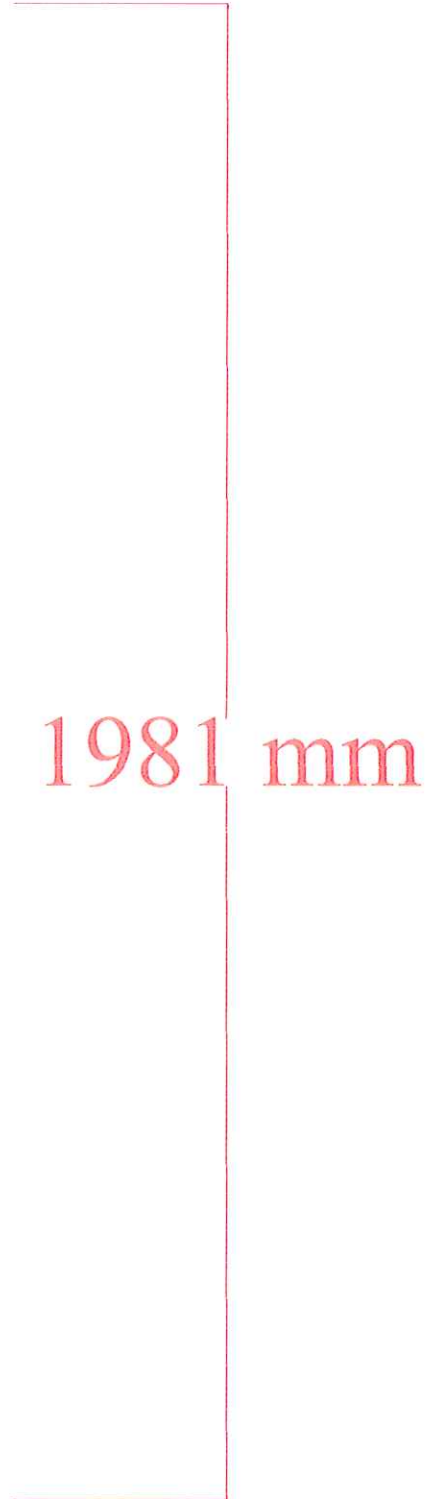
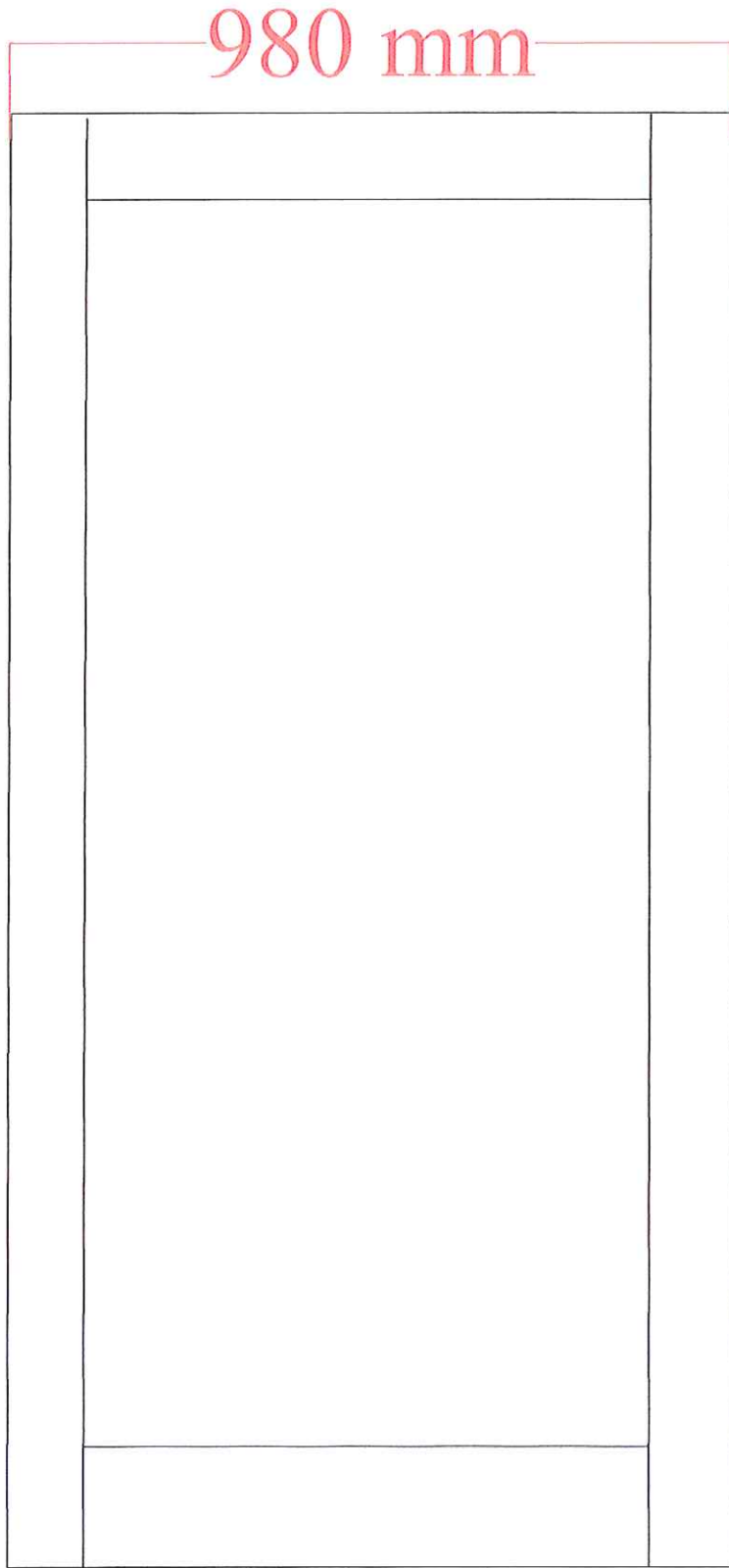
Double Glazed unit



Scale 1:2

NYMNSA
13 OCT 2010

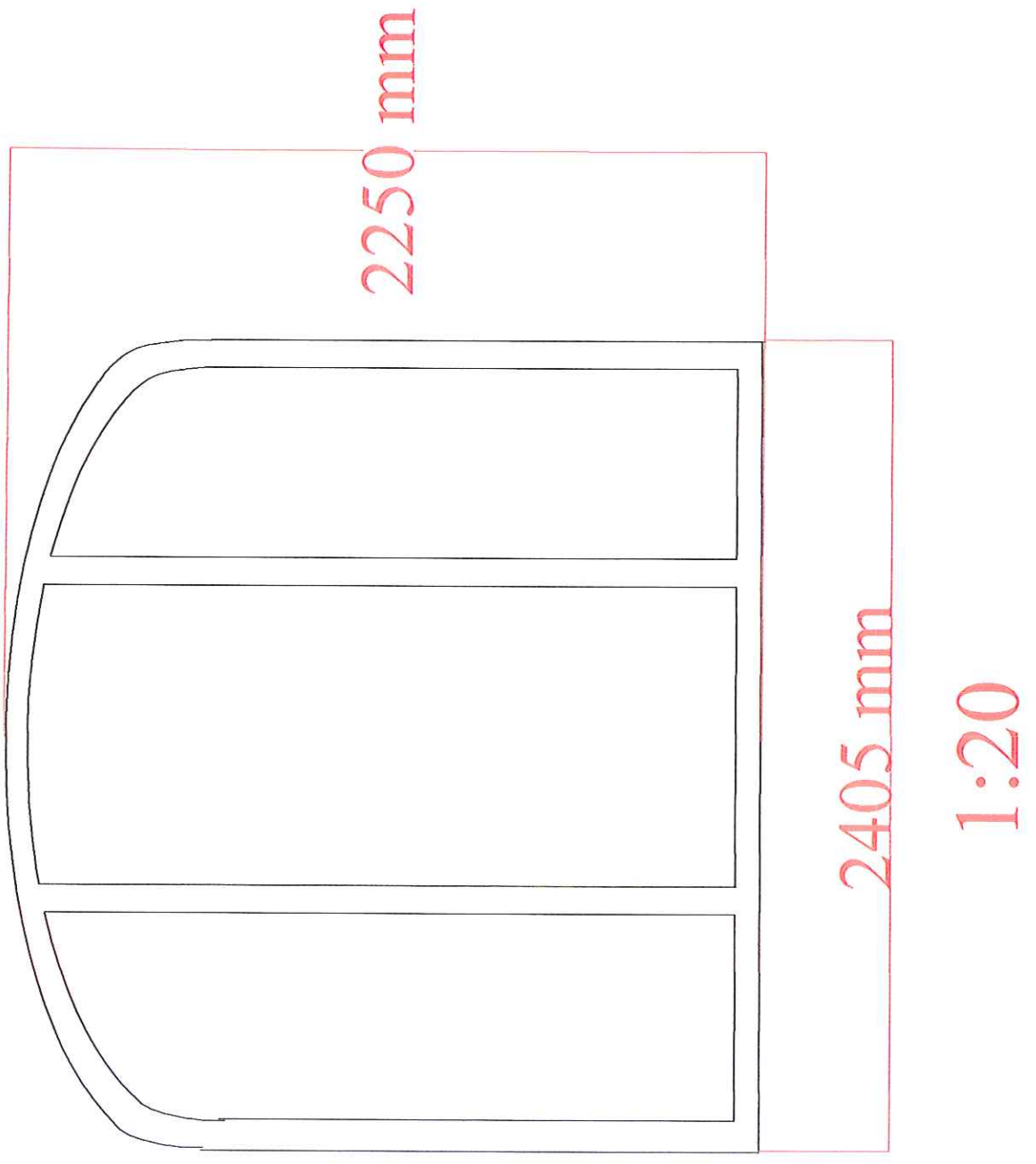
Glazed Door "C D and E"



1:10

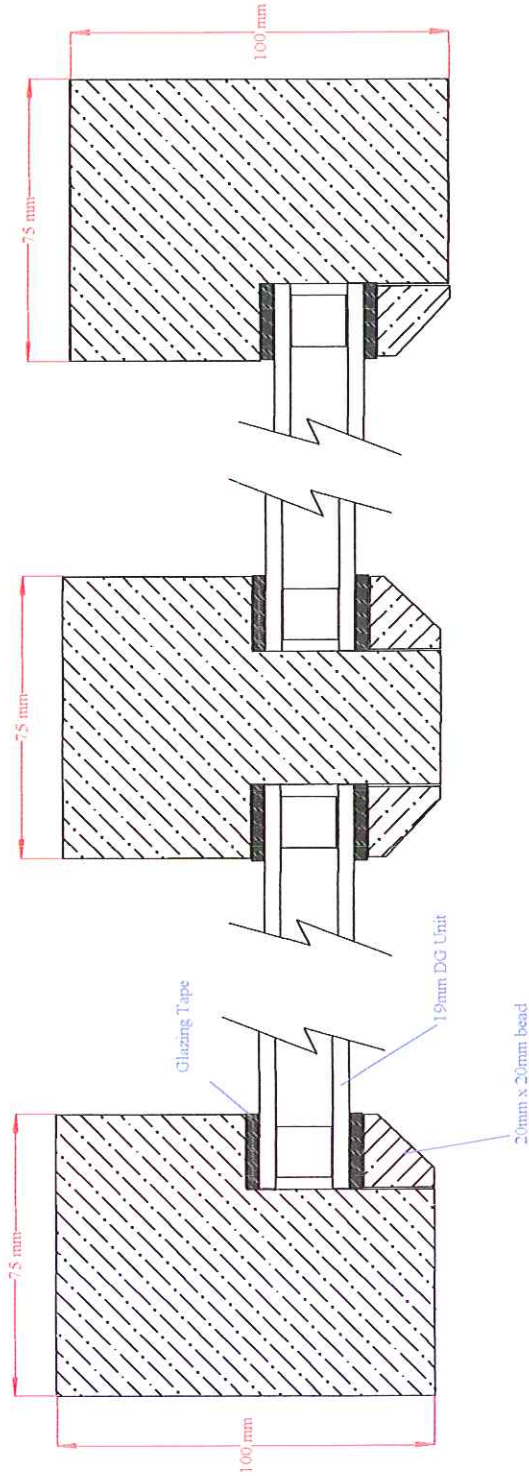
NYM/PA
13 OCT 2010

Arched Window B



NYM NPA
13 OCT 2010

Arched window "B" Cross section



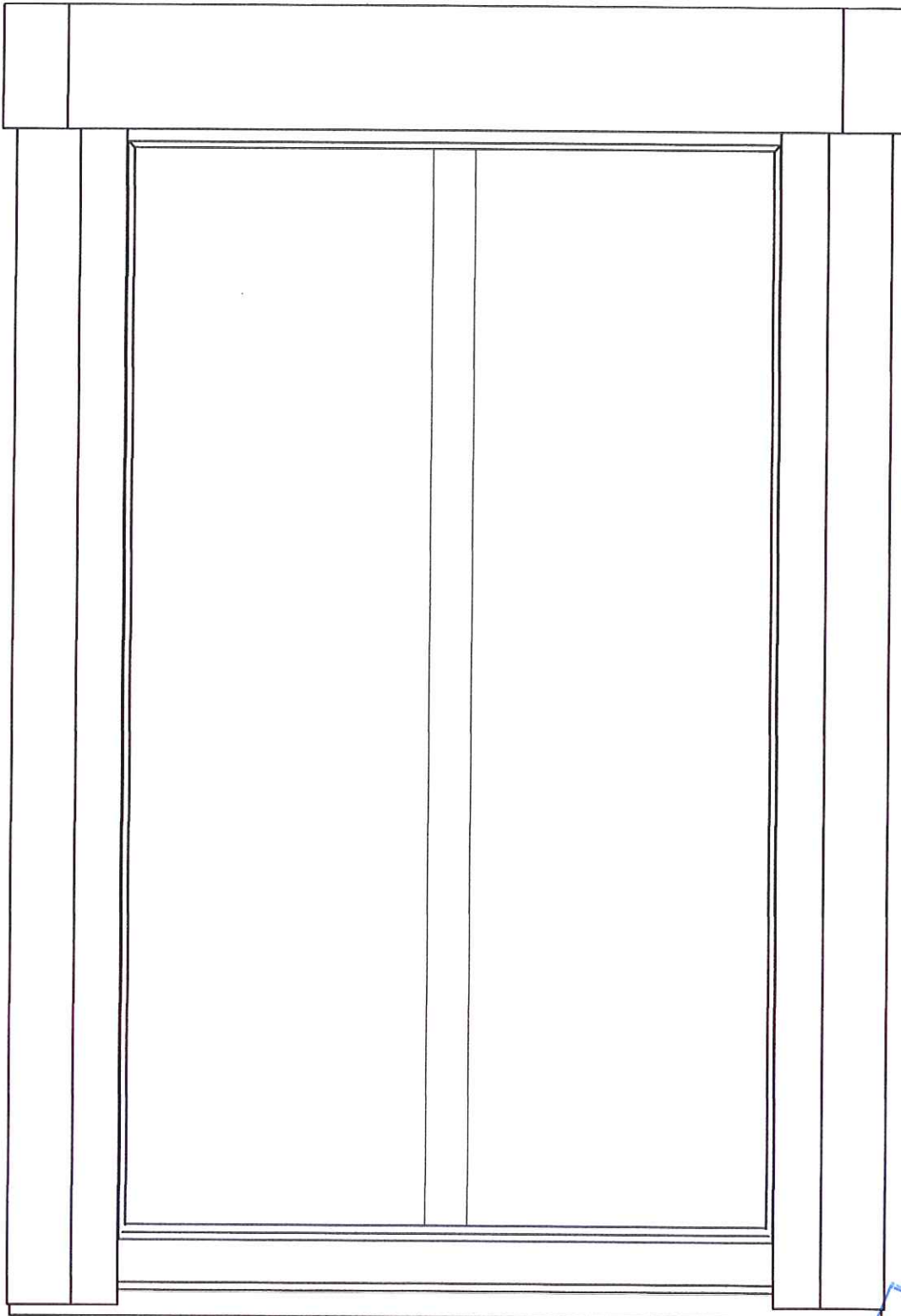
Scale 1:2

NYMNP
13 OCT 2010

(42)

NYM / 2010 / 0838 / FL

"Facro" Escape side hung conservation roof window



1:5

NYMNP
13 OCT 2010

41

NYM / 2010 / 0838 / FL



NYM/NPA
13 OCT 2010