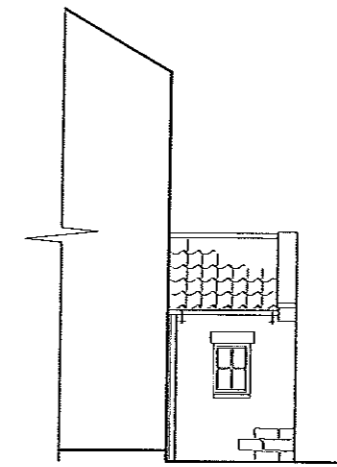




Proposed Elevation 1
Scale 1:100 at A3

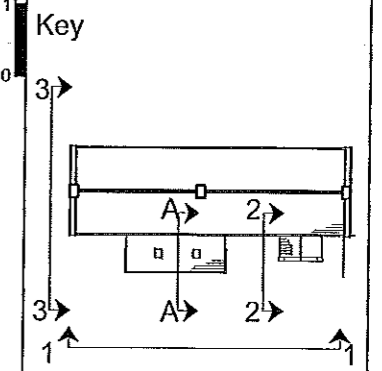


Proposed Elevation 2
Scale 1:100 at A3

5m
4
3
2
1
0
Key

Copyright Studio Stead

NOTES:
All dimensions to be checked on site, not scaled from this drawing.
Any discrepancies on this drawing with other contract documents to be reported immediately to the Contract Administrator for clarification.



NYMNP
06 JUN 2011

FOR PLANNING

B	040811	SS	final amendments further to client mtg
A	010811	SS	general amendments further to site visit
rev	date	by	comment

STUDIO STEAD
74a Stakesby Rd
Whitby N. Yorkshre
YO21 1LF

Client
Mike Hogarth

Job
Catwick Farm
Sneaton Thorpe
Whitby
YO22 5JF

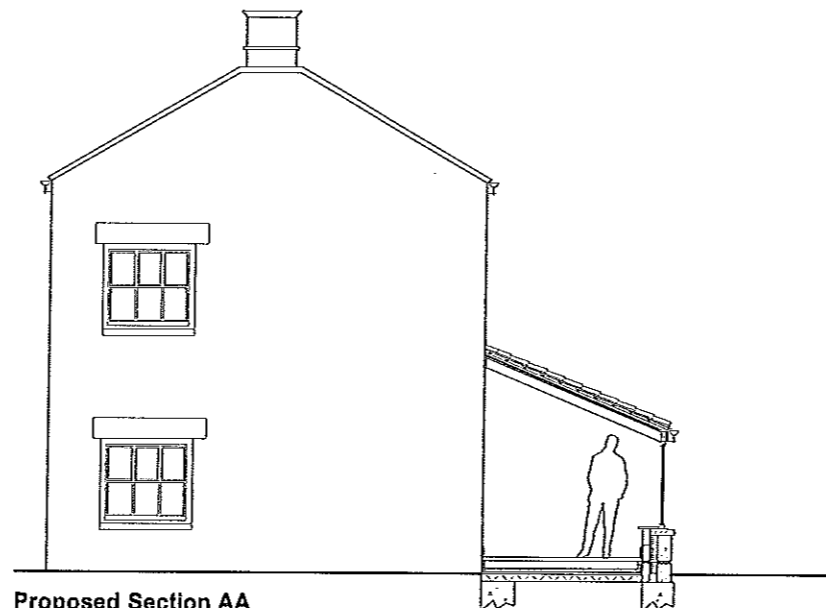
Drawing Title
Proposed Elevations and Section AA

Scale	1:100 & 1:50	@ A3
Date	May 2011	Drawn SS Issued SS

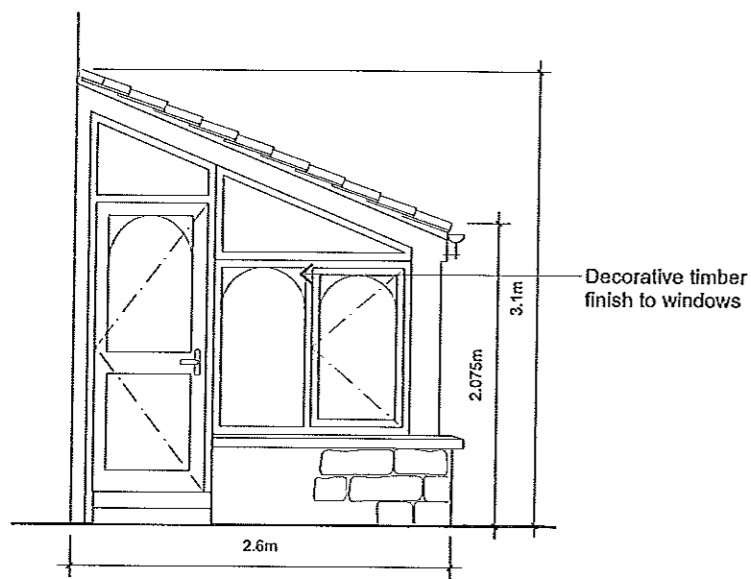
Drg. No.	023/ 04	Rev.	B
----------	---------	------	---



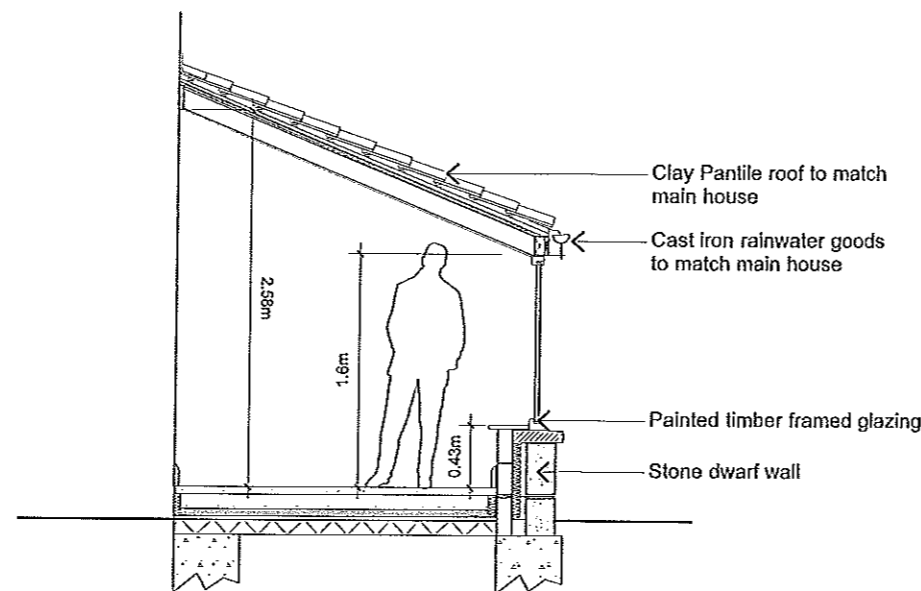
Proposed Elevation 3
Scale 1:100 at A3



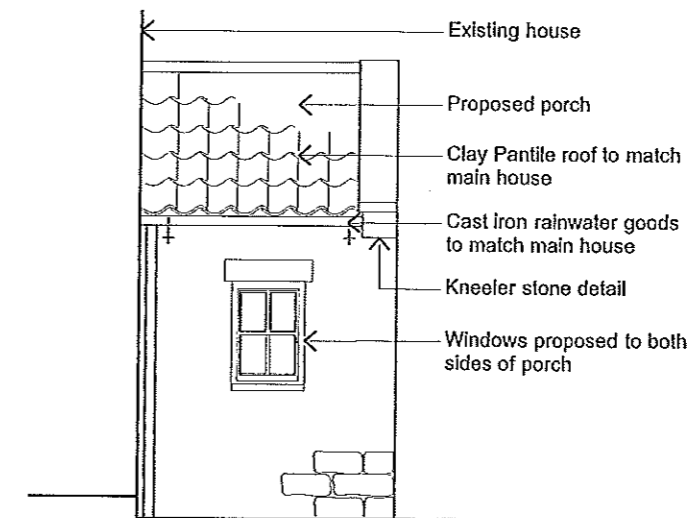
Proposed Section AA
Scale 1:100 at A3



Proposed Elevation 3
Scale 1:50 at A3



Proposed Section AA
Scale 1:50 at A3



Proposed Elevation 2
Scale 1:50 at A3

5m
4
3
2
1
0

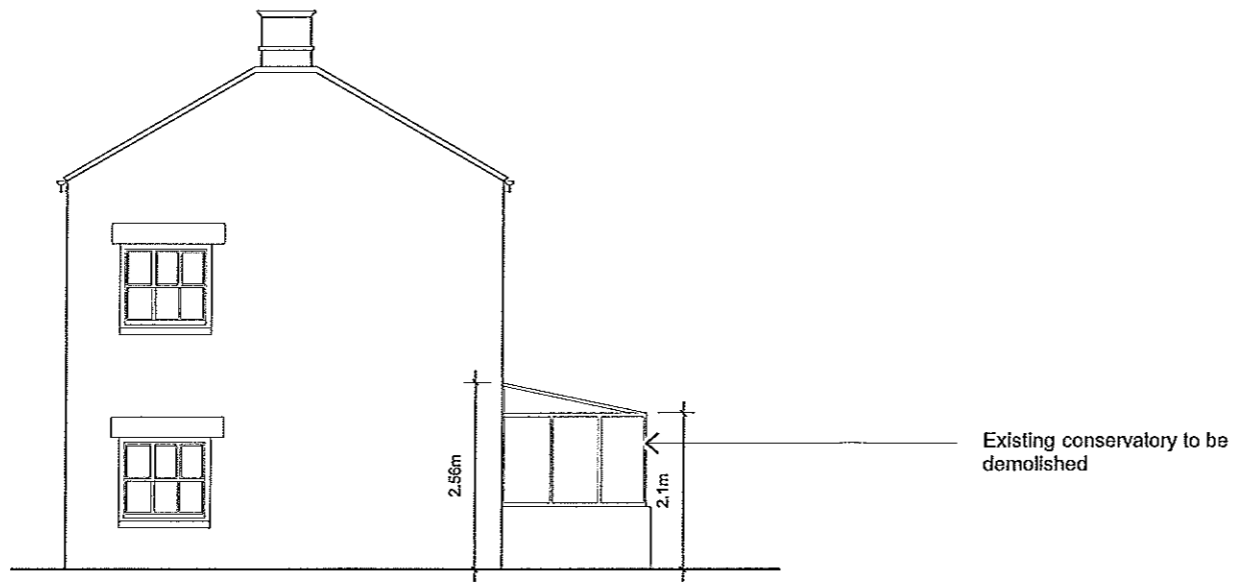
Copyright Studio Stead

NOTES:
All dimensions to be checked on site, not scaled from this drawing.
Any discrepancies on this drawing with other contract documents to be reported immediately to the Contract Administrator for clarification.

Key



Existing Front Elevation 1
Scale 1:100 at A3



Existing Side Elevation 3
Scale 1:100 at A3

NYMNPA
06 JUN 2011

FOR PLANNING

rev	date	by	comment	chko
A	010511	SS	general amendments further to site visit	

STUDIO STEAD
74a Slakesby Rd
Whitby N. Yorkshire
YO211JE

Client
Mike Hogarth

Job
Catwick Farm
Sneaton Thorpe
Whitby
YO22 5JF

Drawing Title
Existing Elevations

Scale 1:100	@ A3
Date May 2011	Drawn SS
	Issued SS
	Checked

Drg. No. 023/ 03	Rev. A
---------------------	-----------

Copyright Studio Stead

NOTES:
 All dimensions to be checked on site, not scaled from this drawing.
 Any discrepancies on this drawing with other contract documents to be reported immediately to the Contract Administrator for clarification.



NYMNP
 06 JUN 2011

FOR PLANNING

74a Stakesby Rd
 Whitby N. Yorkshire
 YO211JE

STUDIO STEAD

Client
 Mike Hogarth

Job
 Catwick Farm
 Sneaton Thorpe
 Whitby
 YO22 5JF

Drawing Title
 Existing and Proposed Plans

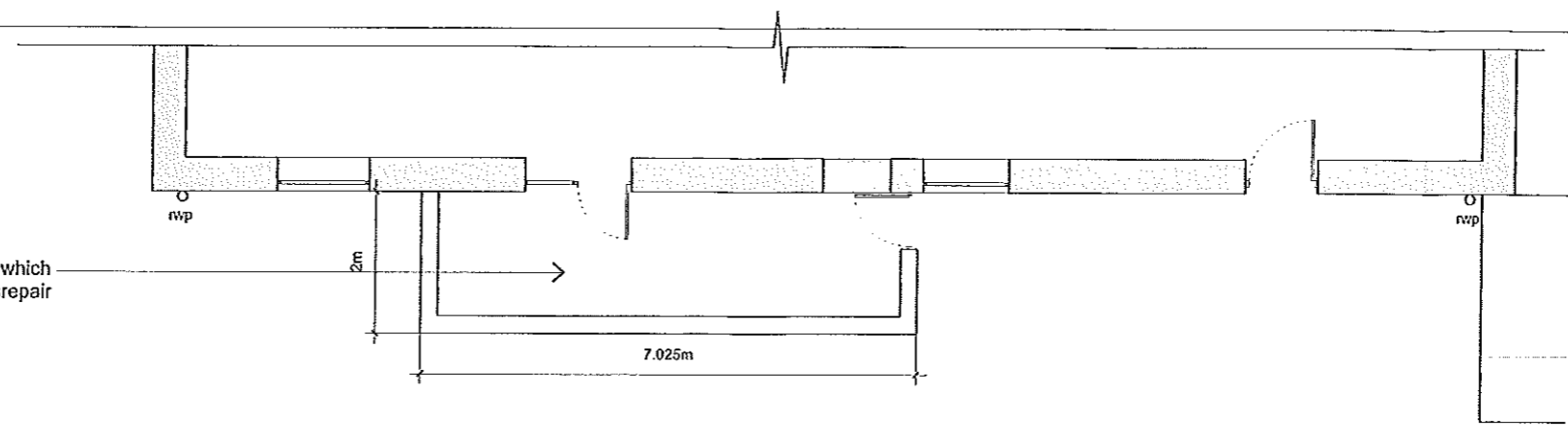
Scale 1:100 @ A3

Date May 2011	Drawn SS	Issued SS	Checked
------------------	-------------	--------------	---------

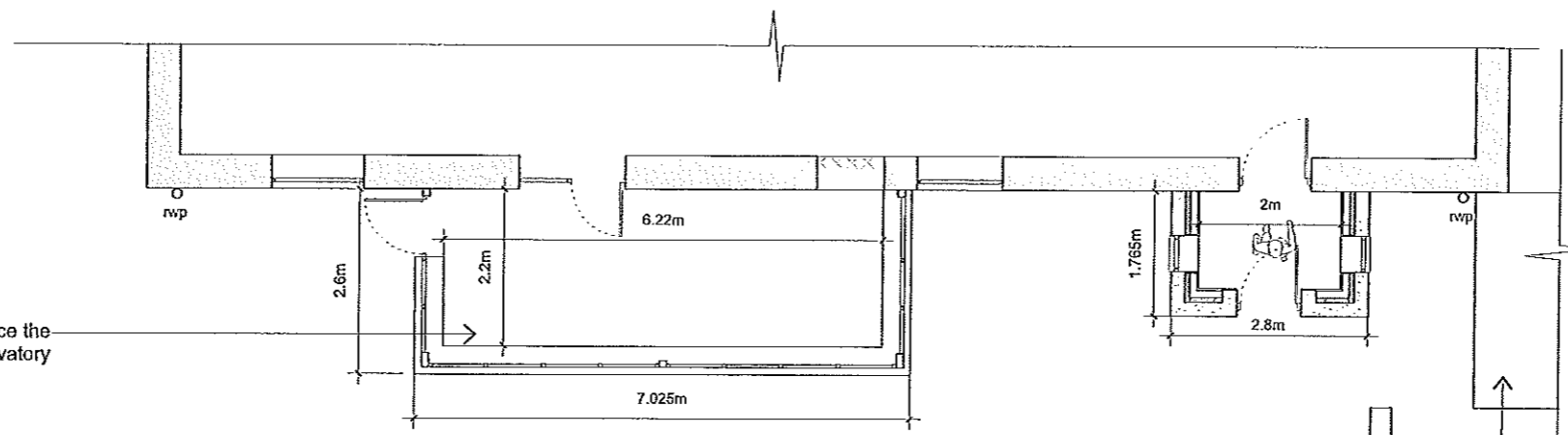
Dwg. No. 023/ 02	Rev. A
---------------------	-----------

Existing Plan
 Scale 1:100 at A3

Existing conservatory which is in a state of disrepair



Proposed conservatory to replace the existing conservatory



Outbuilding
 Garden wall

Garden hedge

Proposed Plan
 Scale 1:100 at A3

Proposed Roof Plan
 Scale 1:100 at A3

Clay pantile roof to match existing main roof
 Rooflights

