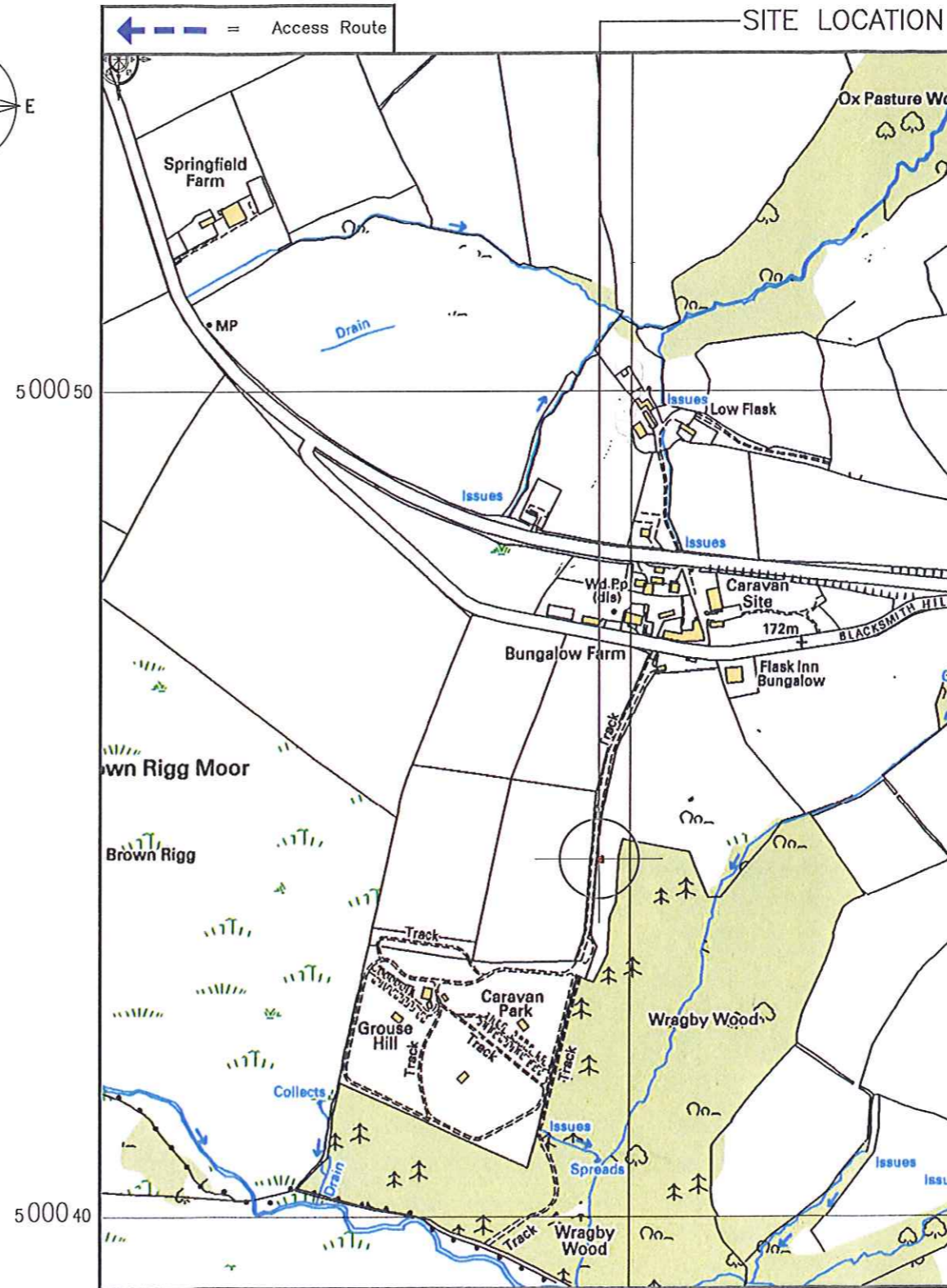
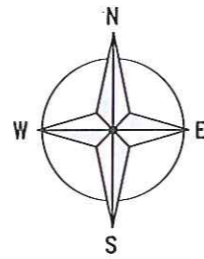


SITE LOCATION
(Scale 1:50000)

Ordnance Survey map extract based upon Landranger map series with the permission of the controller of Her Majesty's Stationery Office Licence No. 0100023487 Crown copyright.



SITE PHOTOGRAPH



DETAILED SITE LOCATION

(Scale 1:7500)
Based upon Ordnance Survey map extract with the permission of the Controller of Her Majesty's Stationery Office. Crown copyright. Licence No. 100020449

Notes:
1 ALL DIMENSIONS ARE IN MM UNLESS NOTED OTHERWISE

N.G.R E: 492960 N: 500428

NOTE:
BARRIER AT ENTRANCE WILL LIFT UP ON ENTRY.
ON EXIT PUNCH IN [0930#] INTO THE BOX

NYM / 2011 / 0239 / FL
NYM NPA
15 APR 2011

| | | | | |
|-----|---------------------|----|----|----------|
| A | Issued for Approval | LK | DW | 18.08.10 |
| REV | MODIFICATION | BY | CH | DATE |

CLARKE YULCOA

Head Office:
Power House, Senator Point,
South Boundary Road,
Knowsley Industrial Park,
Liverpool, L33 7RR
Tel: 0151 5464446
Fax: 0151 5471250

Design Office:
Partington House, Stock Lane,
Chadderton, Oldham, OL9 9EY
Tel: 0161 785 4500
Fax: 0161 785 4501
Web: www.clarke-energy.com

O2 **vodafone**

Cornerstone Project

| | |
|--------------------------|------|
| Cell Name | Opt. |
| GROUSE HILL CARAVAN PARK | - |

| | | |
|-------------|-------------|----------|
| Cell ID No | | |
| Cornerstone | Host | Sharer |
| (ID) 017071 | (VF) 006848 | (02) N/A |

Site Address / Contact Details

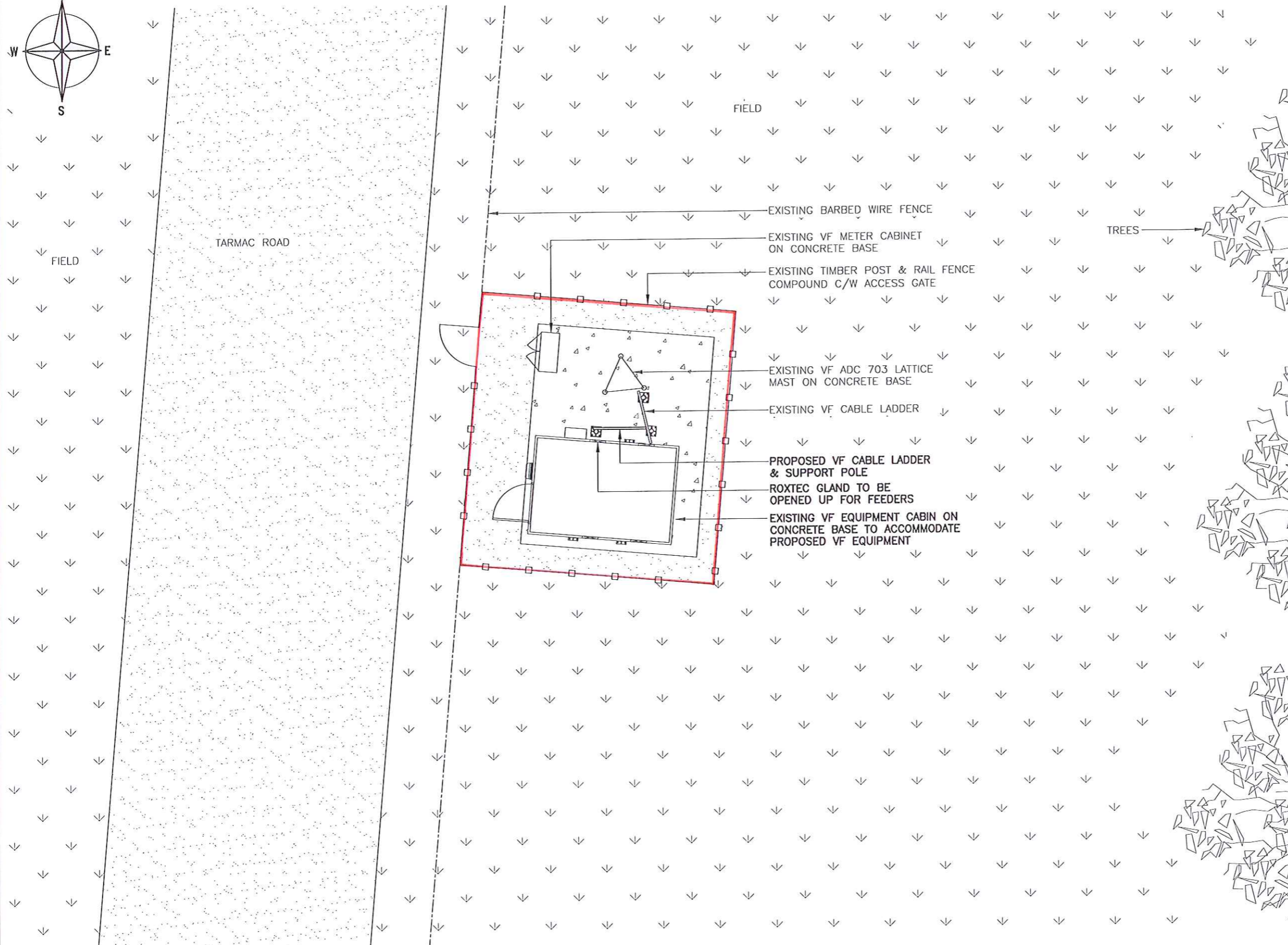
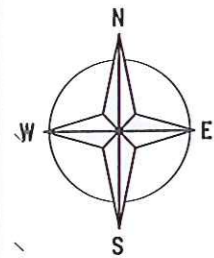
GROUSE HILL FARM
BLACKSMITH HILL
WHITBY
NORTH YORKSHIRE
YO22 4QH

Drawing Title: SITE LOCATION MAPS

Purpose of issue: PLANNING

Drawing Number: 100

| | | | |
|----------------------|----------|-----------|----------|
| Original Sheet size: | Drawn: | Date: | Issue: |
| A3 | LK | 18.08.10 | |
| Checked: | Date: | Approved: | Date: |
| DW | 18.08.10 | SS | 18.08.10 |



PROPOSED SITE PLAN
(1:100)

Notes:
1 ALL DIMENSIONS ARE IN MM UNLESS NOTED OTHERWISE

N.G.R E: 492960 N: 500428

LYN / 2011 / 0 2 3 9 / F L

NYMNP
15 APR 2011

| | | | | | |
|-----|---|---------------------|----|----|----------|
| REV | A | Issued for Approval | LK | DW | 18.08.10 |
| | | MODIFICATION | BY | CH | DATE |

CLARKE TELICOM

Head Office:
Power House, Senator Point,
South Boundary Road,
Knowsley Industrial Park,
Liverpool, L33 7RR
Tel: 0151 5464446
Fax: 0151 5471250

Design Office:
Portington House, Stock Lane,
Chadderton, Oldham, OL9 9EY
Tel: 0161 785 4500
Fax: 0161 785 4501
Web: www.clarks-energy.com

O2 **vodafone**
Cornerstone Project

| | |
|--------------------------|------|
| Cell Name | Opt. |
| GROUSE HILL CARAVAN PARK | - |

| | | |
|-------------|-------------|----------|
| Cell ID No | | |
| Cornerstone | Host | Sharer |
| (ID) 017071 | (VF) 006848 | (O2) N/A |

Site Address / Contact Details

GROUSE HILL FARM
BLACKSMITH HILL
WHITBY
NORTH YORKSHIRE
YO22 4QH

Drawing Title: PROPOSED SITE PLAN

Purpose of issue: PLANNING

Drawing Number: 200

| | | | |
|----------------------|----------|-----------|----------|
| Original Sheet size: | Drawn: | Date: | Issue: |
| A3 | LK | 18.08.10 | |
| Checked: | Date: | Approved: | Date: |
| DW | 18.08.10 | SS | 18.08.10 |
| | | | A |

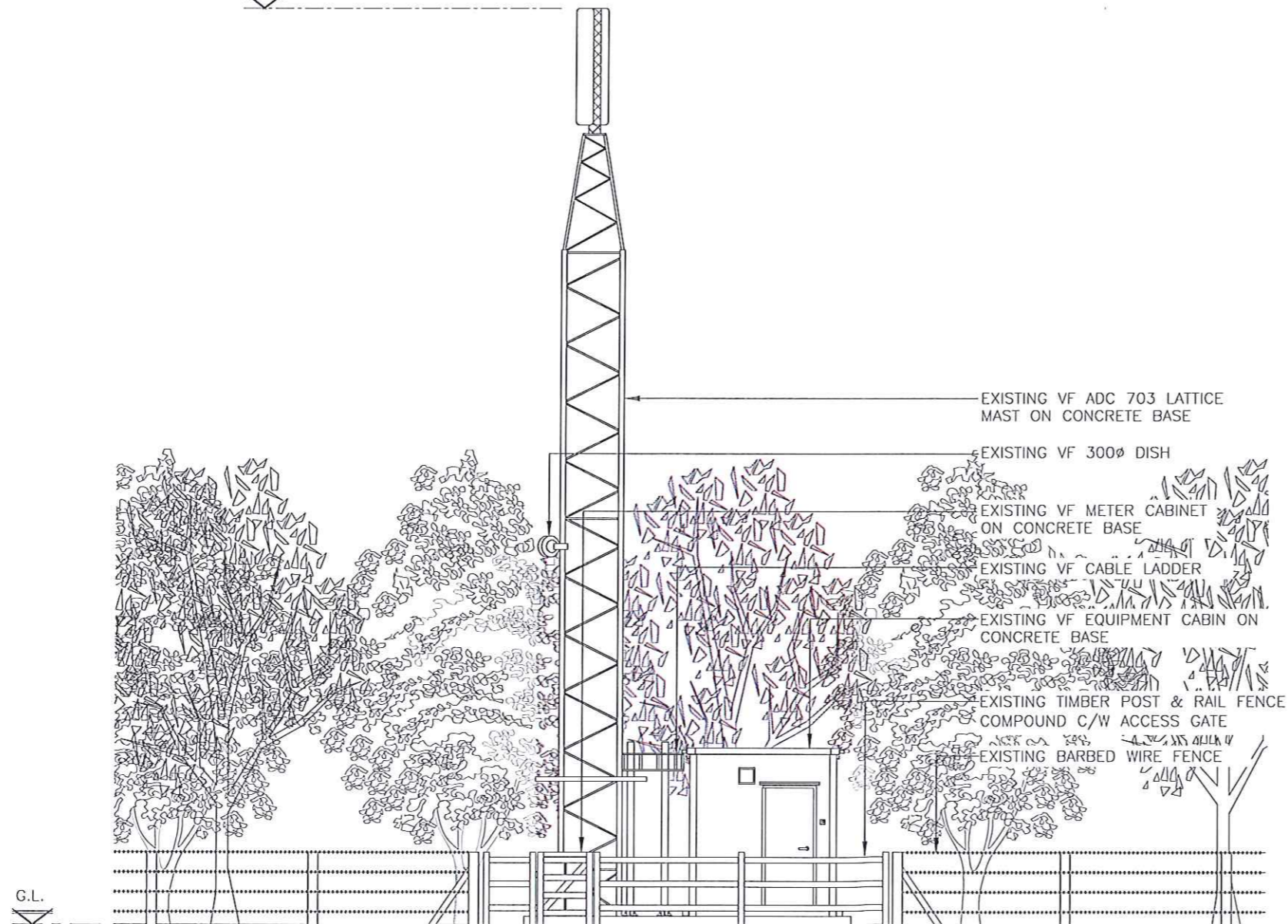
Notes:
1 ALL DIMENSIONS ARE IN MM UNLESS NOTED OTHERWISE

N.G.R E: 492960 N: 500428

NYM / 2011 / 0239 / FL

NYMNP
15 APR 2011

TOP OF MAST/EXISTING VF ANTENNAS
+15.75m AGL



EXISTING WEST ELEVATION
(1:100)

| REV | MODIFICATION | BY | CH | DATE |
|-----|---------------------|----|----|----------|
| A | Issued for Approval | LK | DW | 18.08.10 |

CLARKE TELCOM

Head Office:
Power House, Senlar Point,
South Boundary Road,
Knowsley Industrial Park,
Liverpool, L33 7RR
Tel: 0151 5464446
Fax: 0151 5471250

Design Office:
Portington House, Stock Lane,
Chadderton, Oldham, OL9 9EY
Tel: 0161 785 4500
Fax: 0161 785 4501
Web: www.clarke-energy.com

O2 **vodafone**

Cornerstone Project

| | |
|--------------------------|------|
| Cell Name | Opt. |
| GROUSE HILL CARAVAN PARK | - |

| | | |
|-------------|-------------|----------|
| Cell ID No | | |
| Cornerstone | Host | Sharer |
| (ID) 017071 | (VF) 006848 | (02) N/A |

Site Address / Contact Details

GROUSE HILL FARM
BLACKSMITH HILL
WHITBY
NORTH YORKSHIRE
YO22 4QH

| | | | |
|---|-------------------|-------------------|-------------------|
| Drawing Title: EXISTING SITE ELEVATION | | | |
| Purpose of issue: PLANNING | | | |
| Drawing Number: 300 | | | |
| Original Sheet size: A3 | Drawn: LK | Date: 18.08.10 | Issue: |
| Checked: DW | Date: 18.08.10 | Approved: SS | Date: 18.08.10 |

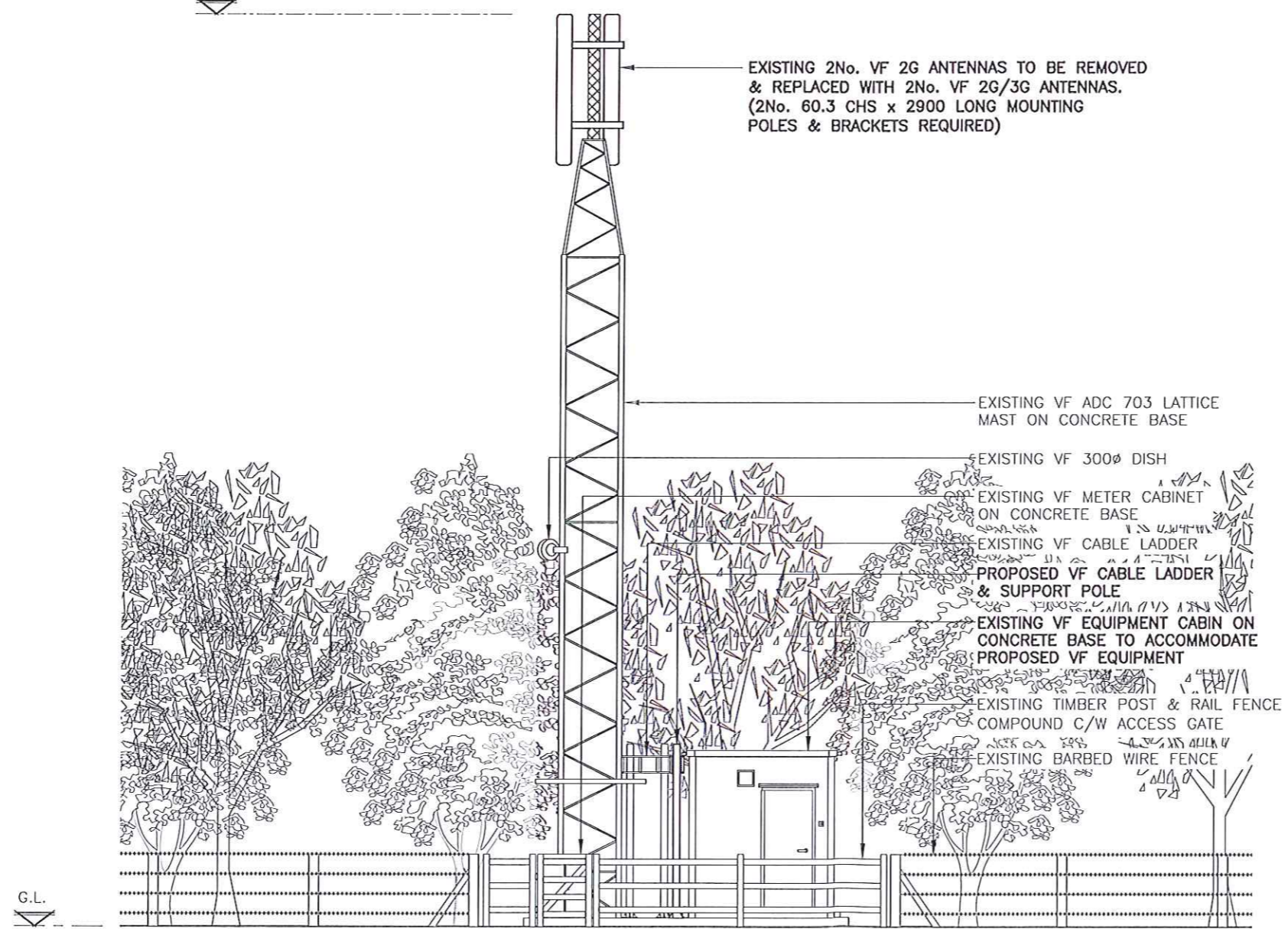
Notes:
1 ALL DIMENSIONS ARE IN MM UNLESS NOTED OTHERWISE

N.G.R | E: 492960 N: 500428

NYM 2011 / 0 2 3 9 / FL

NYMNPA
15 APR 2011

TOP OF EXISTING & PROPOSED VF ANTENNAS +15.75m AGL



EXISTING 2No. VF 2G ANTENNAS TO BE REMOVED & REPLACED WITH 2No. VF 2G/3G ANTENNAS. (2No. 60.3 CHS x 2900 LONG MOUNTING POLES & BRACKETS REQUIRED)

EXISTING VF ADC 703 LATTICE MAST ON CONCRETE BASE

EXISTING VF 300Ø DISH

EXISTING VF METER CABINET ON CONCRETE BASE

EXISTING VF CABLE LADDER

PROPOSED VF CABLE LADDER & SUPPORT POLE

EXISTING VF EQUIPMENT CABIN ON CONCRETE BASE TO ACCOMMODATE PROPOSED VF EQUIPMENT

EXISTING TIMBER POST & RAIL FENCE COMPOUND C/W ACCESS GATE

EXISTING BARBED WIRE FENCE

PROPOSED WEST ELEVATION
(1:100)

| | | | | |
|-----|------------------------------|----|----|----------|
| REV | MODIFICATION | BY | CH | DATE |
| B | Antenna fixing notes revised | LK | - | 24.11.10 |
| A | Issued for Approval | LK | DW | 18.08.10 |

CLARKE ENERGY
Head Office:
Power House, Sanctor Point,
South Boundary Road,
Knowsley Industrial Park,
Liverpool, L33 7RR
Tel: 0151 5464446
Fax: 0151 5471250

Design Office:
Partington House, Stock Lane,
Chadderton, Oldham, OL9 9EY
Tel: 0161 785 4500
Fax: 0161 785 4501
Web: www.clarke-energy.com

O2 **vodafone**
Cornerstone Project

| | |
|--------------------------|------|
| Cell Name | Opt. |
| GROUSE HILL CARAVAN PARK | - |

| | | |
|-------------|-------------|----------|
| Cell ID No | | |
| Cornerstone | Host | Sharer |
| (ID) 017071 | (VF) 006848 | (O2) N/A |

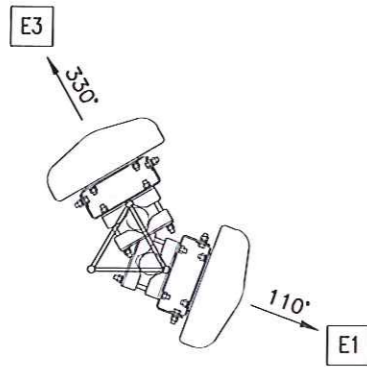
Site Address / Contact Details
GROUSE HILL FARM
BLACKSMITH HILL
WHITBY
NORTH YORKSHIRE
YO22 4QH

Drawing Title: PROPOSED SITE ELEVATION
Purpose of issue: PLANNING

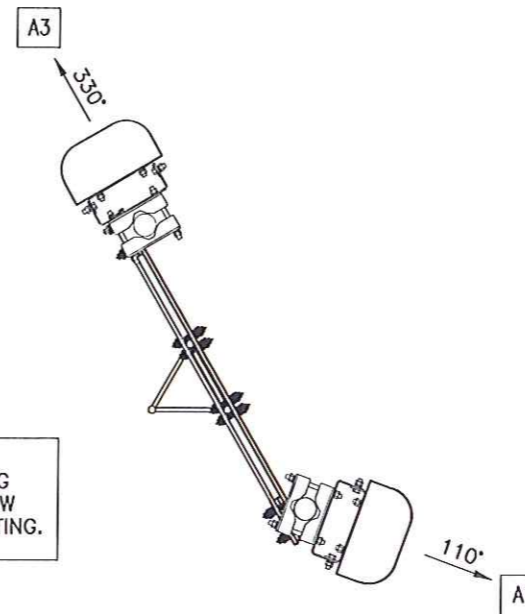
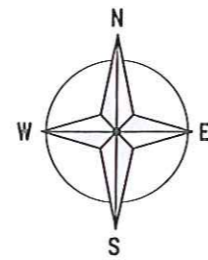
Drawing Number: 301

| | | | |
|----------------------------|-------------------|-------------------|-------------------|
| Original Sheet size: A3 | Drawn: LK | Date: 18.08.10 | Issue: B |
| Checked: DW | Date: 18.08.10 | Approved: SS | Date: 18.08.10 |

The drawings comply with O2 & Vodafone Standard ICNIRP guidelines.
Designed in accordance with Cornerstone document: CORN/09/006



EXISTING VF ANTENNA PLAN
(1:20)



PROPOSED VF ANTENNA PLAN
(1:20)

NOTE:
2No. NEW 60.3 CHS x 2900 LONG
MOUNTING POLES REQUIRED & NEW
BRACKETS FOR HEADFRAME MOUNTING.

Notes:
1 ALL DIMENSIONS ARE IN MM UNLESS NOTED OTHERWISE

N.G.R E: 492960 N: 500428

NYM / 2011 / 0239 / FL



| REV | MODIFICATION | BY | CH | DATE |
|-----|------------------------------|----|----|----------|
| B | Antenna fixing notes revised | LK | - | 24.11.10 |
| A | Issued for Approval | LK | DW | 18.08.10 |

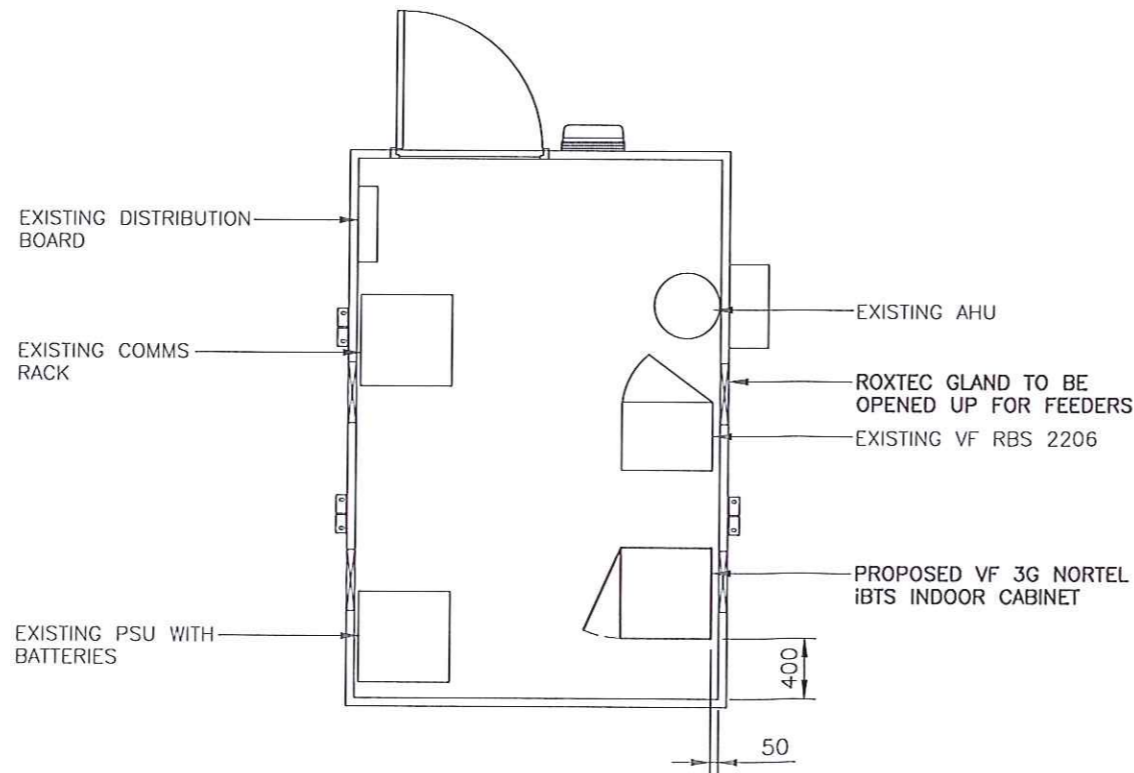
CLARKE TELCOM

Head Office:
Power House, Senator Point,
South Boundary Road,
Knowsley Industrial Park,
Liverpool, L33 7RR
Tel: 0151 5464446
Fax: 0151 5471250

Design Office:
Partington House, Stock Lane,
Chadderton, Oldham, OL9 9EY
Tel: 0161 785 4500
Fax: 0161 785 4501
Web: www.clarke-energy.com

O2 **vodafone**

Cornerstone Project



EQUIPMENT LAYOUT
(1:50)

Cell Name Opt.

GROUSE HILL CARAVAN PARK -

Cell ID No

| Cornerstone | Host | Sharer |
|-------------|-------------|----------|
| (ID) 017071 | (VF) 006848 | (O2) N/A |

Site Address / Contact Details

GROUSE HILL FARM
BLACKSMITH HILL
WHITBY
NORTH YORKSHIRE
YO22 4QH

Drawing Title:
ANTENNA & EQUIPMENT LAYOUT

Purpose of issue:
PLANNING

Drawing Number:
400

| Original Sheet size: | Drawn: | Date: | Issue: |
|----------------------|----------------|--------------|----------------|
| A3 | LK | 18.08.10 | B |
| Checked: DW | Date: 18.08.10 | Approved: SS | Date: 18.08.10 |

| EXISTING ANTENNA KEY | | | | | | | | | | | | FEEDER KEY | | | | | | | |
|-----------------------|----------|-----------|----------|--------------|---------|---------|---------------------|---------------------|-------------------|----------|--------|------------|------|--------|----------------|----------|----------------------|-------------------|----------|
| EXISTING/ PROPOSED | OPERATOR | ANT. REF. | FUNCTION | QUANTUM CODE | VPN | BEARING | HEIGHT TO TOP | HEIGHT TO U/S | HEIGHT TO Ø | POSITION | STATUS | TYPE | SIZE | LENGTH | No. OF FEEDERS | | DIPLEX OR TRIPLEX | MHA(s)/ ASC(s) | COMMENTS |
| | | | | | | | | | | | | | | | EXISTING | PROPOSED | | | |
| EXISTING | VF | E1 | 1G9 | -- | 302-832 | 110° | 15.75m | 13.75m | -- | N/A | REMOVE | COAX | 7/8" | 20m | 2 | -- | -- | -- | -- |
| EXISTING | VF | E3 | 3G9 | -- | 302-832 | 330° | 15.75m | 13.75m | -- | N/A | REMOVE | COAX | 7/8" | 20m | 2 | -- | -- | -- | -- |

| PROPOSED ANTENNA KEY | | | | | | | | | | | | FEEDER KEY | | | | | | | |
|-----------------------|----------|-----------|----------|--------------|--------|---------|---------------------|---------------------|-------------------|----------|--------|------------|------|--------|----------------|----------|----------------------|-------------------|----------|
| EXISTING/ PROPOSED | OPERATOR | ANT. REF. | FUNCTION | QUANTUM CODE | VPN | BEARING | HEIGHT TO TOP | HEIGHT TO U/S | HEIGHT TO Ø | POSITION | STATUS | TYPE | SIZE | LENGTH | No. OF FEEDERS | | DIPLEX OR TRIPLEX | MHA(s)/ ASC(s) | COMMENTS |
| | | | | | | | | | | | | | | | EXISTING | PROPOSED | | | |
| PROPOSED | VF | A1 | 1G9 | 65XV7V6MR26K | 802057 | 110° | 15.75m | 13.15m | -- | N/A | NEW | COAX | 7/8" | 20m | 2 | -- | -- | -- | -- |
| | VF | | 1U21 | | | | | | | | | COAX | 7/8" | 20m | -- | 2 | -- | ALCATEL | -- |
| PROPOSED | VF | A3 | 3G9 | 65XV7V6MR26K | 802057 | 330° | 15.75m | 13.15m | -- | N/A | NEW | COAX | 7/8" | 20m | 2 | -- | -- | -- | -- |
| | VF | | 3U21 | | | | | | | | | COAX | 7/8" | 20m | -- | 2 | -- | ALCATEL | -- |

| SUPPORT STRUCTURE SCHEDULE | | | | | | |
|----------------------------|--------------|---------|--------|--------|--------|-------------------------------|
| EXISTING/ PROPOSED | MANUFACTURER | TYPE | HEIGHT | COLOUR | STATUS | COMMENTS |
| EXISTING | ALAN DICK | ADC 703 | 12.0m | GALV | REMAIN | NEW 60.3 CHS POLES & BRACKETS |
| | | | | | | |

| EQUIPMENT SCHEDULE | | | | | | | |
|-----------------------|----------|--------------|----------|--------------|----------|--------|----------|
| EXISTING/ PROPOSED | OPERATOR | MANUFACTURER | TYPE | SIZE | COLOUR | STATUS | COMMENTS |
| EXISTING | VF | ERICSSON | RBS 2206 | 600x450x1827 | GREY | REMAIN | -- |
| EXISTING | VF | -- | PSU | -- | GREY | REMAIN | -- |
| PROPOSED | VF | NORTEL | iBTS | 600x600x1650 | STANDARD | NEW | -- |

| POWER SUPPLY SOURCE | | | | | | | |
|-----------------------|----------|--------------|---------------|---------------|----------|----------|----------------------------------|
| EXISTING/ PROPOSED | OPERATOR | MANUFACTURER | TYPE | SIZE | COLOUR | STATUS | COMMENTS |
| EXISTING | VF | Tyrone | Meter cabinet | 1000x450x1200 | Standard | Existing | -- |
| PROPOSED | VF | Existing | Meter cabinet | Existing | Existing | Existing | Sourced from existing VF cabinet |

| ANTENNA REFERENCE KEY | |
|-----------------------|--------------------|
| A= | ANTENNA GROUP |
| 1= | CELL No. (1, 2, 3) |

| DUAL BAND EXAMPLE | | | |
|-------------------|----------|------|----------|
| | OPERATOR | ANT. | FUNCTION |
| PROPOSED | O2 | A1 | 1G9 |
| PROPOSED | O2 | A1 | 1U21 |

| FUNCTION KEY | |
|--------------|----------------------|
| 1= | SECTOR (1, 2, 3 etc) |
| G= | GSM |
| 9= | 900 BAND |
| 18= | 1800 BAND |
| 21= | 2100 BAND |
| U= | UMTS |

Notes:
1 ALL DIMENSIONS ARE IN MM UNLESS NOTED OTHERWISE

N.G.R | E: 492960 N: 500428

CONCESSION REQUIRED | NO

NYM / 2011 / 0 2 3 9 / FL 1

NYMNP
15 APR 2011

| | | | | |
|-----|---|----|----|----------|
| B | Antenna fixing notes/feeder types rev'd | LK | -- | 24.11.10 |
| A | Issued for Approval | LK | DW | 18.08.10 |
| REV | MODIFICATION | BY | CH | DATE |

Head Office:
Power House, Senator Point,
South Boundary Road,
Knowsley Industrial Park,
Liverpool, L33 7RR
Tel: 0151 5464446
Fax: 0151 5471250

Design Office:
Partington House, Stock Lane,
Chadderton, Oldham, OL9 9EY
Tel: 0161 785 4500
Fax: 0161 785 4501
Web: www.clarke-energy.com




Cornerstone Project

| | | |
|--|-------------------|-------------------|
| Cell Name | | Opt. |
| GROUSE HILL CARAVAN PARK | | -- |
| Cell ID No | | |
| Cornerstone | Host | Sharer |
| (ID) 017071 | (VF) 006848 | (O2) N/A |
| Site Address / Contact Details | | |
| GROUSE HILL FARM BLACKSMITH HILL WHITBY NORTH YORKSHIRE YO22 4QH | | |
| Drawing Title: ANTENNA & EQUIPMENT SCHEDULES | | |
| Purpose of issue: PLANNING | | |
| Drawing Number: 500 | | |
| Original Sheet size: A3 | Drawn: LK | Date: 18.08.10 |
| Checked: DW | Date: 18.08.10 | Issue: B |
| Approved: SS | Date: 18.08.10 | |