

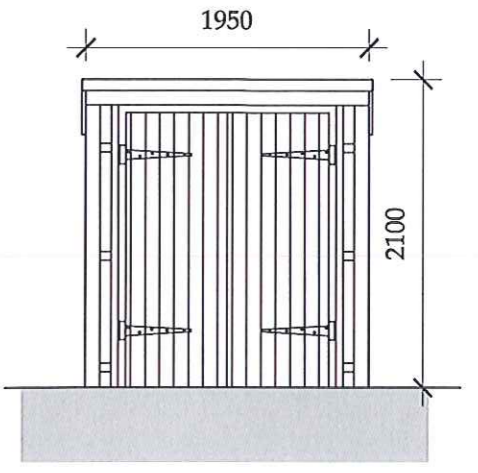
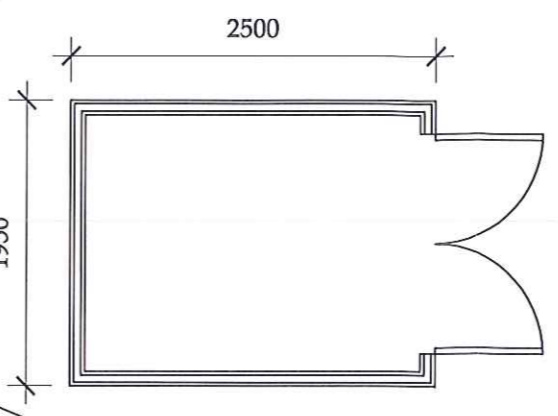
NYM/PA
22 JUN 2012

Block Plan

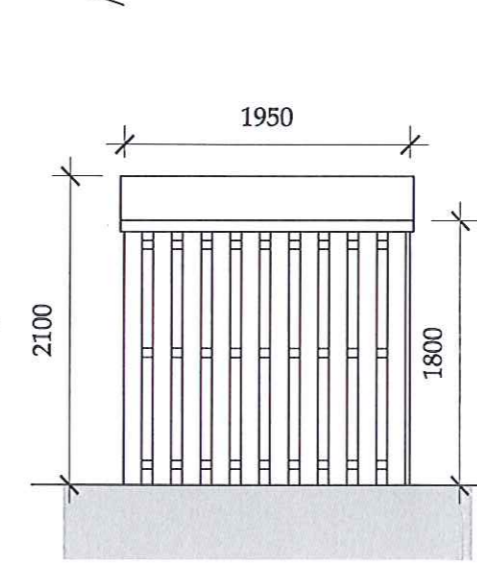
Scale 1:200

Floor Plan

Scale 1:50

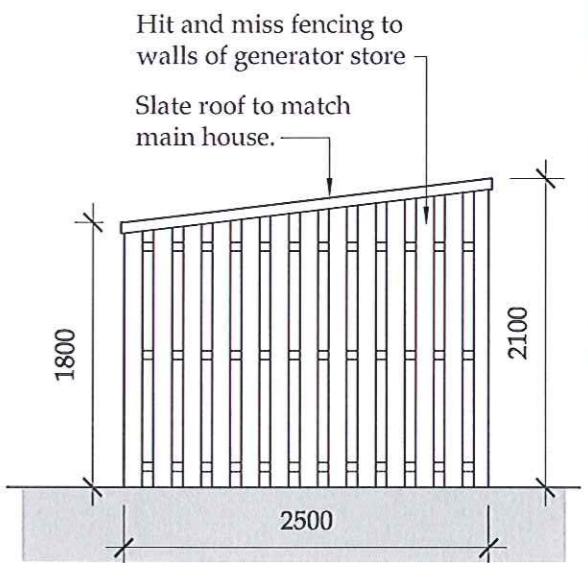


Front Elevation of Store



Rear Elevation of Store

Scale 1:50



Side Elevation of Store

DO NOT SCALE from this drawing. Only figured dimensions are to be taken from this drawing.
The Contractor must verify all dimensions on site before commencing any work or shop drawings.
The Contractor must report any discrepancies before commencing work. If this drawing exceeds the quantities taken in any way, the Technician is to be informed before work is initiated.
Work within The Construction (Design and Management) Regulations 1994 is not to start until a Health & Safety Plan has been produced. This drawing is Copyright and must not be reproduced without consent of BHD Partnership Ltd

REV	DATE	BY	AMENDMENT	CHKD	APVD
F	22.06.12	CE	Amended to suit NP		
E	21.06.12	CE	Altered to suit NP		
D	11.06.12	CE	Red line added to septic tank		
C	30.05.12	CE	Altered to suit building control		
B	14.05.12	CE	Drwg amended as client instruction/sketch		
A	31.03.11	CE	ISSUED OR APPROVAL		

CLIENT: MR T & MRS S COLE		
PROJECT: BARN CONVERSION AT HIGH BARNES, LAITHES, WHITBY		
A3	DRN: C EYNON	DATE: 31.03.11
SCALE: 1:200@A3 ISSUE: PLANNING		

DRAWING TITLE: BLOCK PLAN	
DRAWING NR: D9940-06	REV: F

b h d partnership
Airy Hill Manor, Whitby, North Yorkshire, UK, YO21 1QB.
Tel: 01947-604871 Fax: 01947-600010
general@bhdpartnership.com www.bhdpartnership.com