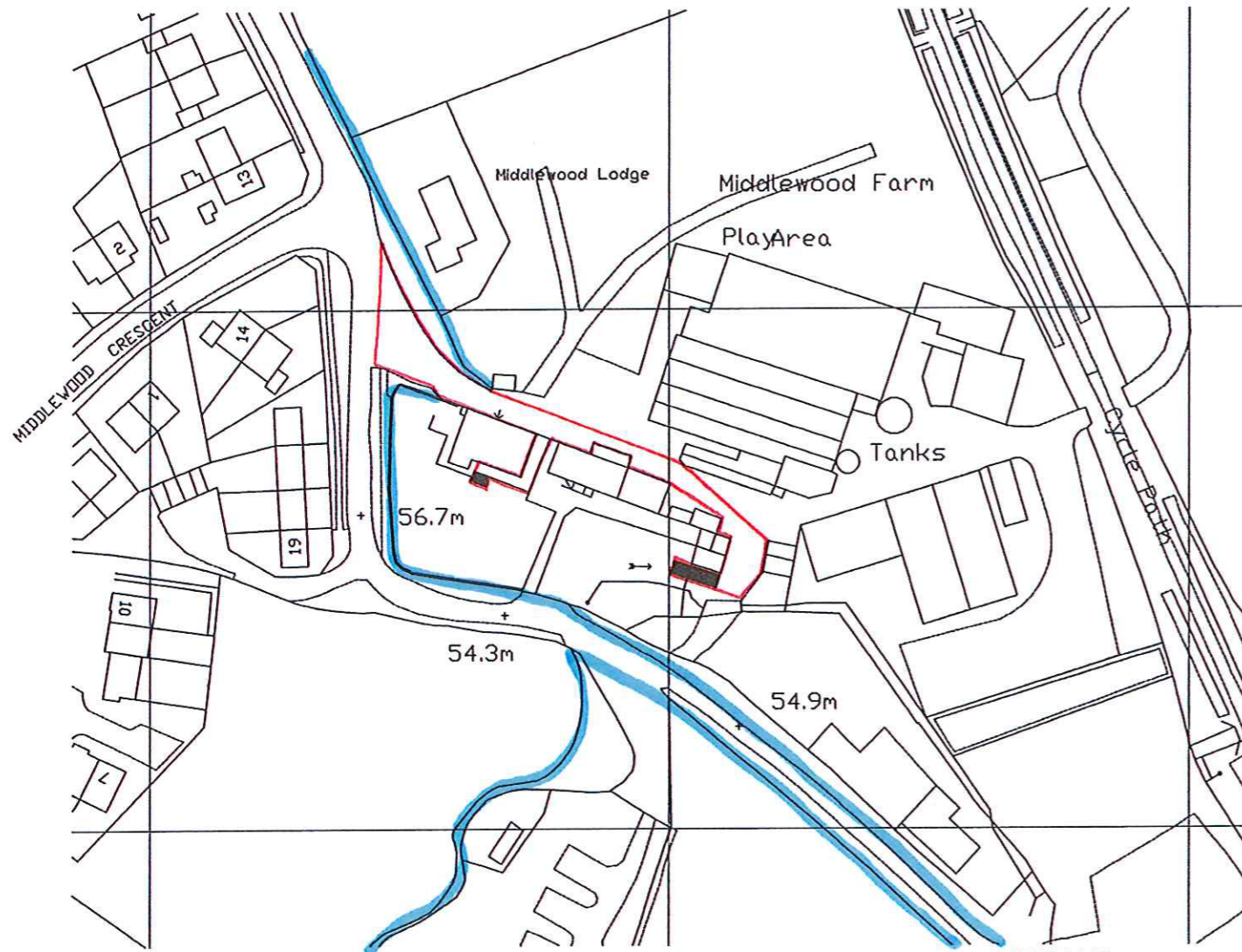


NYMNPA

31 JUL 2013



Ordnance Survey (c) Crown Copyright 2011. All rights reserved. Licence number 100020449

AMENDED

Notes

Ian Pick BSc (Hons) MRICS
Llewellyn House
Middle Street
Kilham
Driffeld
East Yorkshire
YO25 4RL



**Ian Pick
Associates**

CLIENT

P Beeforth
Middlewood Farm
Fylingthorpe
Robin Hoods Bay
Whitby, YO22 4UF

JOB TITLE

Biomass Boiler and Drying Room

SCALE

1:1250

Rev

-

DWG. TITLE

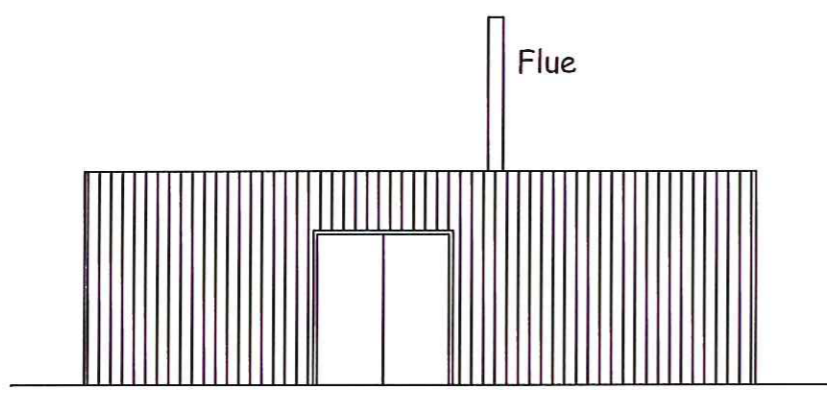
Location Plan

DWG. NUMBER

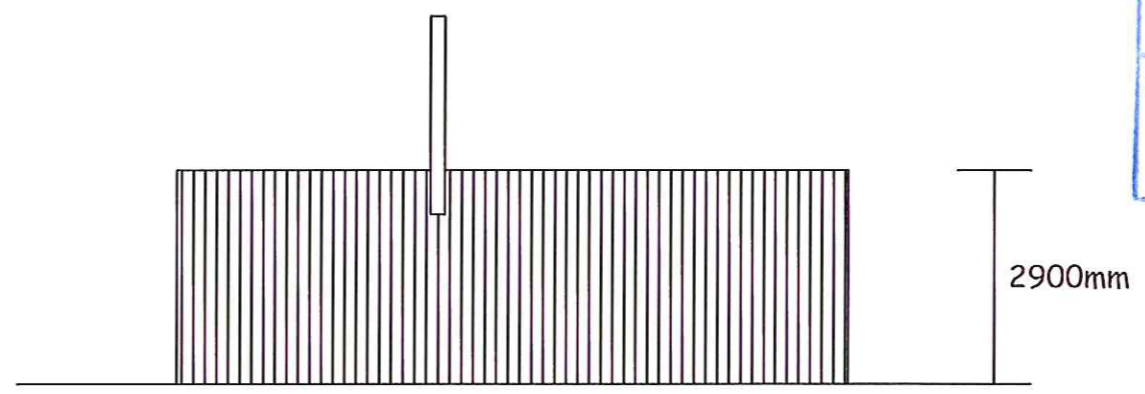
IP/PB/01a

DATE

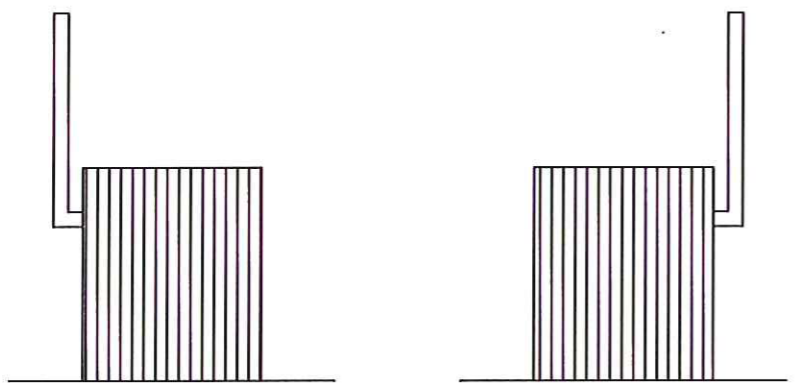
July 13



South Elevation

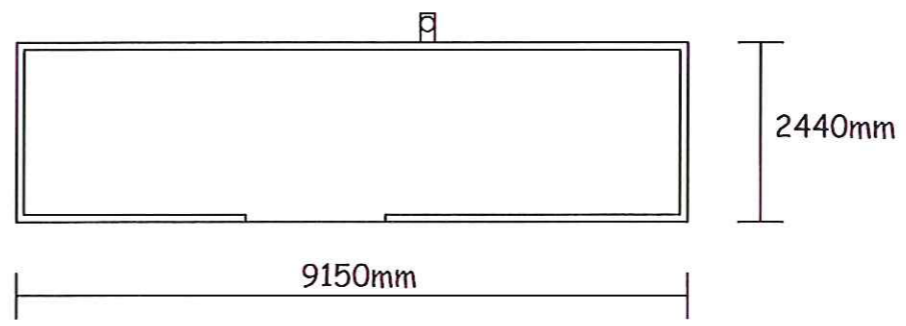


North Elevation



West Elevation

East Elevation



Floor Plan

AMENDED

Notes

 **Ian Pick Associates**
 Ian Pick BSc (Hons) MRICS

Llewellyn House
 Middle Street
 Kilham
 Driffield
 YO25 4D1

CLIENT
 Peter Beeforth
 Middlewood Farm
 Fylingthorpe
 Robin Hoods Bay
 YO22 4UF

JOB TITLE
Biomass Boiler and Drying Room.

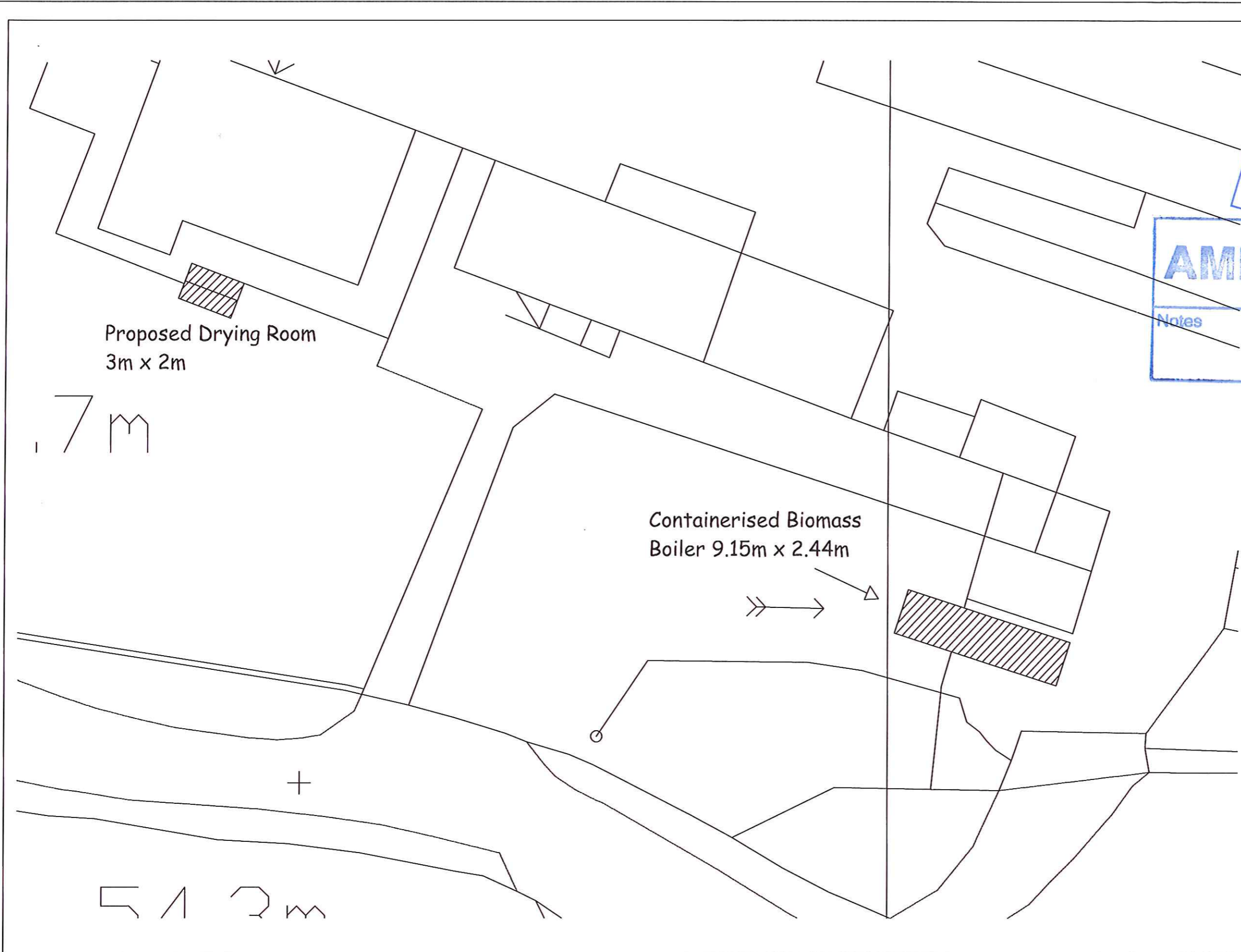
DWG. TITLE
Elevations & Plan

SCALE 1:100 | DRN-IP

REVISION

DWG. NUMBER | DATE
IP/PB/03a | July 13

NYM
31 JUL 2013



Proposed Drying Room
3m x 2m

Containerised Biomass
Boiler 9.15m x 2.44m

NYMNI
31 JUL 2013

AMENDED
Notes

 Ian Pick Associates
Ian Pick BSc (Hons) MRICS

Llewellyn House
Middle Street
Kilham
Driffield
YO25 4D1

CLIENT
Peter Beeforth
Middlewood Farm
Fylingthorpe
Robin Hoods Bay
YO22 4UF

JOB TITLE
Biomass Boiler and Drying Room.

DWG. TITLE
Proposed Site Plan

SCALE 1:200 DRN-IP

REVISION

DWG. NUMBER DATE
IP/PB/02a July 13

7m

5 1 2 m