

REVISED
- 7 JUN 2013



Ian Pick Associates
Ian Pick BSc (Hons) MRICS

Llewellyn House
Middle Street
Kilham
Driffeld
YO25 4RL

CLIENT
Peter Beeforth
Middlewood Farm
Fylingthorpe
Robin Hoods Bay
YO22 4UF

JOB TITLE
Biomass Boiler and Drying Room.

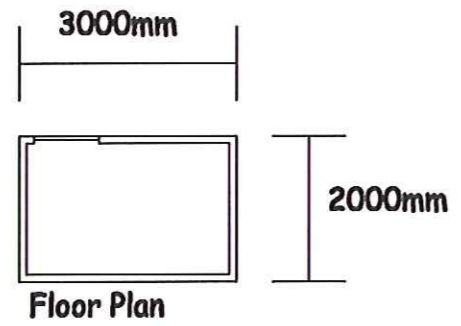
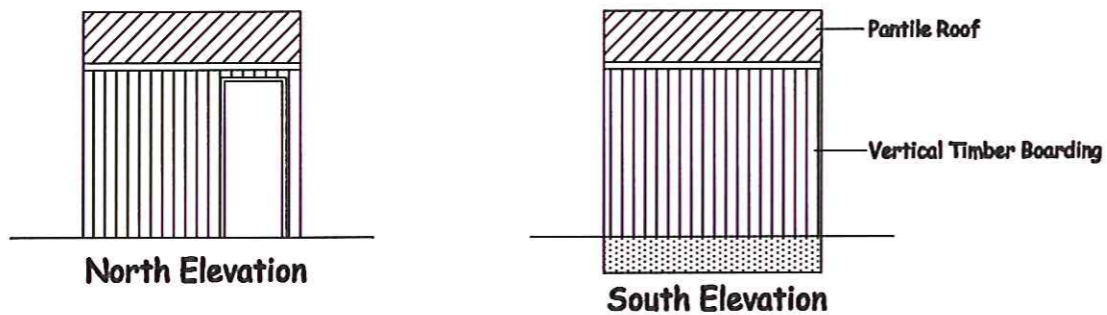
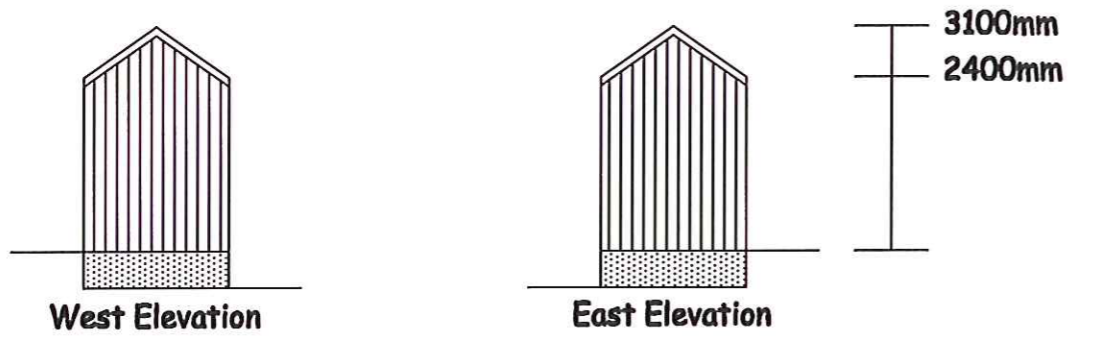
DWG. TITLE
Proposed Site Plan

SCALE 1:200 DRN-IP


REVISION

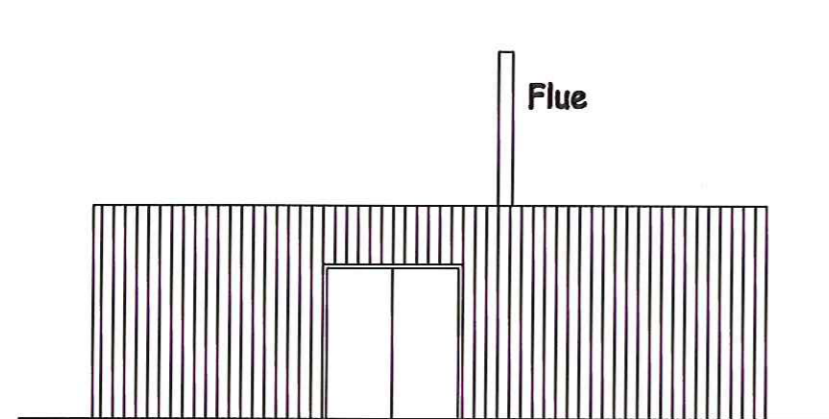
DWG. NUMBER IP/PB/02	DATE June 13
--------------------------------	------------------------

NYM / 2013 / 0 3 7 3 / FL

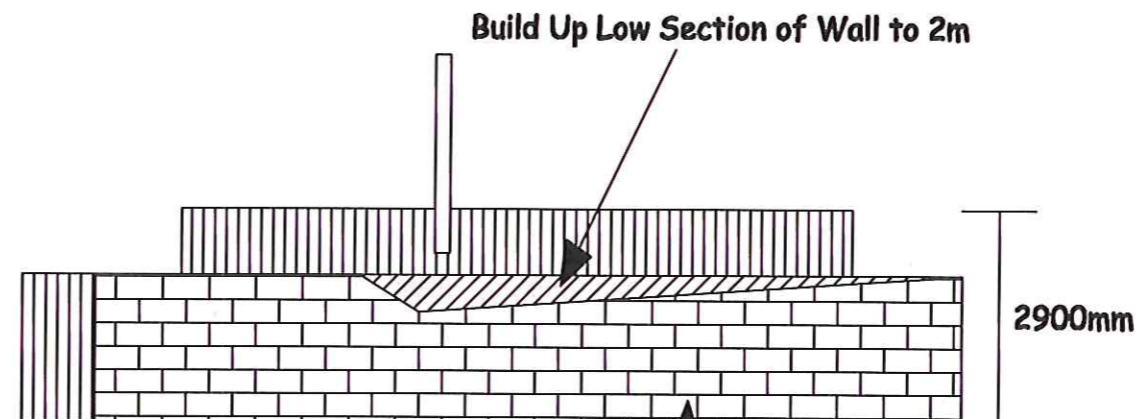


NYMNP
- 7 JUN 2013

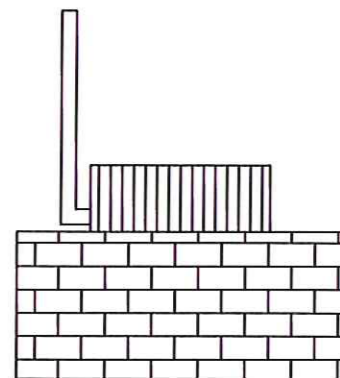
Ian Pick BSc (Hons) MRICS Llewellyn House Middle Street Kilham Driffield East Yorkshire YO25 4RL 	CLIENT P Beeforth Middlewood Farm Fylingthorpe Robin Hoods Bay Whitby, YO22 4UF	JOB TITLE Biomass Boiler and Drying Room	SCALE 1:100	Rev -
		DWG. TITLE Drying Room Elevations	DWG. NUMBER IP/PB/04	DATE June 13



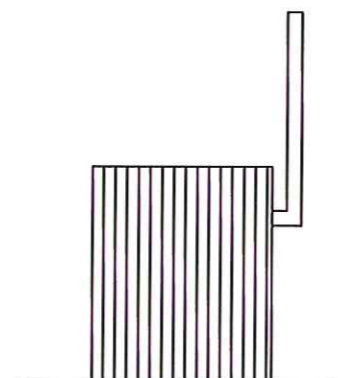
South Elevation



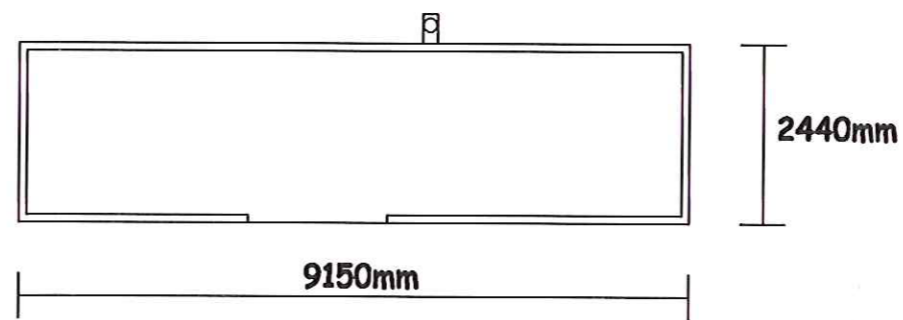
North Elevation



West Elevation



East Elevation



Floor Plan

NYMADA
-7 JUN 2013



Ian Pick BSc (Hons) MRICS

Llewellyn House
Middle Street
Kilham
Drifffield
YO25 4RL

CLIENT
Peter Beeforth
Middlewood Farm
Fylingthorpe
Robin Hoods Bay
YO22 4UF

JOB TITLE
Biomass Boiler and Drying
Room.

DWG. TITLE
Elevations & Plan

SCALE 1:100 DRN-IP

REVISION

DWG. NUMBER IP/PB/03	DATE June 13
--------------------------------	------------------------