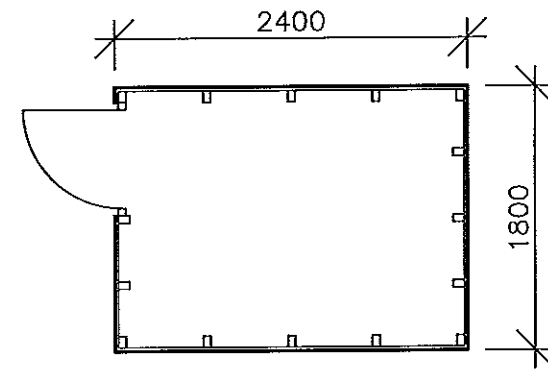


© Copyright to Acorus Ltd.

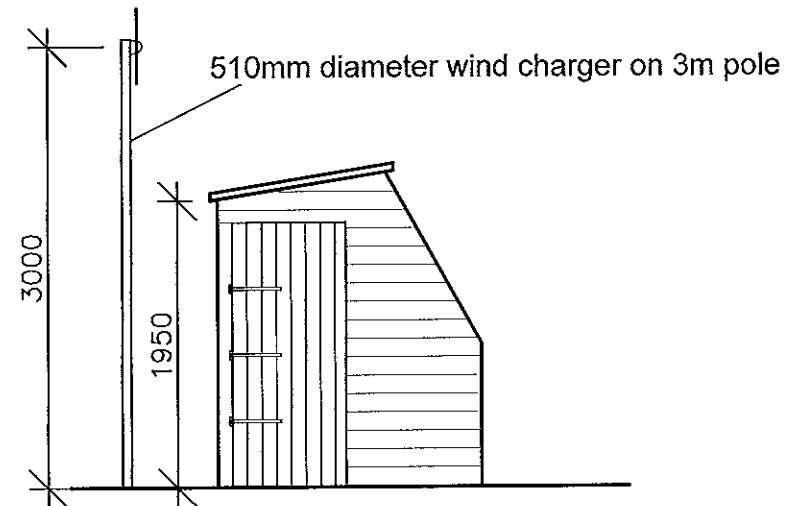
NOTES

1. IF IN DOUBT ASK
2. WRITTEN DIMENSIONS TO BE USED ONLY.
3. THIS DRAWING IS CONFIDENTIAL AND REMAINS THE EXCLUSIVE PROPERTY OF ACORUS. DO NOT COPY UNLESS AUTHORISED.

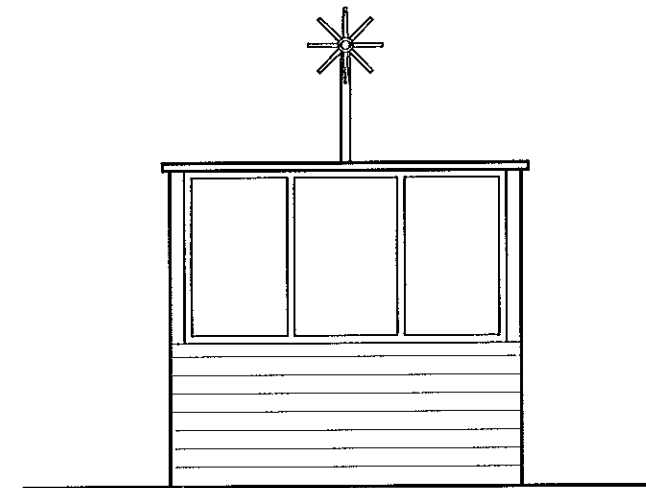


PLAN

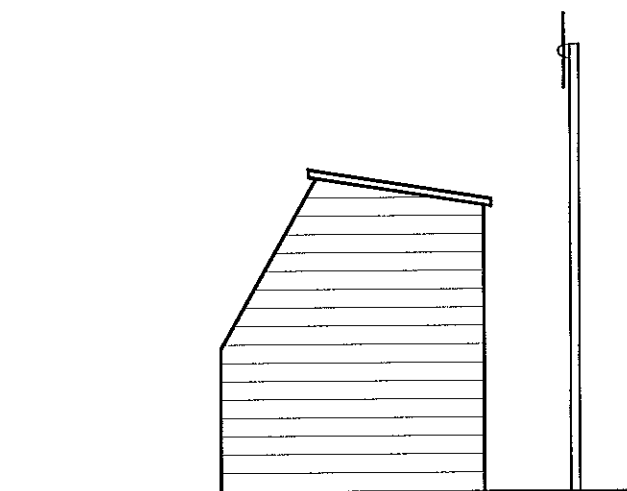
NYMNP4
10 JUL 2013



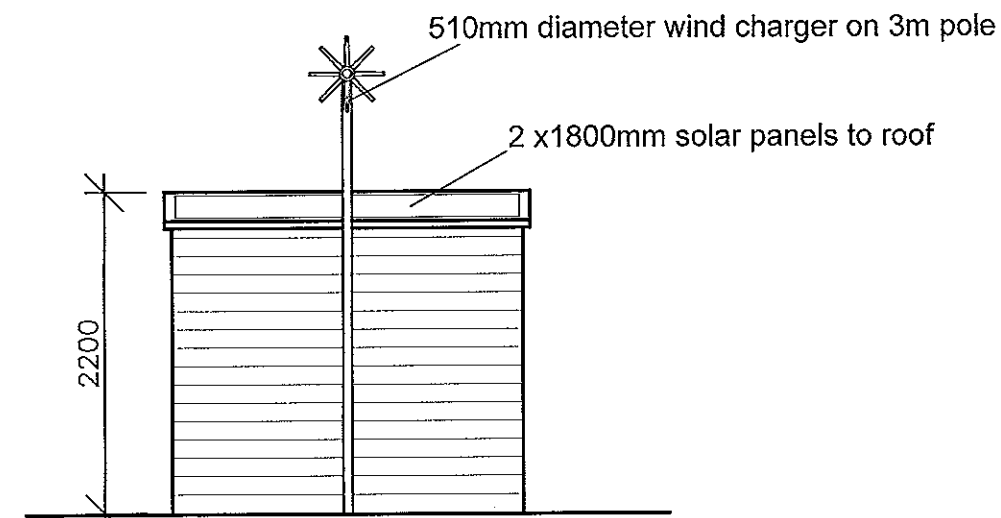
SIDE



SIDE



SIDE



SIDE

ORIGINAL PAPER SIZE A3

REVISIONS

No.	Date	Description	Ver.



Chartered Surveyors and Planning Consultants
Pendeford House, Pendeford Business Park,
Wobaston Road, Wolverhampton. WV9 5AP

JOB TITLE
PROPOSED AIRSTRIP AT
SOUTH MOOR FARM,
LANGDALE END. YO13 0LW

CLIENT
MR R. W. WALKER

DRAWN JL	DATE JULY 13
VERIFIED BRB	SCALE 1:50

DRAWING TITLE
PLAN AND ELEVATION OF THE
SHED WITH WIND TURBINE AND
SOLAR PANELS

FILE REF.	DRAWING No. WALKER-04
------------------	---------------------------------