

Amendments

- Amended layout of buildings/outside areas
- Additional background information
- Amended design
- Revised access arrangements
- Change of description of proposed development
- Change in site boundaries
- Other (as specified below)

BIRCH

JOINERY

Windows - Doors - Conservatories

Unit 9, Enterprise Way,
Whitby Business Park,
Whitby, North Yorkshire
YO22 4NH

VAT Reg No. 317 1621 84



Government Endorsed Standards
Registered through:
Glass and Glazing Federation

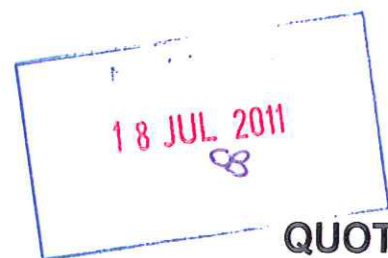


Glass and Glazing Federation

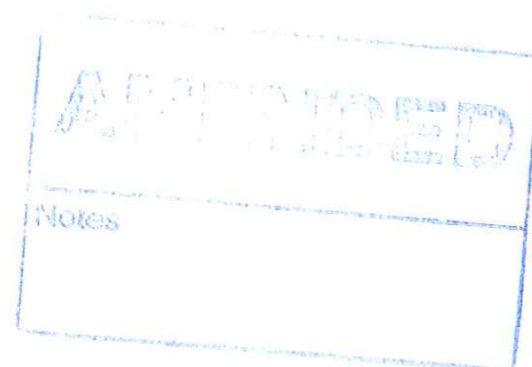


Registered Company

Mr & Mrs Hill
School Cottage
Beacon Way
Sneaton
Whitby
YO22 5HS



QUOTATION




Notes

Reference	replacement windows
Quotation Number	14560 - revised
Date of Quotation	15 July 2011
Validity	90 days

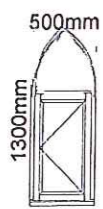
Dear Mr & Mrs Hill

We are pleased to provide a revised price (in line with N.Y.M.N.P.A. specification) for manufacture and installation of the following:

- hardwood flush casement windows (not 'stormproof')
- some with gothic arches
- factory finished in Sikkens Cetol 'mahogany' microporous stain
- N.B. espagnolette shootbolt locking not available on this type of window
- on butt hinges
- weather strips
- trickle vents where stated
- with 4-4-4 narrow double glazed units incorporating low-e glass, gas filled & superspacers
- make good, seal & clear site

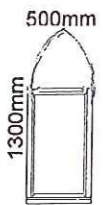
Item (sizes)	Description	Qty	Unit Cost	Total Cost
 500mm	Window Lounge - side (with trickle vent) - gothic arch Bevel moulding Meranti Timbalite slim 4/4/4 (12mm) Clear DG Unit	1	£749.60	£749.60
Carried Forward				£749.60

Item (sizes)	Description	Qty	Unit Cost	Total Cost
		Brought Forward		£749.60



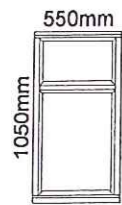
Window
Lounge & Kitchen - gothic arch
Bevel moulding
Meranti
Timbalite slim 4/4/4 (12mm) Clear DG Unit

2 £724.60 £1,449.20



Window
Lounge & Stairs - gothic arch
Bevel moulding
Meranti
Timbalite slim 4/4/4 (12mm) Clear DG Unit

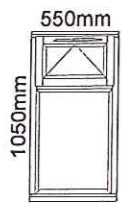
3 £620.92 £1,862.76



Window
Bedroom
Bevel moulding
Meranti
Timbalite slim 4/4/4 (12mm) Clear DG Unit

2 £428.45 £856.90

NV
18 JUL 2011



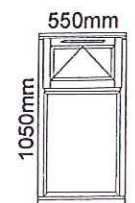
Window
Bedroom (with trickle vent)
Bevel moulding
Meranti
Timbalite slim 4/4/4 (12mm) Clear DG Unit

1 £548.24 £548.24



Window
Bedroom (with trickle vent)
Bevel moulding
Meranti
Timbalite slim 4/4/4 (12mm) Clear DG Unit

1 £604.22 £604.22



Window
Bathroom (with trickle vent)
Bevel moulding
Meranti
Timbalite slim 4/4/4 (12mm) Satin DG Unit

1 £583.24 £583.24

APPROVED

Total £6,654.16

Zero rated VAT with
Listed Building Consent

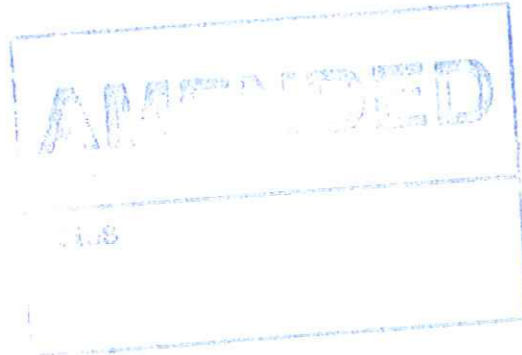
NOTES:

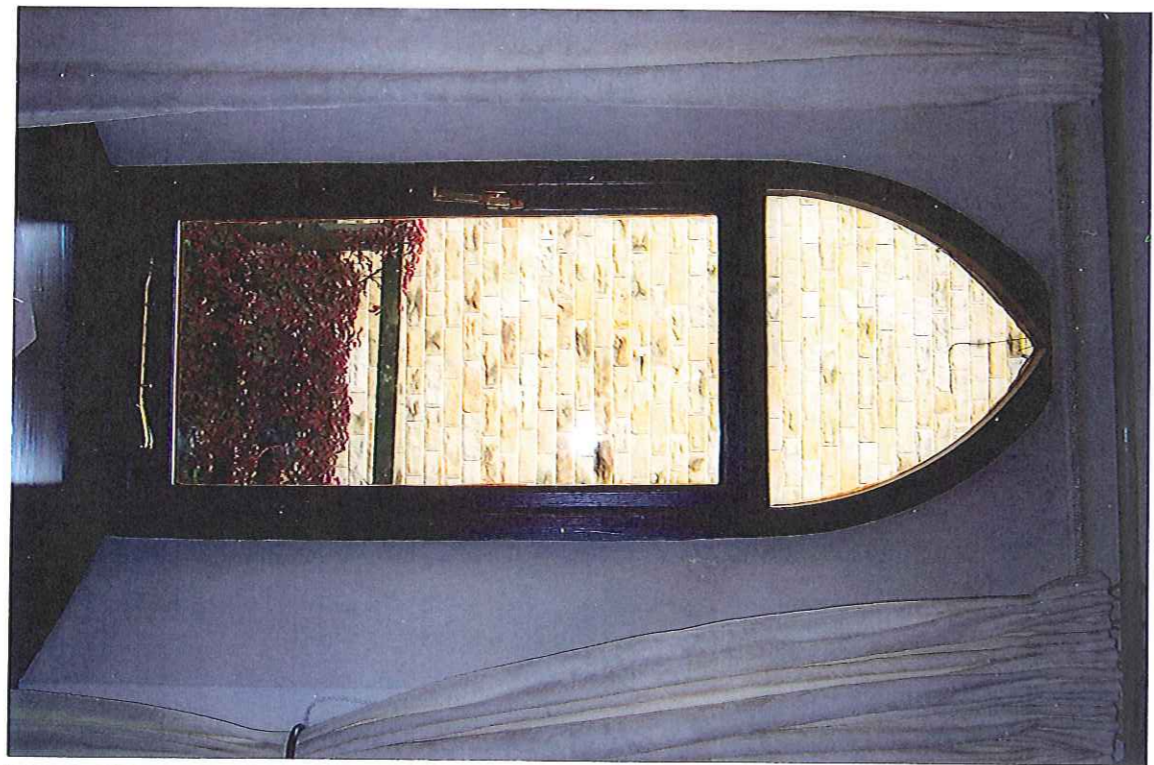
- Current lead-time is a minimum of 18 working weeks* from receipt of signed order confirmation and a 20% deposit. PLEASE NOTE: This is subject to change, so please check at time of order. (*N.B. When planning permission is required, lead-time is taken from when written permission is received.)
- Remaining balance is due within 7 days of completion. Items property of Birch Joinery until balance paid in full.
- All finishes, ironmongery, glass, etc are from our standard range unless otherwise stated. Upgrades are available.
- Price assumes same finish both internally and externally unless otherwise stated. N.B. There may be a surcharge for dualcolour.
- Once in production an order cannot be cancelled or adjusted. If so, prices and lead-time may be affected.
- Drawings are not to scale & for illustrative purposes only.
- Please see our 'contract of works' & 'sample guarantee' for further details.

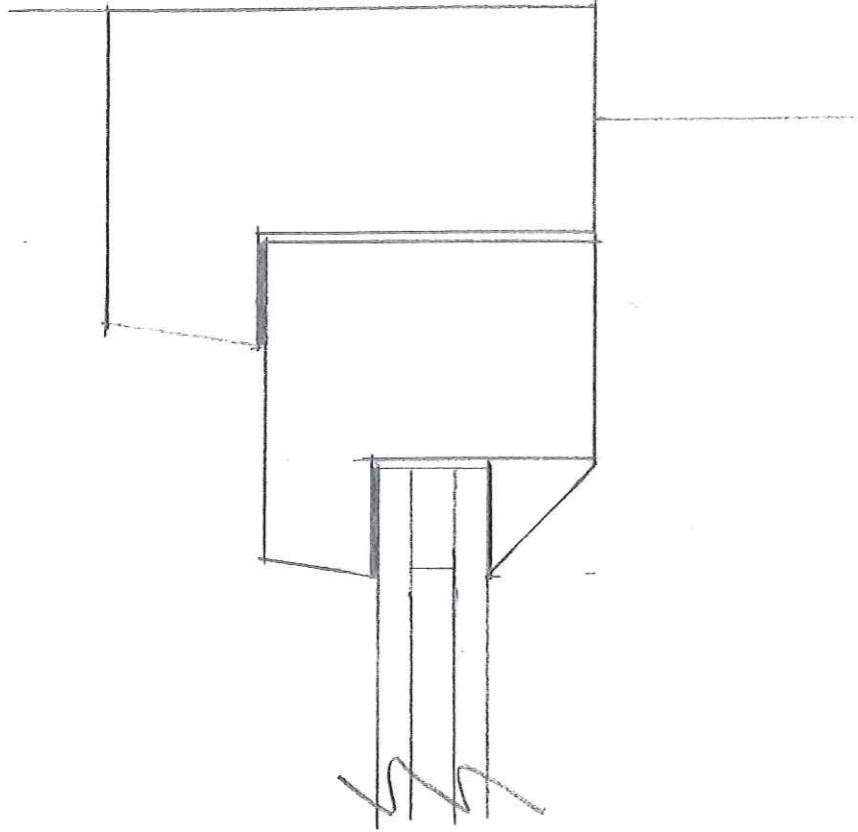
Many thanks for your enquiry. If you have any further questions please feel free to contact us.

Yours sincerely,

Mike Hutchinson
Estimating







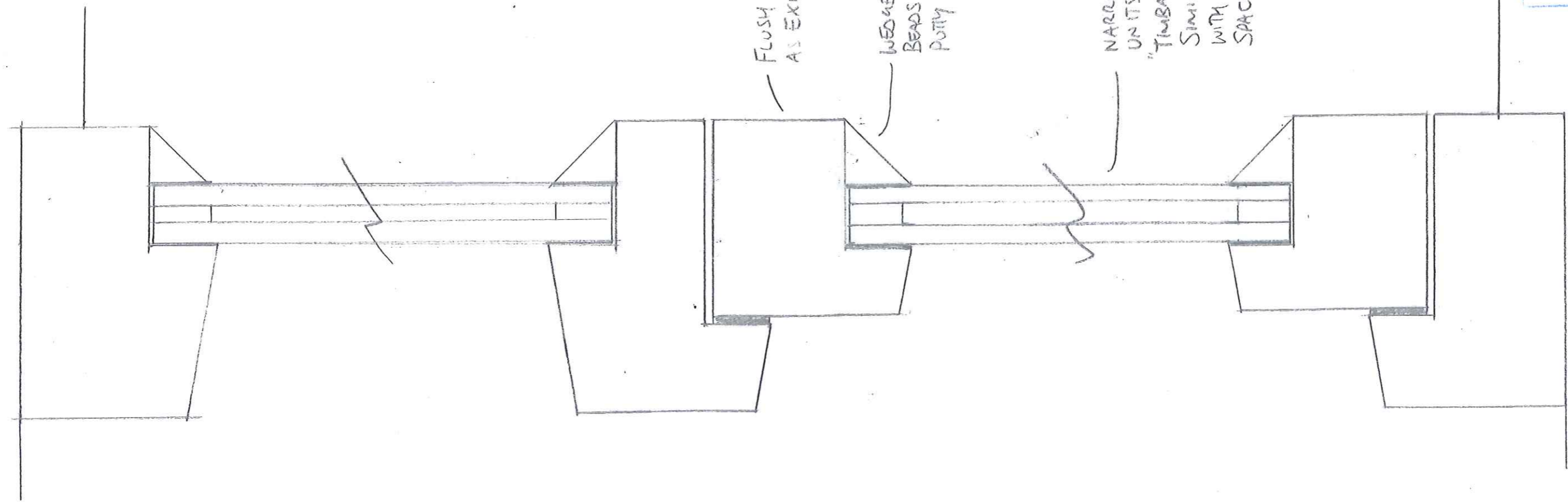
WINDOWS ARE SET INTO REVERE SO VERY LITTLE OF OUTER FRAME WILL BE SEEN EXTERNALLY.

SECTIONS ARE FROM 2" TIMBER AS EXISTING

FLUSH SASHES AS EXISTING

WEDGE SHAPED BEADS OR PUTTY POINT

NARROW CAVITY UNITS, e.g. "TIMBALITE" OR SIMILAR WITH BLACK SPACERS



NYMNP
18 JUL 2011

APPROVED

Notes

Mrs + Mrs Hill
SCHOOL COTTAGE
BEACON WAY
SNEATH

WINDOW SECTIONS AS PER
N.Y.M.N.P.A. SPECIFICATIONS