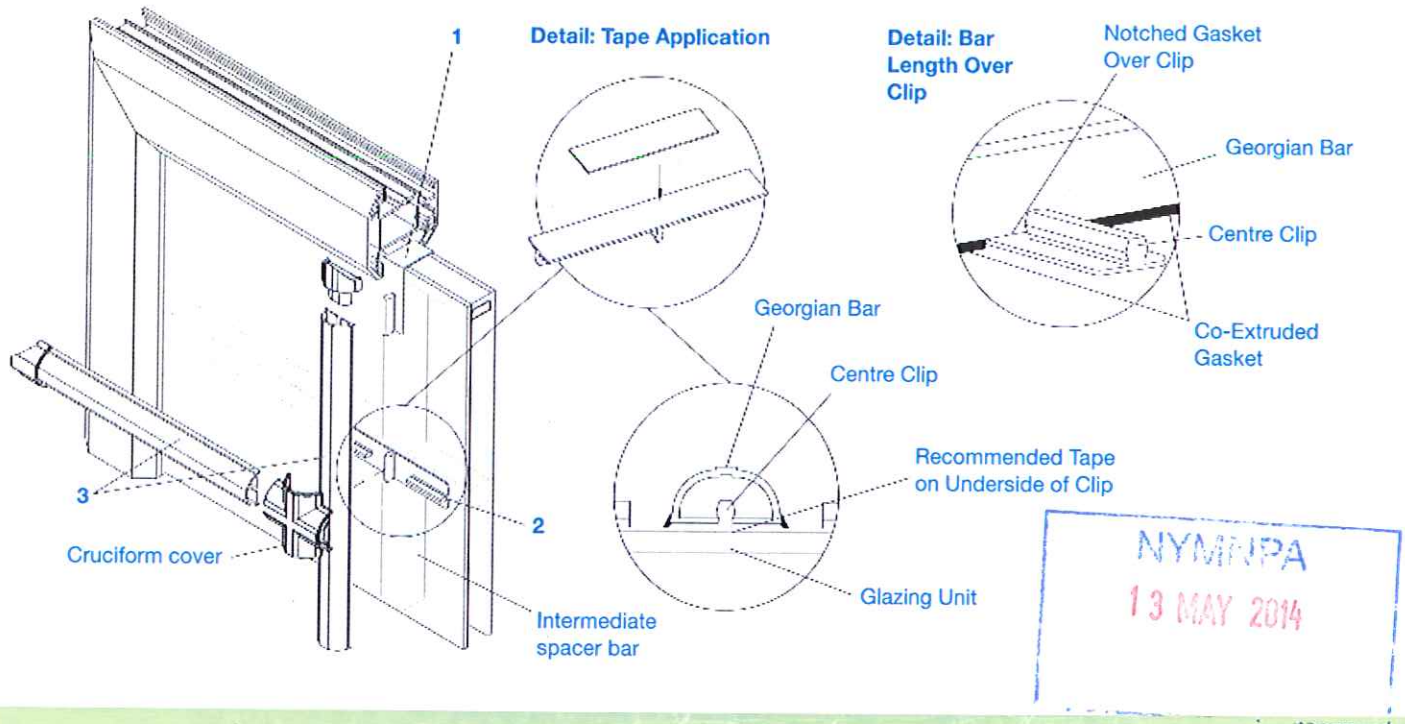




GeoFast

Snap On Georgian Bar Fixing Instructions Method Statement USING END CAPS



Step 1

Place edge clips in the required positions around the sealed glazing unit.

Step 2

Glaze window as per manufacturing and glazing instructions in the applicable Technical Manual. Ensure that clips have retained their position prior to final beading. Adjustment of clip position following final beading should be minimal.

Step 3

Accurately align the centre clip to the edge clips. Once located the clip can be fixed using a length, approximately 40mm, of double-sided tape (see Notes 1 and 2). This should be placed in the centre of the underside of the clip, as shown above. Prior to tape application ensure all surfaces are clean, dry and free of grease.

Step 4

Precisely cut and mitre the full length bar. This should always be shortest span for increased rigidity. To avoid arching of full-length bars, notch out the co-extruded gaskets where the bar crosses the centre clip. This should allow the bar to sit flat against the glass. See Detail: Bar Length Over Clip and note 3.

Step 5

Cut and mitre the remaining bars prior to fitting ensure the lengths are cut accurately.

For spans greater than 300mm a single bridging clip and a patch of tape should be used at midpoints to increase rigidity

Repeat Steps 1-5 for opposite side.

When using end caps and centre joint covers no milling is required, all bars are square cut with allowance for insertion into mouldings

Notes:

1. Tape: Recommendation

In controlled factory glazing or for on site application above 0°C, it is recommended that 3M VHB 4943F at 1.1mm be used. The characteristics of the tape will allow for strong bonding in such conditions. The tape may produce a gap approximately 0.5mm between bar and glazing unit at the centre clip, however this will not effect performance.

2. Adhesive tapes should be applied as per manufacture instructions.

3. Thermal expansion allowance in cutting size should be used: White PVCU allow 1.6mm/m, Coloured/Foiled allow 2.4mm/m. Bar lengths should be processed at minimum 17°C up to standard workshop temperature (assumed 21°C).

4. Storage of system must comply with Technical Delivery Specification from your systems supplier

5. Care should be taken during any further transportation to ensure bar lengths are suitable for application.



The Georgian Bar Company Ltd

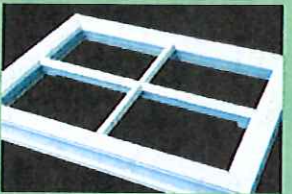
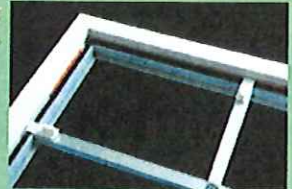
Our Georgian bars are a snap to use!

Snap-on Georgian Bars

- External and Internal Georgian bars - that snap in place, giving a more authentic look than 'in-unit' alternatives
- Reduce production time
- Fast, efficient installation on site if required
- An easy up-sell to consumers, and a good way to get ahead in the new build market
- Dedicated cruciform mouldings enable you to square cut the bars and simply snap into place.
- Available in woodgrain finishes as well as white



Units can have bars applied to either one or both sides of the window as required and the bars will flex with the unit - so that if "toe and heeling" is required this will not impact on the effectiveness of the bars. If, however, reglazing is required, then the bars can be easily removed and reapplied on site.



- The components comprise edge clips, centre clips, end & cruciform caps and the Georgian Bars.
- The Geo Fast clips have a world-wide patent.
- Place the edge clips in the required positions around the sealed glazing units.
- Glaze window as per manufacturing any glazing instructions. Ensure that clips have retained their position prior to final beading.
- Using an alcohol wipe ensure that all surfaces are clean, dry and free of grease.
- Accurately align the centre clip to the edge clips, place a 40mm length of double sided tape to the underside of the centre clip and fix in place.
- Precisely cut a full length bar and apply end caps. This should always be the shortest span for maximum rigidity.
- Cut remaining bars and apply end caps and cruciform covers and snap into place to complete installation.

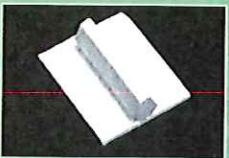
Versatility Low level bar Components



GB1VS CHAMFERED BAR



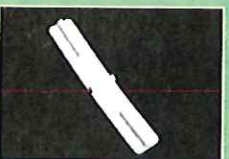
GB2VS FEATURED BAR



LL BRIDGING INTERMEDIATE PIECE



CJC2VS CRUCIFORM COVER



GCCVS CRUCIFORM CLIP



GC24/28VS BAR CLIP



FEATURED BAR END CAP (PROFILE RELATED)

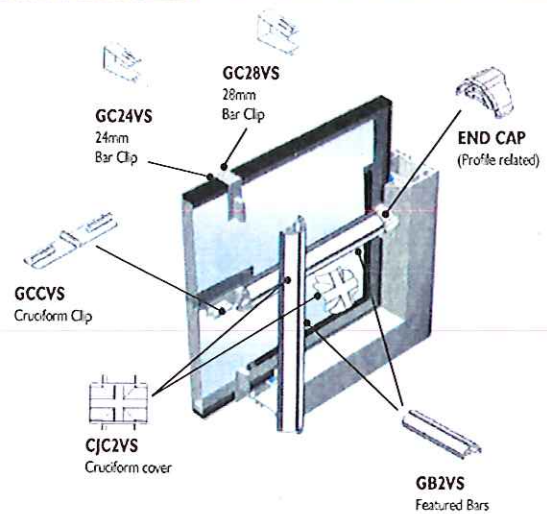


FEC2VS BAR TO BAR END CAP

NYMEDIA
13 MAY 2014

Georgian Bar snap-on system

Geo Fast



The Georgian Bar Company Limited

Unit 1, Clifton Business Park,
Preston New Road, West Preston, PR4 0XQ

Tel: 01772 631441 | Fax: 01772 679886

Email: sales@geofast.co.uk | www.geofast.co.uk