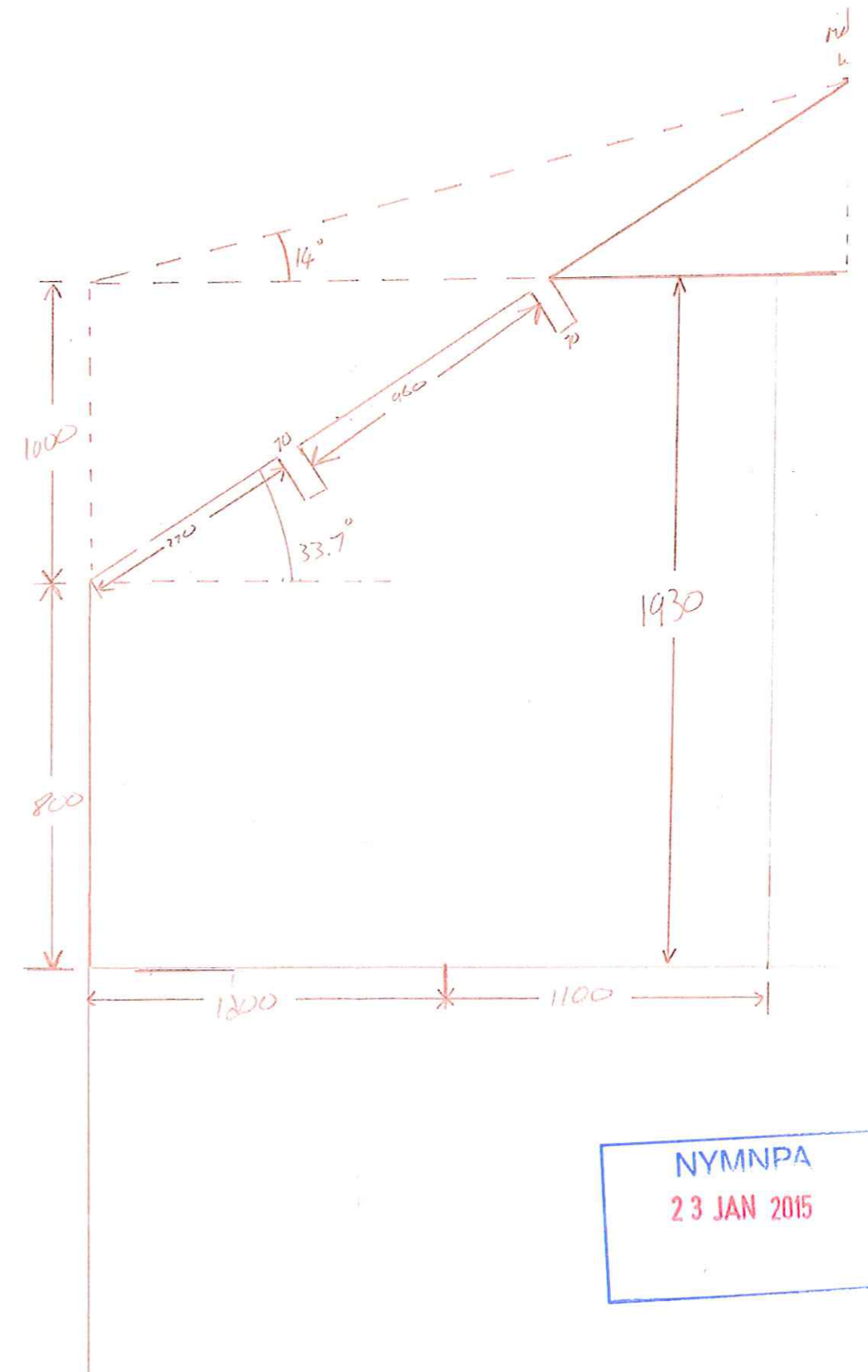
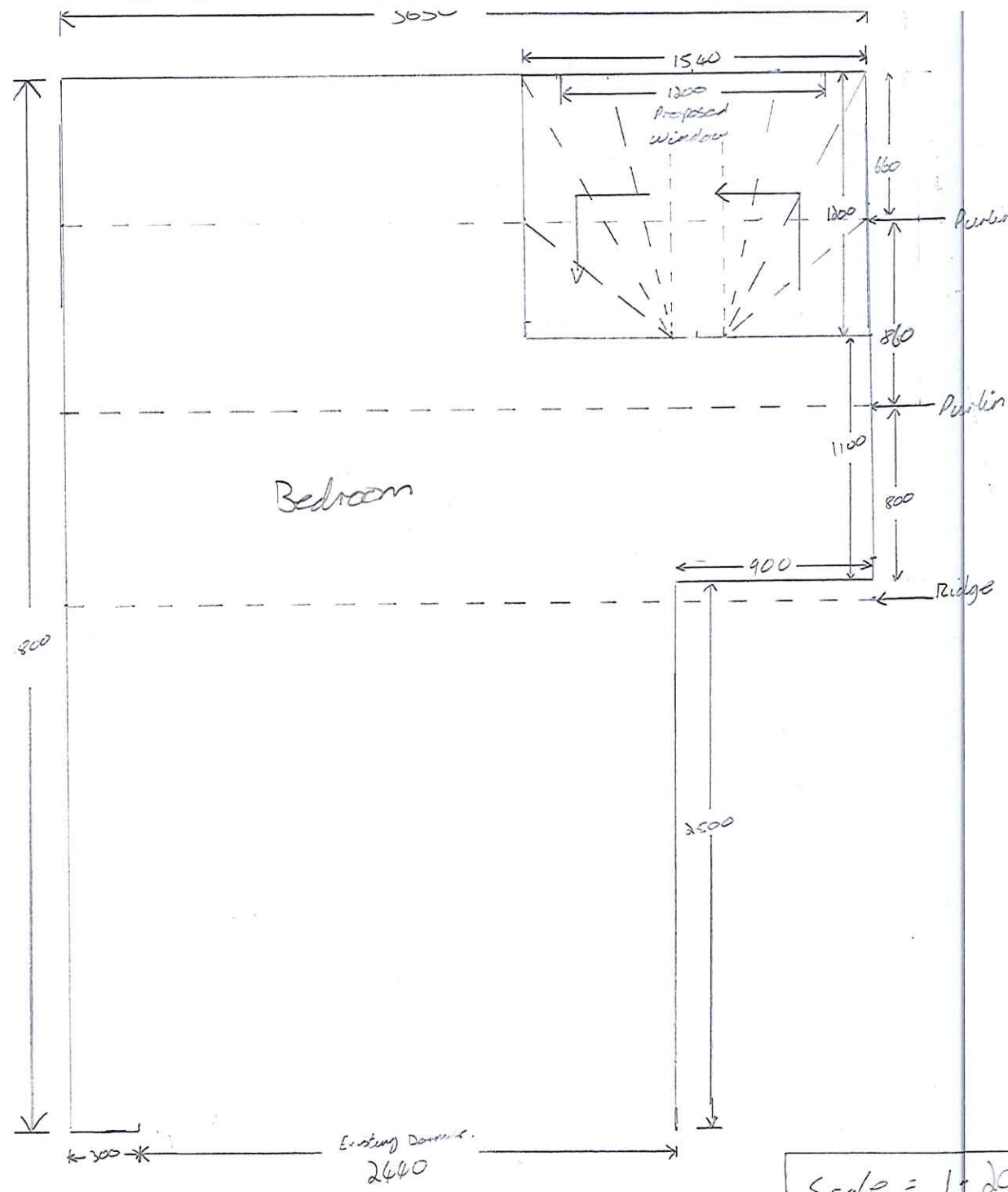


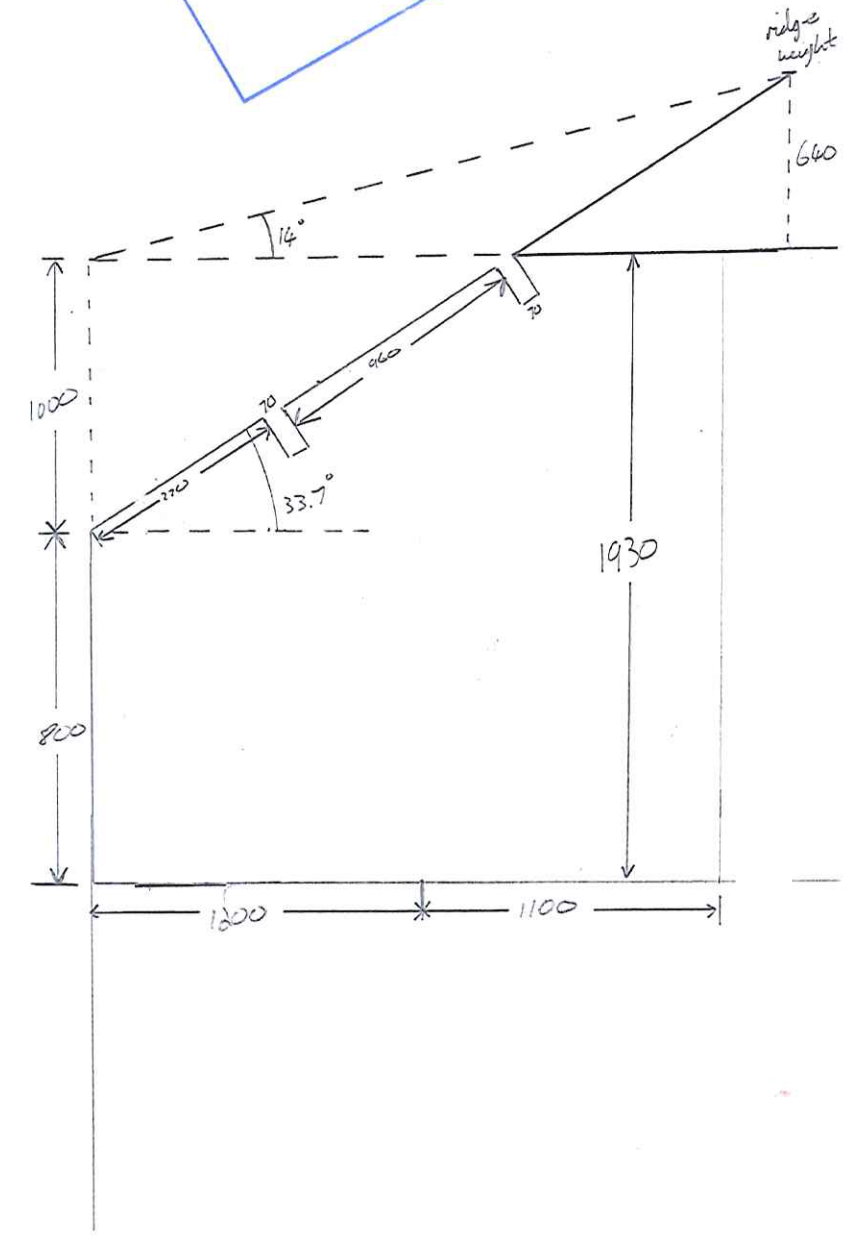
Scale = 1:20 @ A3.



NYMNP
23 JAN 2015



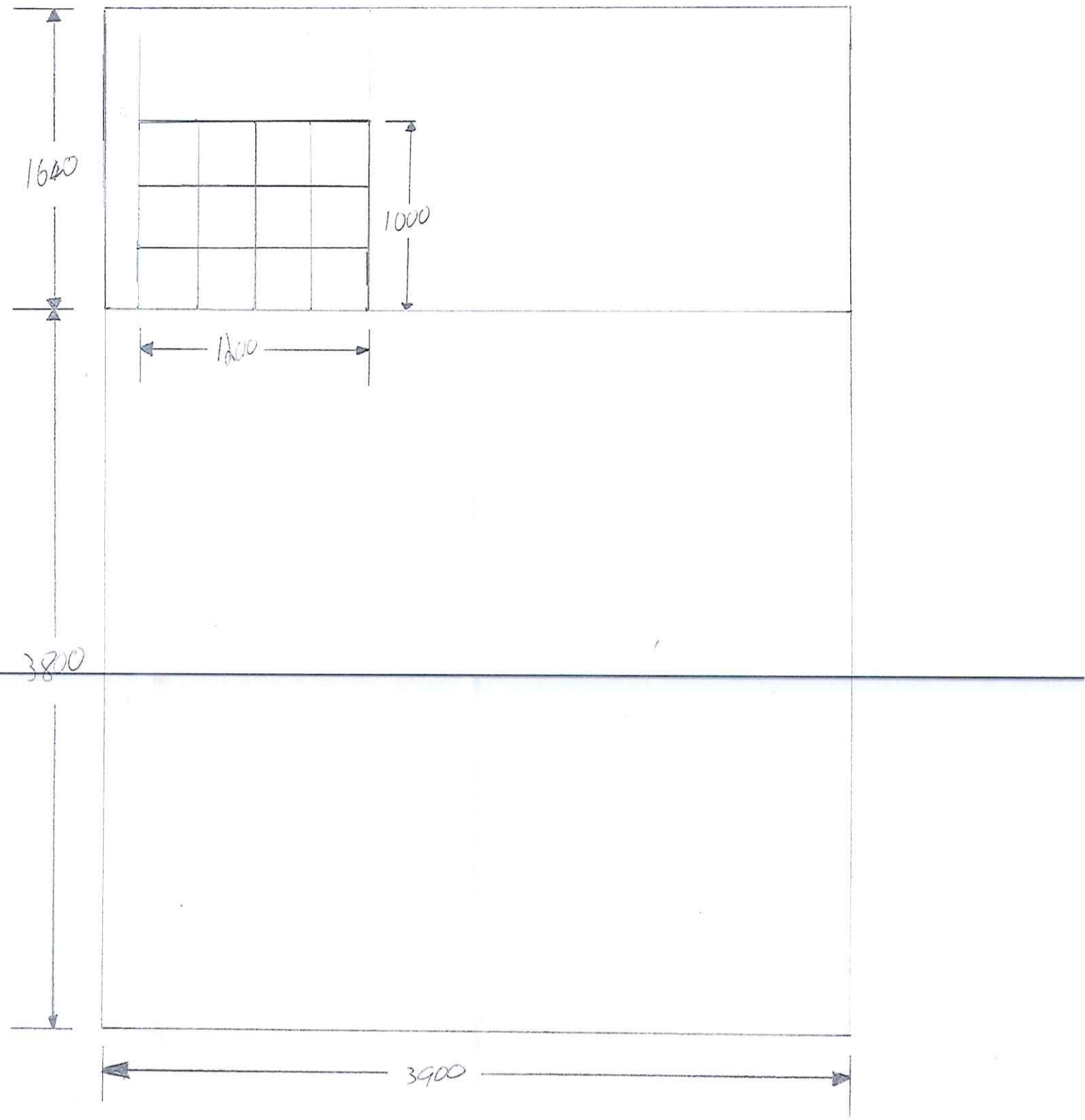
NYMMPA
16 FEB 2015



Scale = 1:20.0 A3.

View elevation.

copy - Not to scale



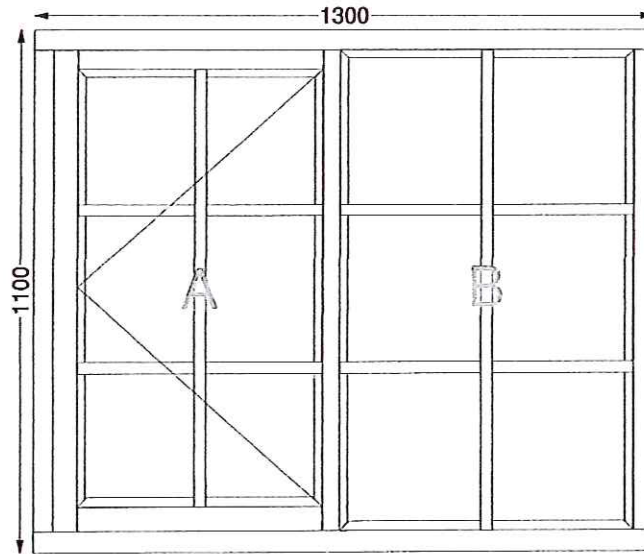
NYMMPA
16 FEB 2015

Client **P.M Straw**

Job

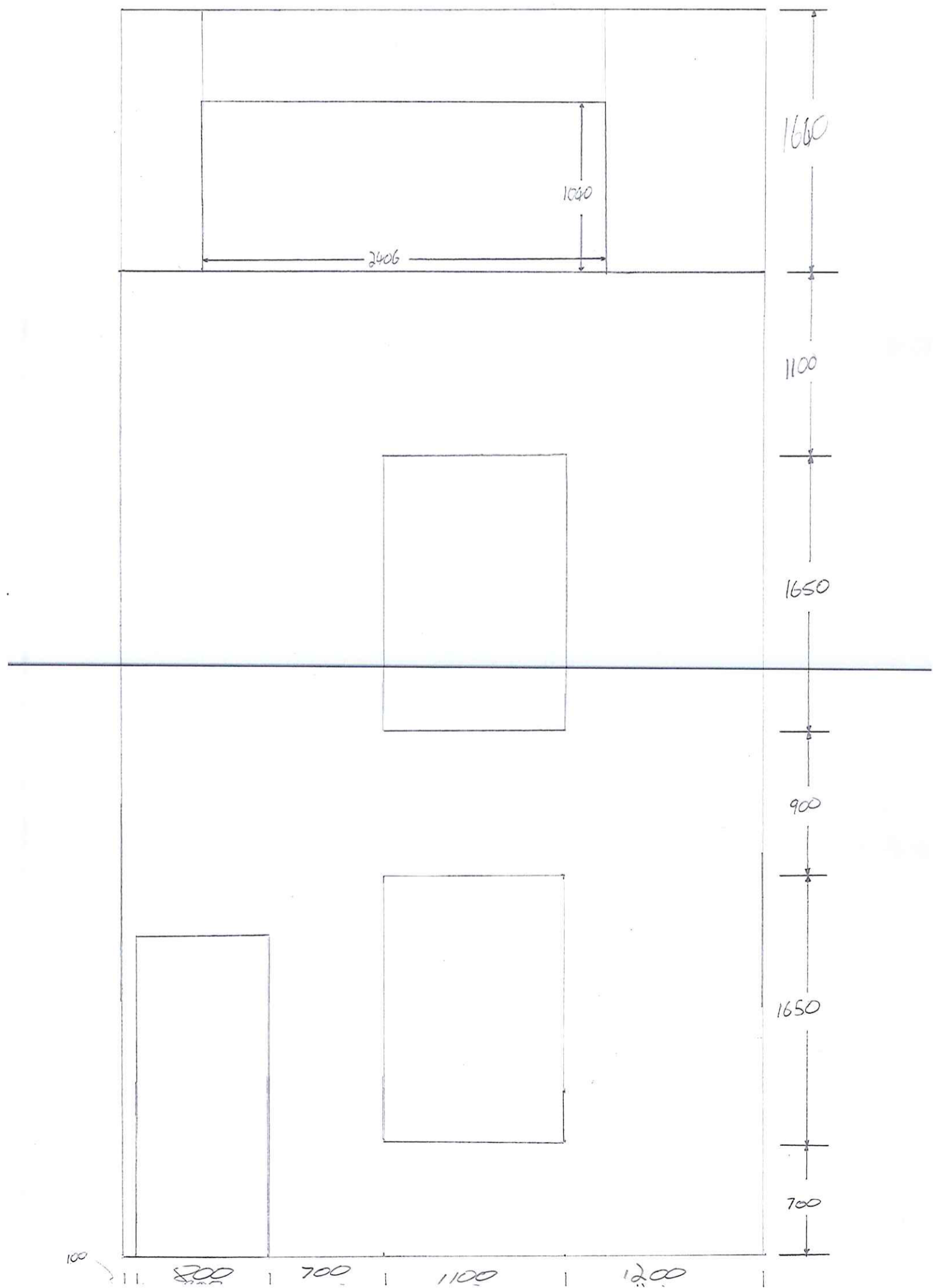
Ref **Auburn Cottage**

1 X Window - W1



NYM
16 FEB 2015

Front Elevation



16 FEB 2017

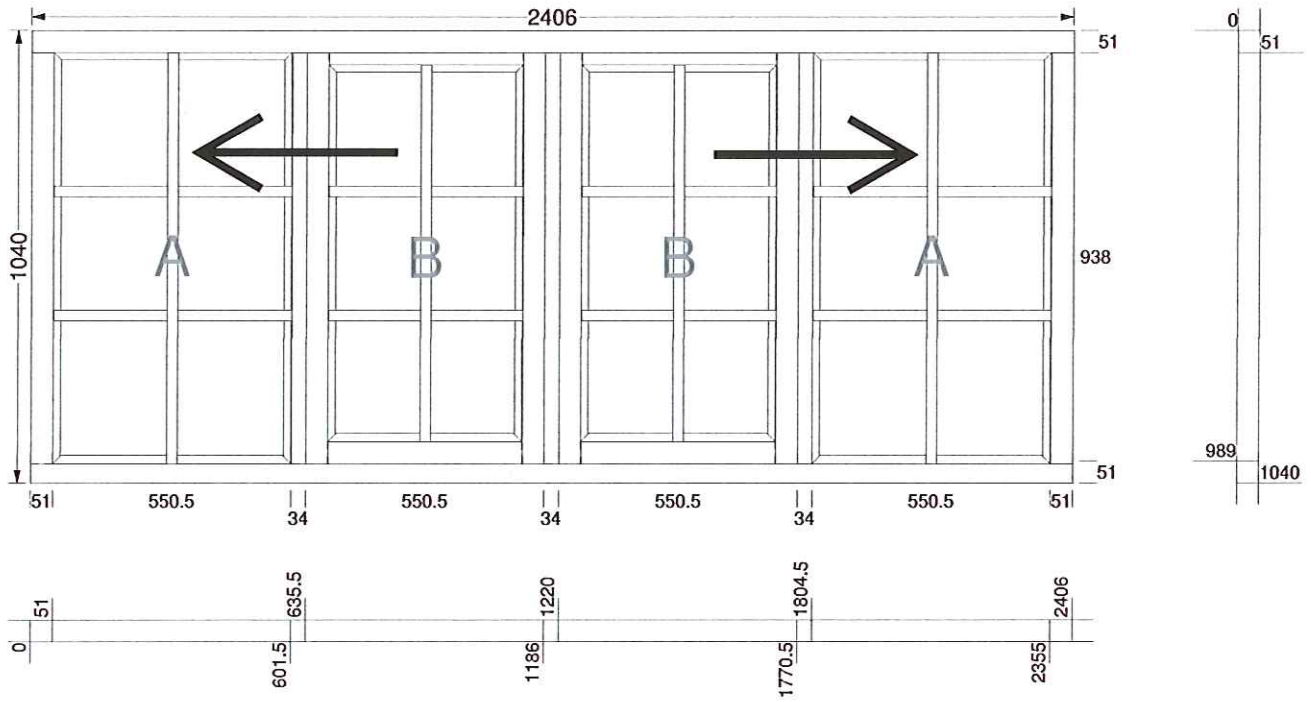
copy - not to scale

Client **P.M Straw**

Job

Ref **Auburn Cottage**

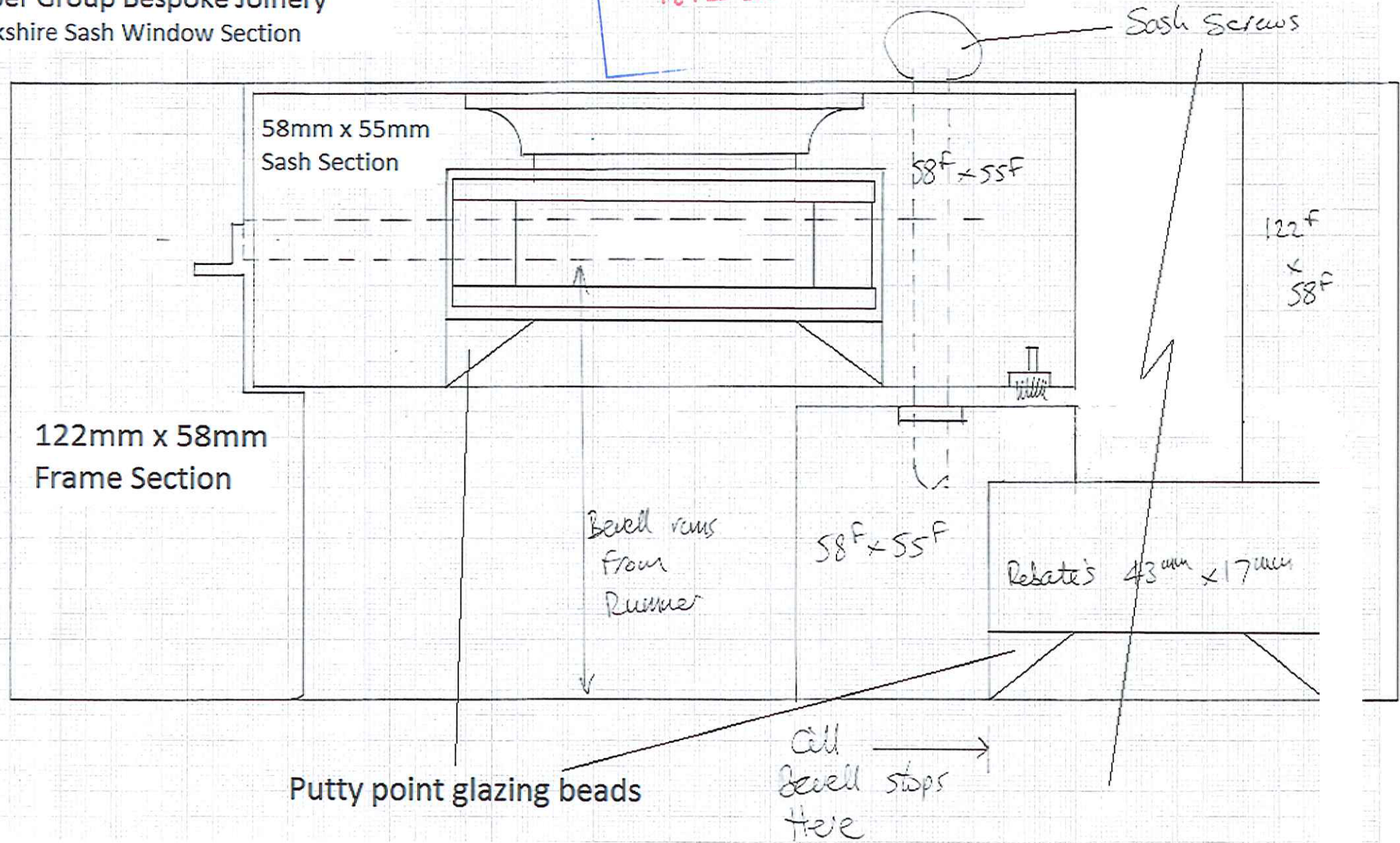
1 X Window - W1



NYMNPΔ
16 FEB 2015

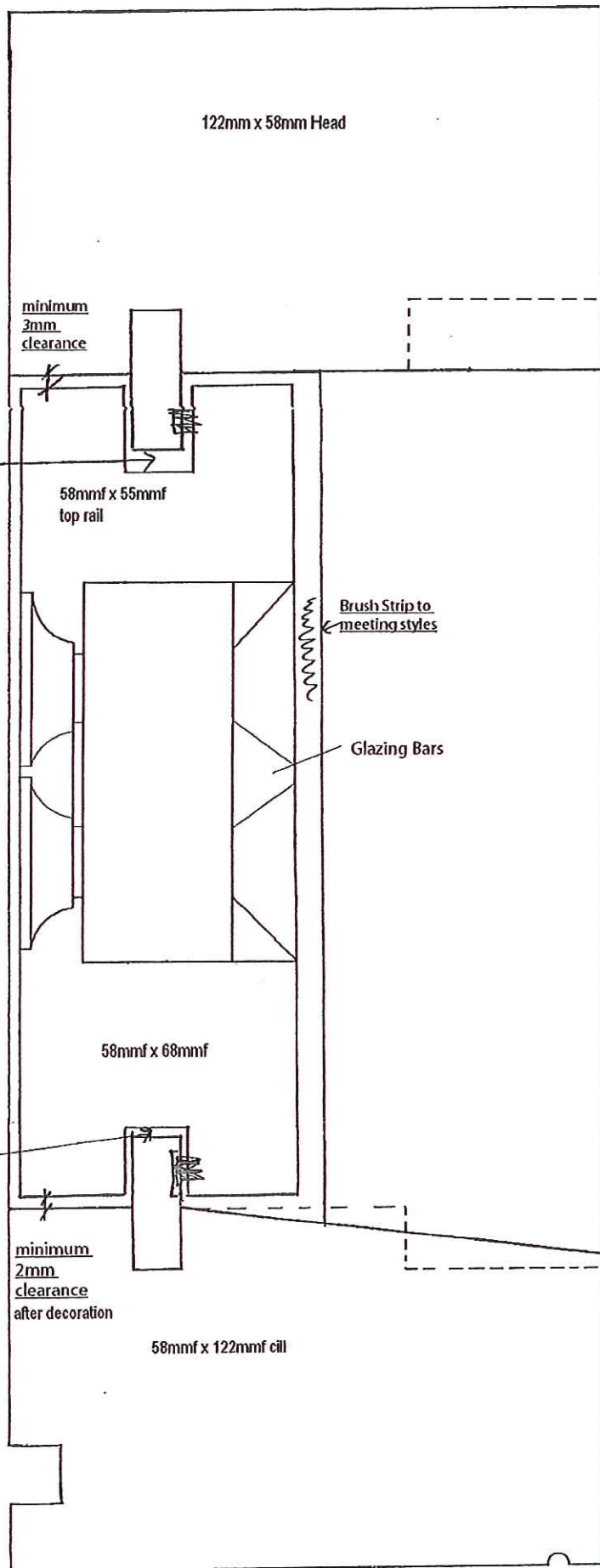
Soper Group Bespoke Joinery
Yorkshire Sash Window Section

NYMANID
16 FEB 2015



Both Dormer windows to be double Glazed.

SECTION @ OPENING SASH



NYMMP
16 FEB 2015