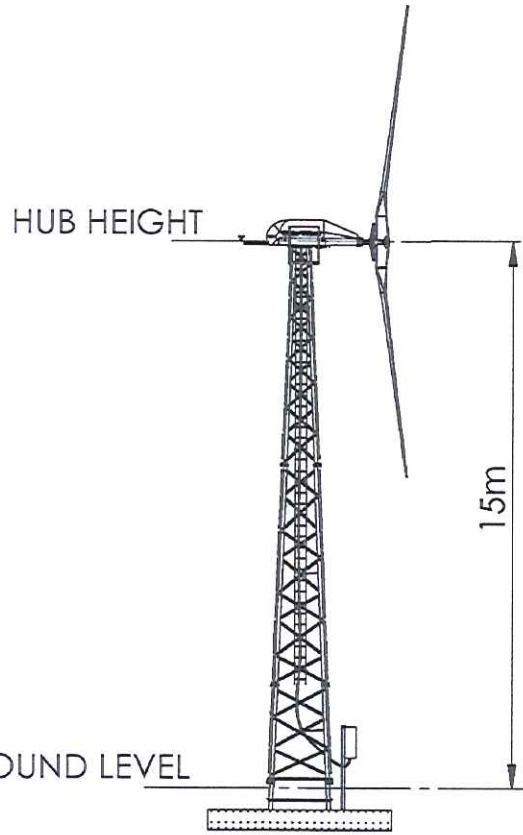
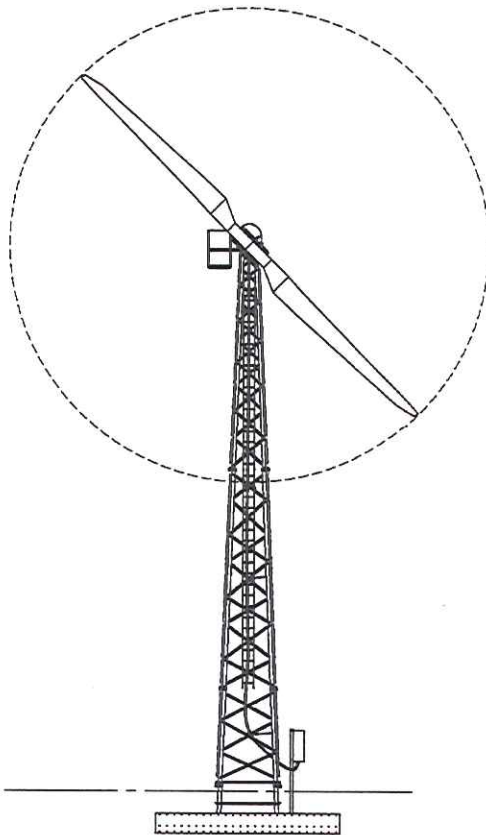


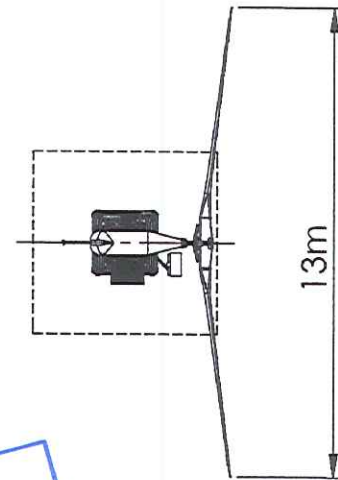
FRONT ELEVATION
(SHOWING ROTOR IN VERTICAL POSITION)



FRONT ELEVATION
(SHOWING ROTOR NORMAL TO VIEW)



PLAN VIEW
(SHOWING ROTOR IN HORIZONTAL POSITION)



NVM / 2012 / 0082 / N M

-6 FEB 2012

GROUND LEVEL

ZONE	REV.	DESCRIPTION	DRAWN	APP'VD	DATE
-	1	FRONT ELEVATION ADDED SHOWING ROTOR NORMAL TO VIEW.	DJL	PJR	09/02/2010

REVISIONS

DO NOT SCALE DRAWING	CHK'D	PJR	01/02/2010
DEBUR AND BREAK SHARP EDGES	APP'VD	PJR	01/02/2010
THIRD ANGLE PROJECTION			
FILENAME: GAIA-WIND 15-1L - 15M LATTICE TOWER DRAWING.SLDBW			



NAME	DATE
DRAWN: DJL	01/02/2010
CHK'D: PJR	01/02/2010
APP'VD: PJR	01/02/2010
FINISH:	-
MATERIAL:	-
WEIGHT (kg):	-

COPYRIGHT © 2009 GAIA-WIND LTD		REVISION
TITLE: 133-11kW TURBINE - 15M LATTICE TOWER		1
DWG NO. GAIA-WIND 15-1L		
TOLERANCES: -		A4
SCALE: 1:200		