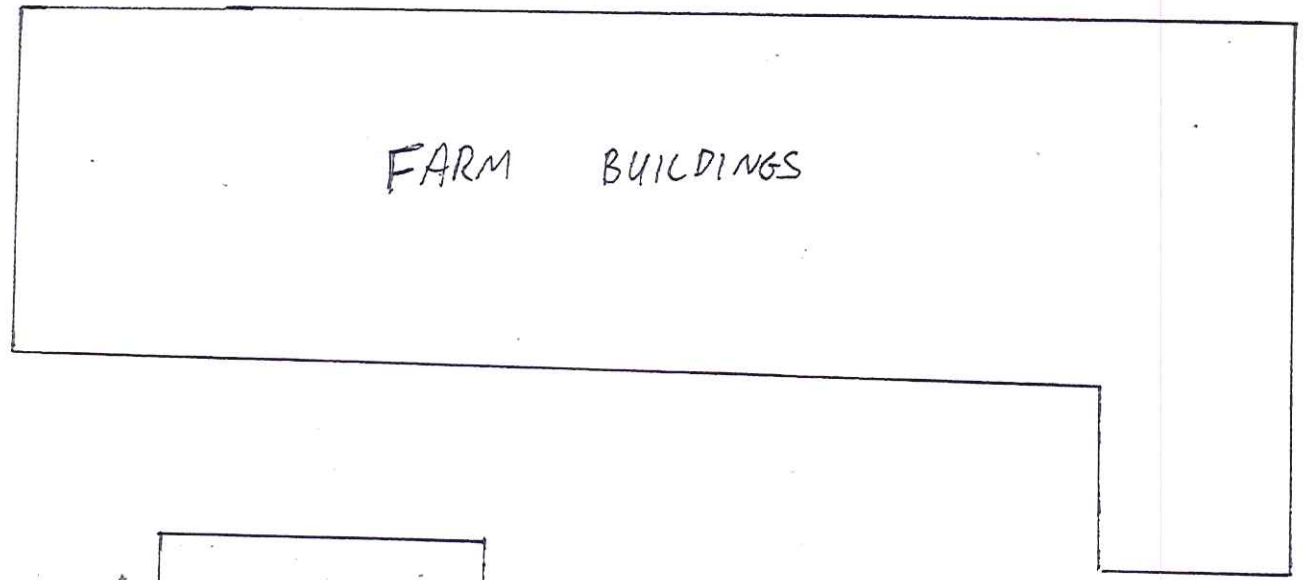
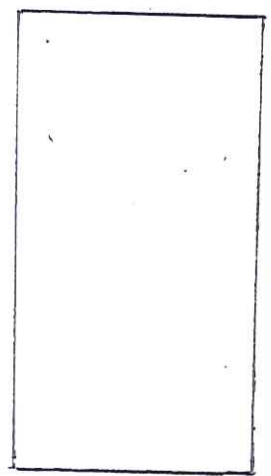


BLOCK PLAN

REF 1

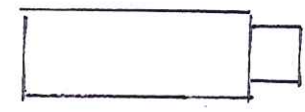
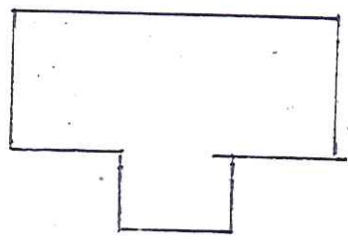
NYM/NPA
27 FEB 2012

0
← 15M
TURBINES
0
50m



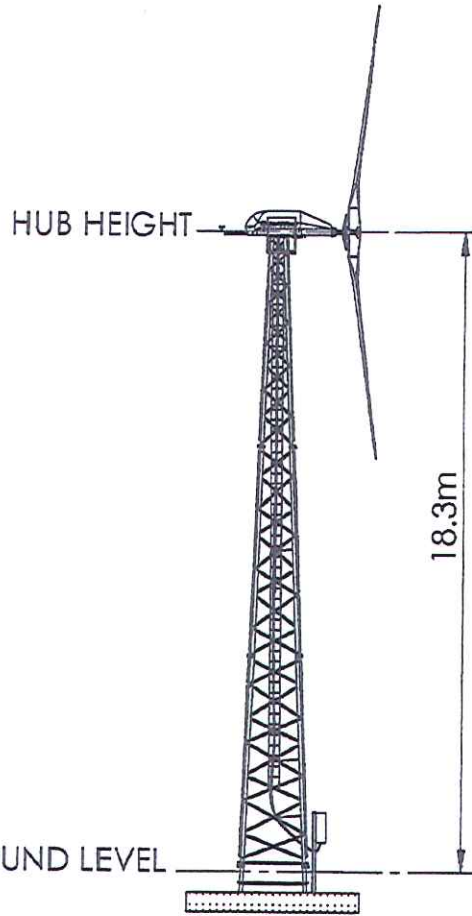
FARM BUILDINGS

NYM / 2012 / 0130 / FL

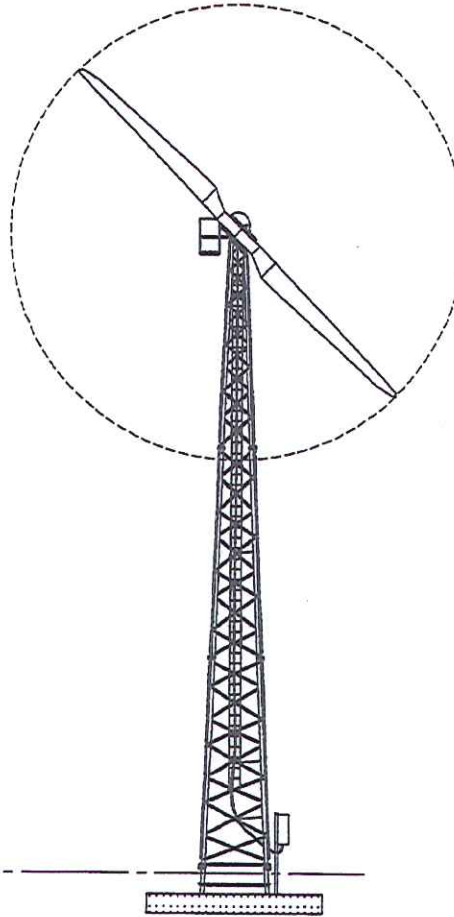


18 METER
TURBINES
50m
↓
0
0

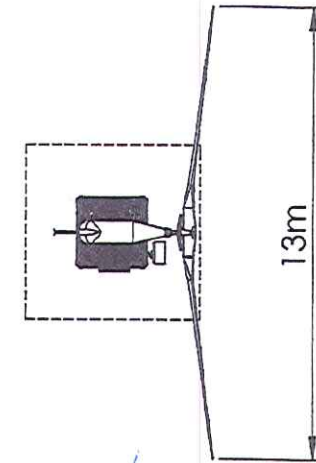
FRONT ELEVATION
(SHOWING ROTOR IN VERTICAL POSITION)



FRONT ELEVATION
(SHOWING ROTOR NORMAL TO VIEW)



PLAN VIEW
(SHOWING ROTOR IN HORIZONTAL POSITION)



NYMNP
27 FEB 2012

GROUND LEVEL

ZONE	REV.	DESCRIPTION	DRAWN	APPVD	DATE
-	1	FRONT ELEVATION ADDED SHOWING ROTOR NORMAL TO VIEW.	DJL	PJR	09/02/2010
REVISIONS					
1	2				

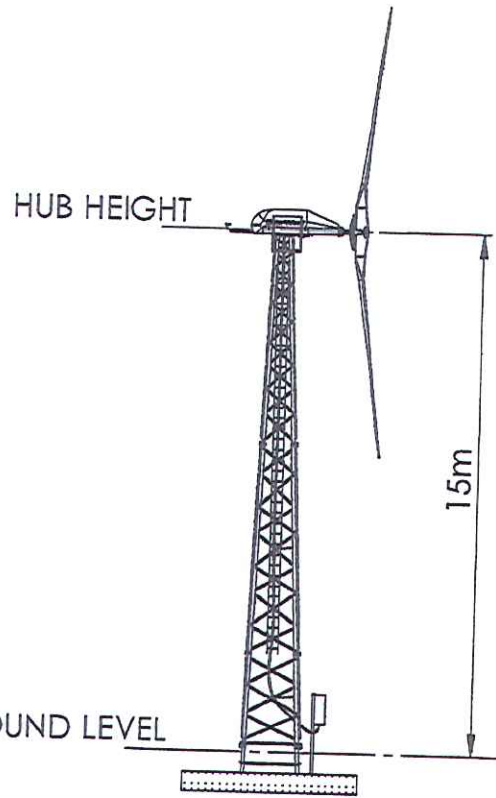
DO NOT SCALE DRAWING	DRAWN	DJL	27/10/2009
DEBUR AND BREAK SHARP EDGES	CHECKED	PJR	27/10/2009
THIRD ANGLE PROJECTION	APPROVED	PJR	27/10/2009
REMARKS: DIMENSIONS SHALL BE IN METERS UNLESS OTHERWISE SPECIFIED	FINISH:		
	MATERIAL:		
	WEIGHT (kg):		

COPYRIGHT © 2009 GAIA-WIND LTD		REVISION	1
TITLE:		133-11kW TURBINE - 18M LATTICE TOWER	
DWG NO.:		GAIA-WIND 18-1L	
TOLERANCES:		A4	
SCALE: 1:100			

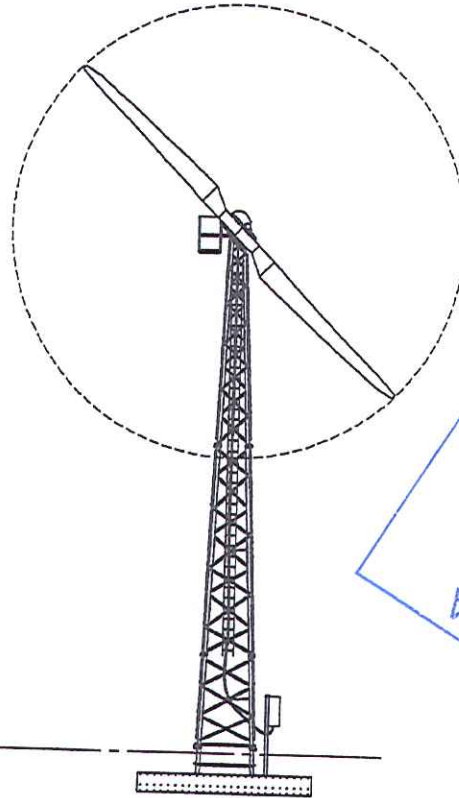


NYM / 2012 / 0130 / FL 4

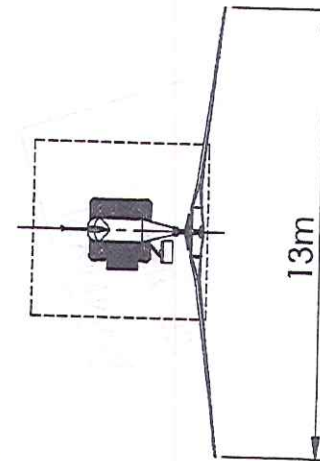
FRONT ELEVATION
(SHOWING ROTOR IN VERTICAL POSITION)



FRONT ELEVATION
(SHOWING ROTOR NORMAL TO VIEW)



PLAN VIEW
(SHOWING ROTOR IN HORIZONTAL POSITION)



NYMMPA
 27 FEB 2012

ZONE	REV.	DESCRIPTION	DRAWN	APPY'D	DATE
-	1	FRONT ELEVATION ADDED SHOWING ROTOR NORMAL TO VIEW.	DJL	PJR	09/02/2010

REVISIONS

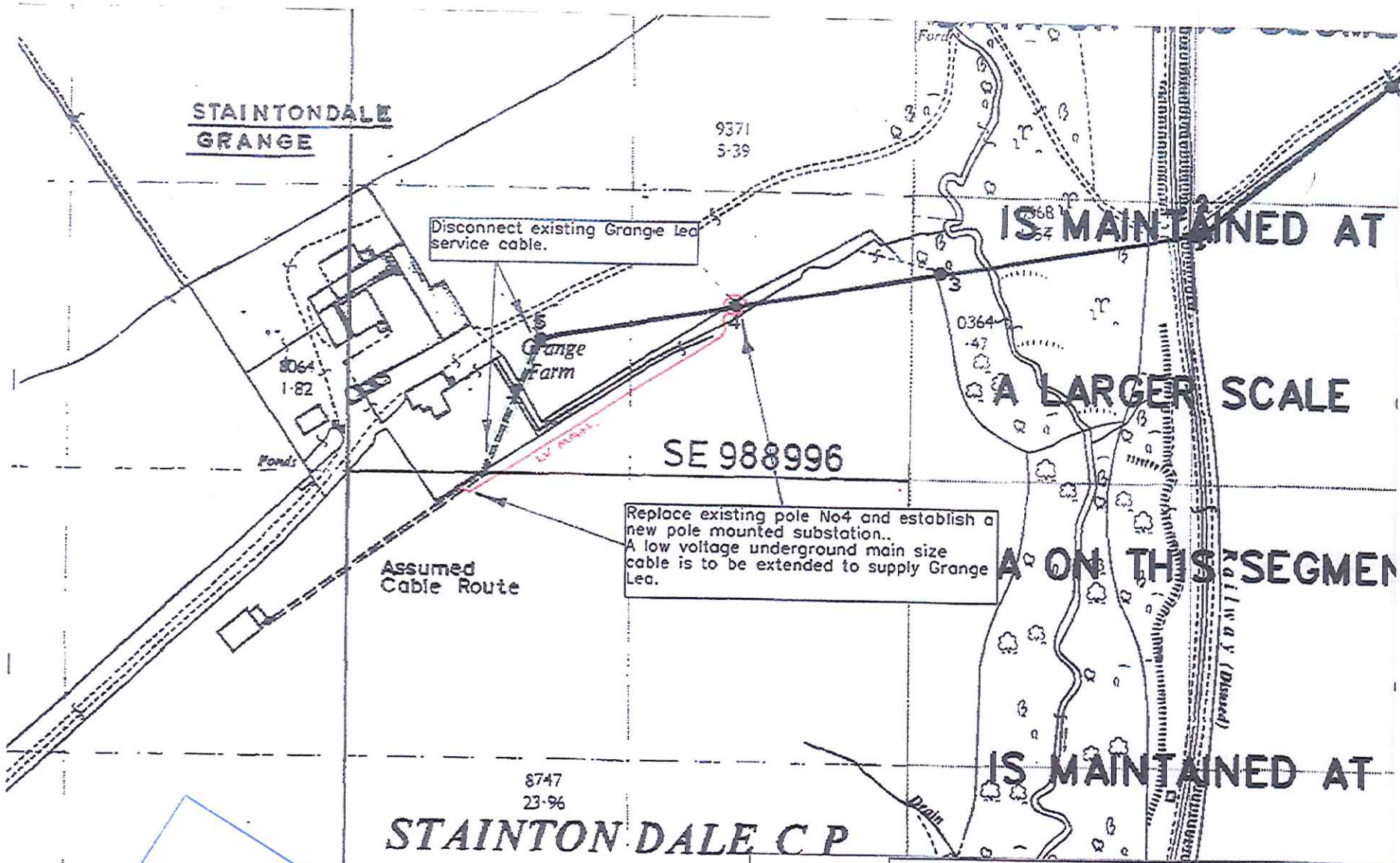
DO NOT SCALE DRAWING
 DEBUR AND BREAK SHARP EDGES
 THIRD ANGLE PROJECTION
 PERMANENT DIMENSIONS - 15M LATTICE TOWER OF WIND TURBINE



NAME	DATE
DJL	01/02/2010
PJR	01/02/2010
PJR	01/02/2010

COPYRIGHT © 2009 GAIA-WIND LTD		REVISION 1
TITLE: 133-11kW TURBINE - 15M LATTICE TOWER		DWG NO.
MATERIAL:		TOLERANCES
WEIGHT (KG):		SCALE: 1:200

NYMMPA
 27 FEB 2012

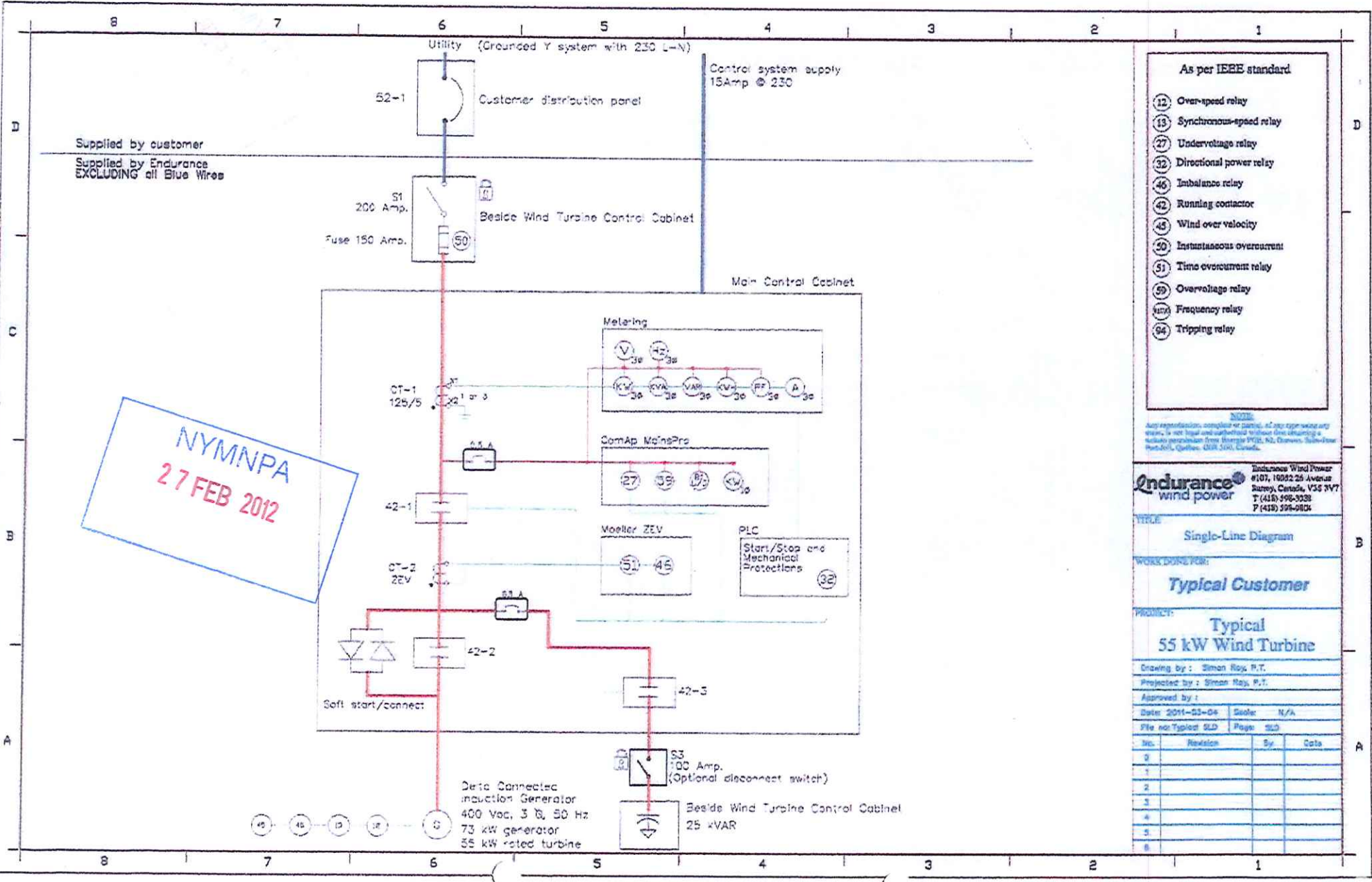


NYM/NPA
 27 FEB 2012

NEDL			
NEDL Lloyds Ct, 78 Grey St, Newcastle-Upon-Tyne, NE1 6AA			
Staintondale - Grange Farm, Generation.			
Scale 1:1250			
Drawn	Drg No.	Sheet No. of	
Date 23/Jun/11	Originator	O.S. Ref. SE9999	
Woods	File Ref.	NEDL No. EN05148205	

NYM / 2012 / 0130 / FEL - 1

NYM / 2012 / 0130 / FL



NYMNP
 27 FEB 2012

- As per IEEE standard
- (12) Over-speed relay
 - (13) Synchronous-speed relay
 - (27) Undervoltage relay
 - (32) Directional power relay
 - (46) Imbalance relay
 - (42) Running contactor
 - (45) Wind over velocity
 - (50) Instantaneous overcurrent
 - (51) Time overcurrent relay
 - (55) Overvoltage relay
 - (48) Frequency relay
 - (94) Tripping relay

NOTE:
 Any reproduction, compilation or partial or any other material
 herein, is not legal and prohibited without first obtaining a
 written permission from Energy PCL, NL, Ontario, Saskatchewan
 Manitoba, Quebec, BC, P.E.I., Canada.

Endurance wind power
 Endurance Wind Power
 #107, 16082 26 Avenue
 Surrey, Canada, V5S 3V7
 T (416) 596-3038
 F (416) 596-0824

TITLE
 Single-Line Diagram

WORK DONE FOR:
 Typical Customer

PROJECT:
 Typical
 55 kW Wind Turbine

Drawing by : Simon Roy, P.E.
 Projected by : Simon Roy, P.E.

Approved by :
 Date: 2011-03-04 Scale: N/A

No.	Revision	By	Date
0			
1			
2			
3			
4			
5			
6			