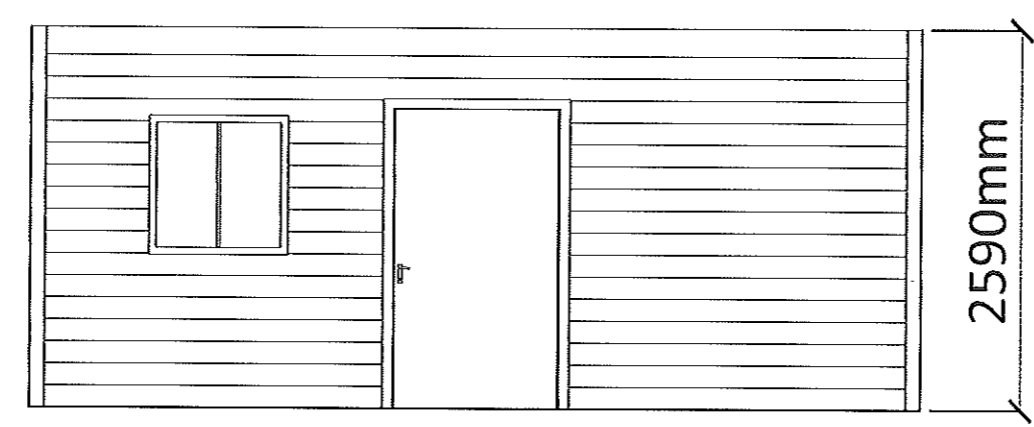
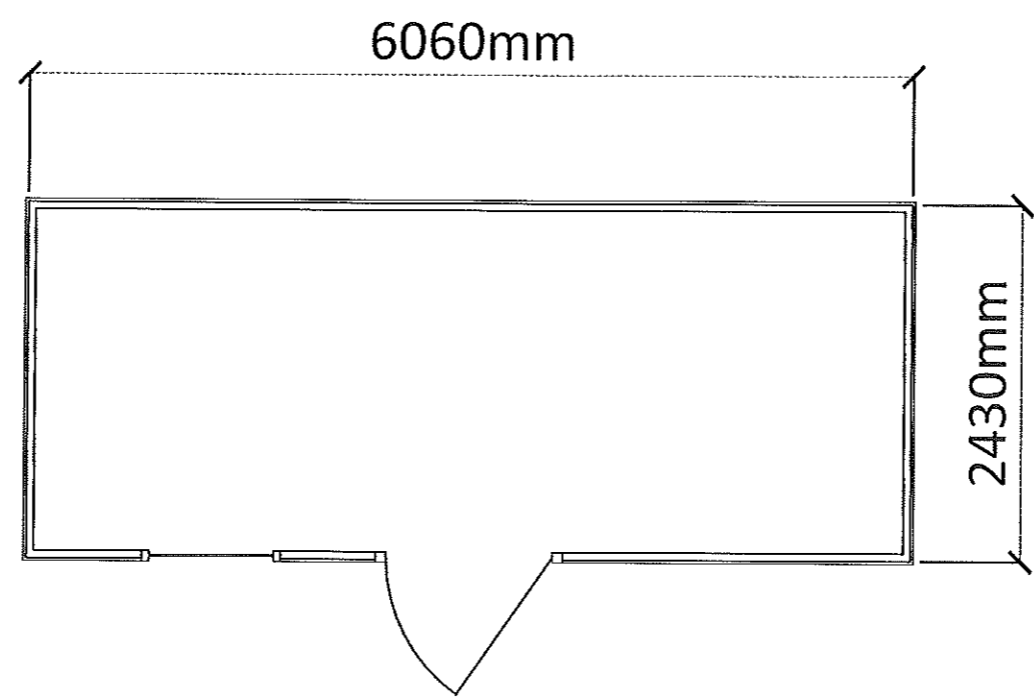


NYM / 2012 / 0748 / FL



NYMNPA  
-7 NOV 2012

PROJECT NAME  
AND ADDRESS

Go Ape  
Dalby Forest  
Segway Store

DRAWING TITLE

Floor Plan  
&  
Front Elevation

DATE:

November 2012

REVISION  
NUMBER

SCALE:

1:50

SPECIFICATION:

6060 x 2430 x 2590mm Containers clad with stained larch wood



NYMMPA  
-7 NOV 2012

Ordnance Survey®



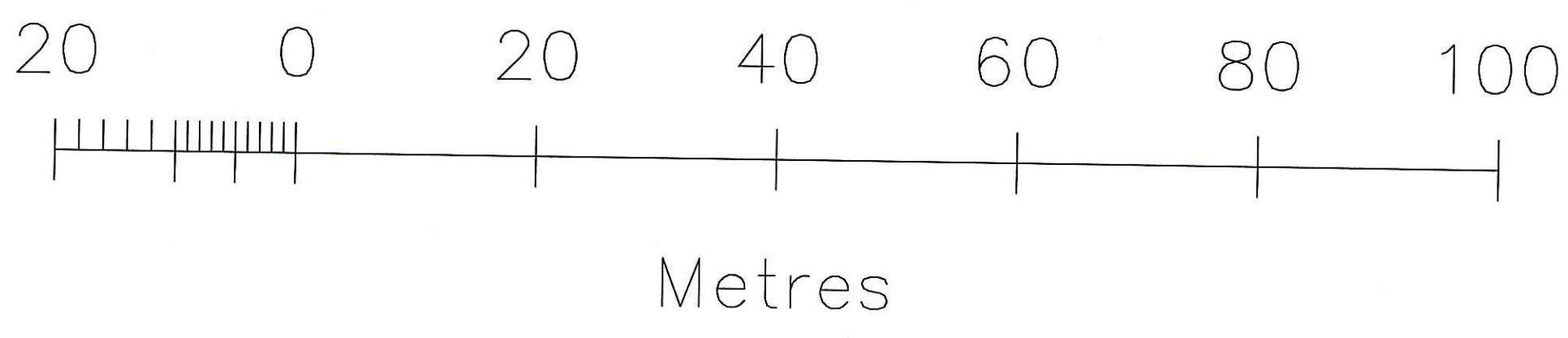
OS Mastermap™



### Go Ape - Dalby Segway Container 1:500 Block Plan

© Crown Copyright. All rights reserved. Licence No. 100041040  
Licence IBU12  
Order Number: BW1-197636-14915-301012  
Print Date: 6th November 2012

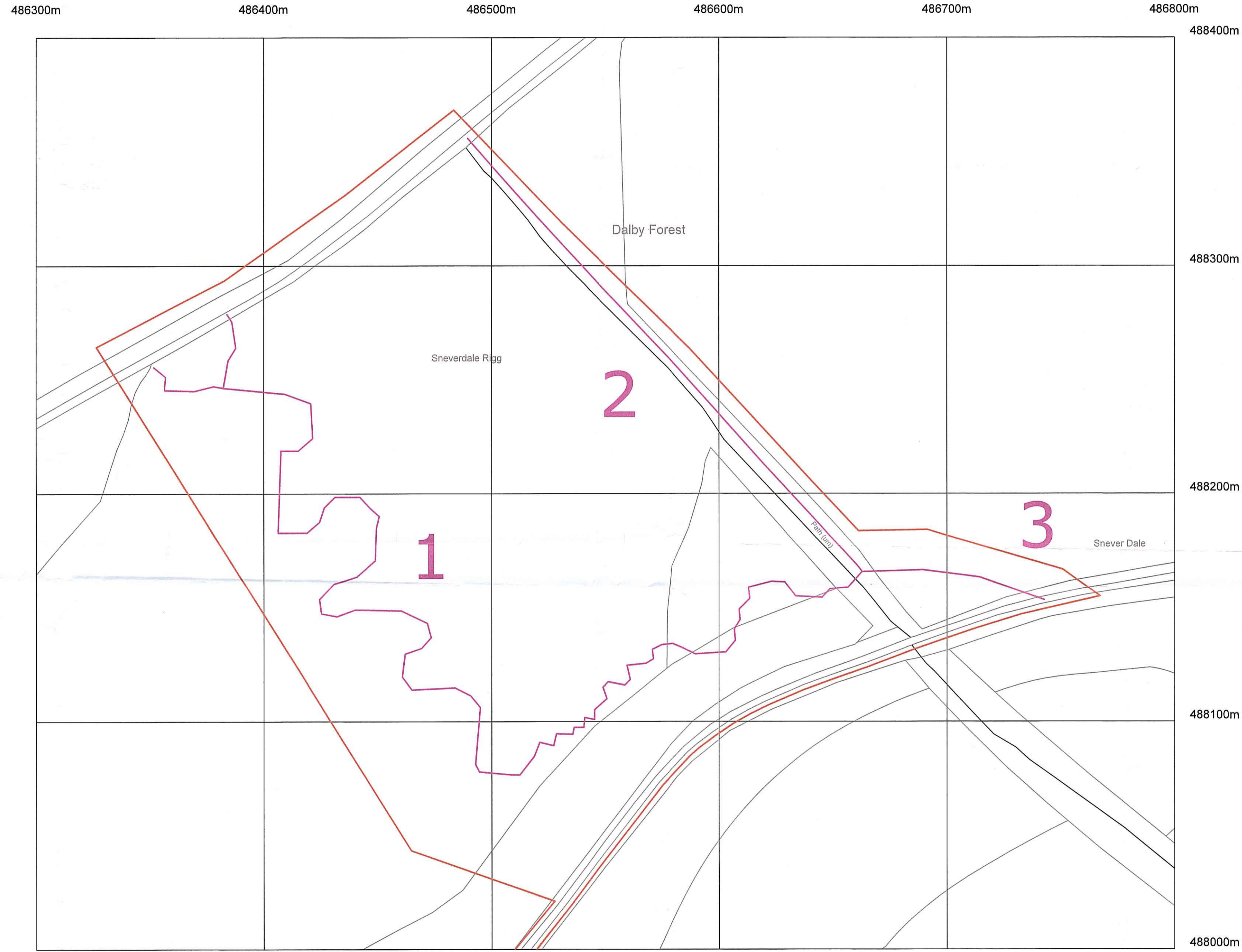
- Proposed Fenceline around Segway Training Area
- Planning Area
- Existing Treetop Adventure Course and associated infrastructure



Ordnance Survey®



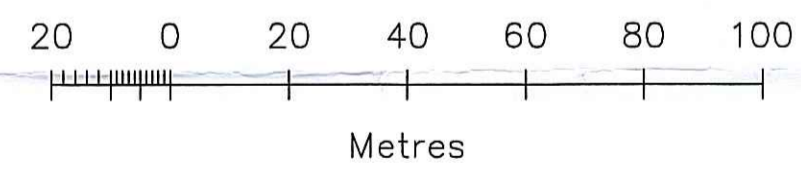
OS Mastermap™



NYM  
- 7 NOV 2012

Go Ape - Dalby Segway Trails  
1:1250 Block Plan

© Crown Copyright. All rights reserved. Licence No. 100041040  
Licence IBU12  
Order Number: BW1-197636-14915-301012  
Print Date: 6th November 2012



— Segway Trails  
— Planning Area