

Copyright Studio Stead

NOTES:
All dimensions to be checked on site, not scaled from this drawing.
Any discrepancies on this drawing with other contract documents to be reported immediately to the Contract Administrator for clarification.

NYMNPA
22 NOV 2012

FOR PLANNING

rev	date	by	comment	chkd

STUDIO STEAD Barclays Bank House, Baxtergate, Whitby North Yorkshire YO21 1BW

Client
Mr & Mrs Robinson

Job
Ladycross Plantation Caravan Park
Whitby
North Yorkshire
YO21 1UA

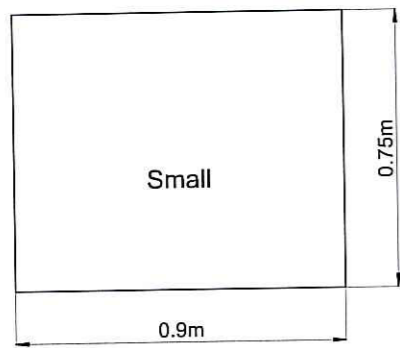
Drawing Title
Proposed storage boxes

Scale
1:20 @ A3

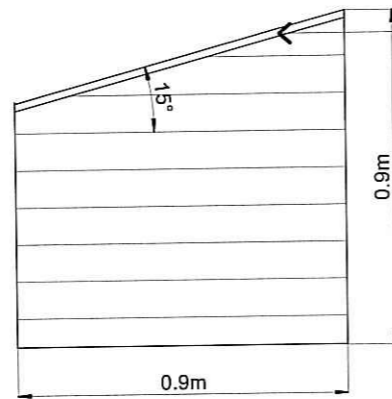
Date	Drawn	Issued	Checked
Nov 2012	SS	SS	

Drg. No. 033/04 Rev.

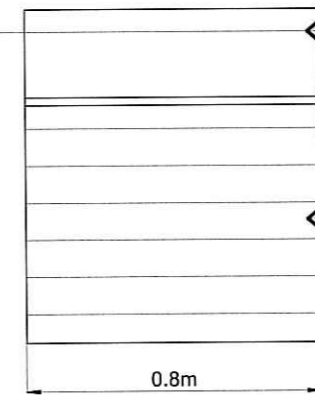
Proposed small storage box:



Plan



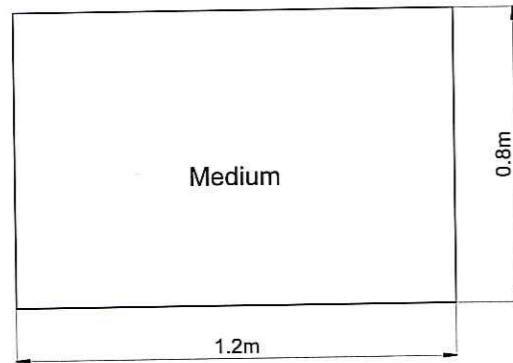
Side and front elevations



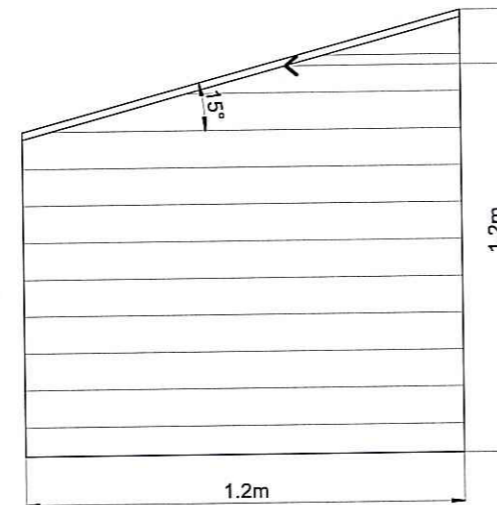
Lid

Horizontal timber cladding

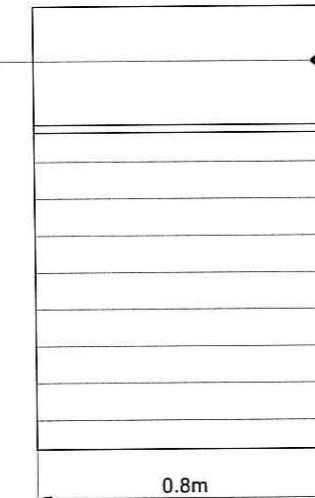
Proposed medium storage box:



Plan

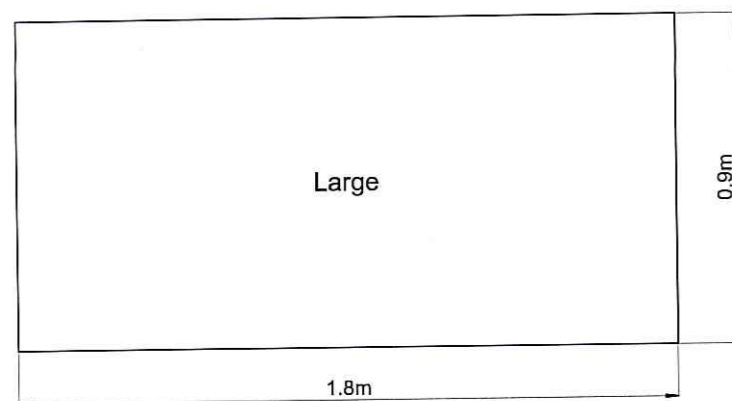


Side and front elevations

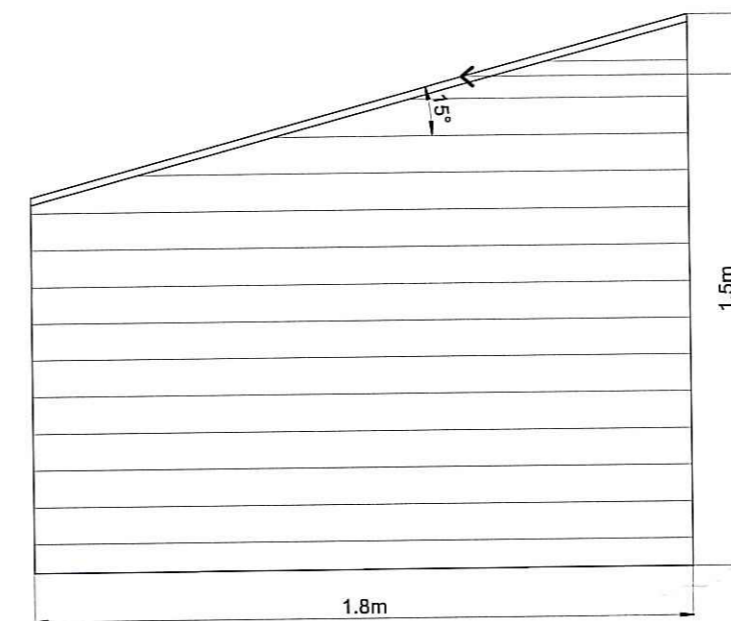


Lid

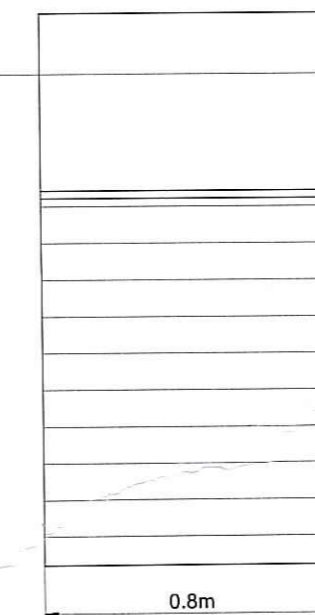
Proposed large storage box:



Plan



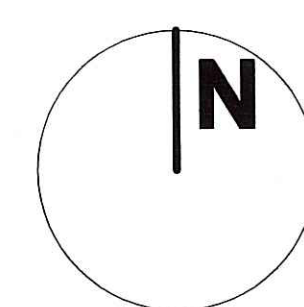
Side and front elevations



Lid



SCALE 0 10 20 30 40 50 100m



Copyright Studio Stead

NOTES:
All dimensions to be checked on site, not scaled from this drawing.

Any discrepancies on this drawing with other contract documents to be reported immediately to the Contract Administrator for clarification.

KEY

- Site Boundary
- Toilet Block
- Bin Store
- Water & Fire Point
- Parking
- Play Area
- Caravan
- Motorhome
- Camping Pod
- Static Caravan
- Lodge

rev	date	by	comment	chkd
A	21/11/12	SS	Lodges repositioned	

STUDIO STEAD Barclays Bank House,
Baxtergate, Whitby
North Yorkshire YO21 1BW

Client
Ladycross Plantation

Ladycross Plantation
Egton
Whitby
YO21 1UA

Drawing Title
Site Plan as Proposed

Scale 1:500 @ A0

Date	Drawn	Issued	Checked
July 2012	SS	SS	

058 02	Rev. A
--------	-----------

Site Plan as Proposed
Scale 1:500 at A0

NYM/0785
22 NOV 2012