



SUMMARY FAN DATA SHEET

Nuair Limited, Western Industrial Estate, Caerphilly, CF83 1NA, United Kingdom.

UK Technical Enquiries

International Enquiries

Whilst the information given on this data sheet is fan specific, it is in summary and reference to the product selection catalogue and installation & maintenance documents is recommended.
This data sheet produced on 31 Jan 2011 12:24 using software version 2.4.35 - 27 January 2011

Technical Data

AX - Axus Circular, GRP Blades Circular Cased Axial Fan

Fan Code:	AX50P-451
Installation Manual Links:	671220
Nominal Fan Speed:	4 Pole 1,370 RPM
Electrical Supply:	1 Phase
Nominal Motor Rating:	0.75 kW
Motor Current:	flc: 5.4 A
Motor Current:	sc: 21.06 A
Overload Setting:	5.94 A
Blade Angle:	35 °
Max. Operating Temp.:	55°C
Weight:	31 kg

Sound Data

Acoustic performance to BS848 Part 2.2 and AMCA 300.

Breakout Noise (dBA): 51 dBA @ 3m (25% of Max Pa)

Breakout Noise (dBA): 52 dBA @ 3m (90% of Max Pa)

Breakout level is spherical. For hemi-spherical add 3 dBA.

Sound Power Levels re 1 pWatts (Hz):

Hz	63	125	250	500	1k	2k	4k	8k
Induct Inlet(90%)	81	80	85	77	76	72	66	60
Induct Outlet(90%)	84	81	86	77	76	73	68	63
Open Inlet(90%)	72	74	81	76	76	72	66	60
Open Outlet(90%)	74	75	83	76	75	72	68	63
Breakout(90%)	78	74	79	70	64	61	51	40
Induct Inlet(25%)	79	80	80	77	76	72	68	60
Induct Outlet(25%)	83	81	84	78	76	73	68	63
Open Inlet(25%)	70	74	77	76	76	72	68	60
Open Outlet(25%)	74	75	81	77	76	73	68	63
Breakout(25%)	77	74	75	71	64	61	52	40

Above noise measured at stated percent of maximum working pressure.

Values shown are for inlet Lw and outlet Lw sound power levels for: Installation Type D: ducted inlet, ducted outlet. Ratings include the effects of duct end correction.

Project Details

Location: EF03 -

- 8 MAY 2015

Selected Ancillaries

1 x NAV2	Anti-vibration mounting kit
1 x CMB50	Mounting bracket (pair)
2 x CMF50	Matching flange
2 x CFC50	Flexible connector

Specification

Axus circular inline axial flow fan manufactured from pre-galvanized mild steel for sizes 250-1250 diameter. 1400 diameter and above are manufactured from mild steel with hot dip galvanized finish. Fan incorporates inlet and outlet flanges with pre-drilled bolt holes, and an external terminal box to IP55. The motor is totally enclosed and protected to IP55, foot mounted class 'F' insulated and has sealed for life ball bearings. Blades manufactured from injection moulded GRP mounted in a die cast aluminium alloy hub as standard.

NOTE: This unit cannot be inverter speed controlled.

NAV2

Resilient rubber anti-vibration mountings, supplied as a set of 4.

CMB50

The mounting brackets are manufactured from heavy gauge galvanised steel and supplied in pairs.

CMF50

The matching flanges are manufactured from galvanised steel and are supplied individually.

CFC50

Circular flexible connector without flanges. Flexible duct material is flameproof and resistance to heat up to 132°C, chemicals, ozone, oil and grease. The material is airtight, waterproof and tested to BS476 Part 7. Supplied complete with fixing straps.

Wiring Information

For complete wiring details please refer to the Installation & Maintenance Manual reference 671220 attached to this document.

SUMMARY FAN DATA SHEET - PERFORMANCE

Nuaire Limited, Western Industrial Estate, Caerphilly, CF83 1NA, United Kingdom.

UK Technical Enquiries

International Enquiries

Whilst the information given on this data sheet is fan specific, it is in summary and reference to the product selection catalogue and installation & maintenance documents is recommended.
This data sheet produced on 31 Jan 2011 12:24 using software version 2.4.35 - 27 January 2011

Technical Data

AX - Axus Circular, GRP Blades

Circular Cased Axial Fan

Fan Code:

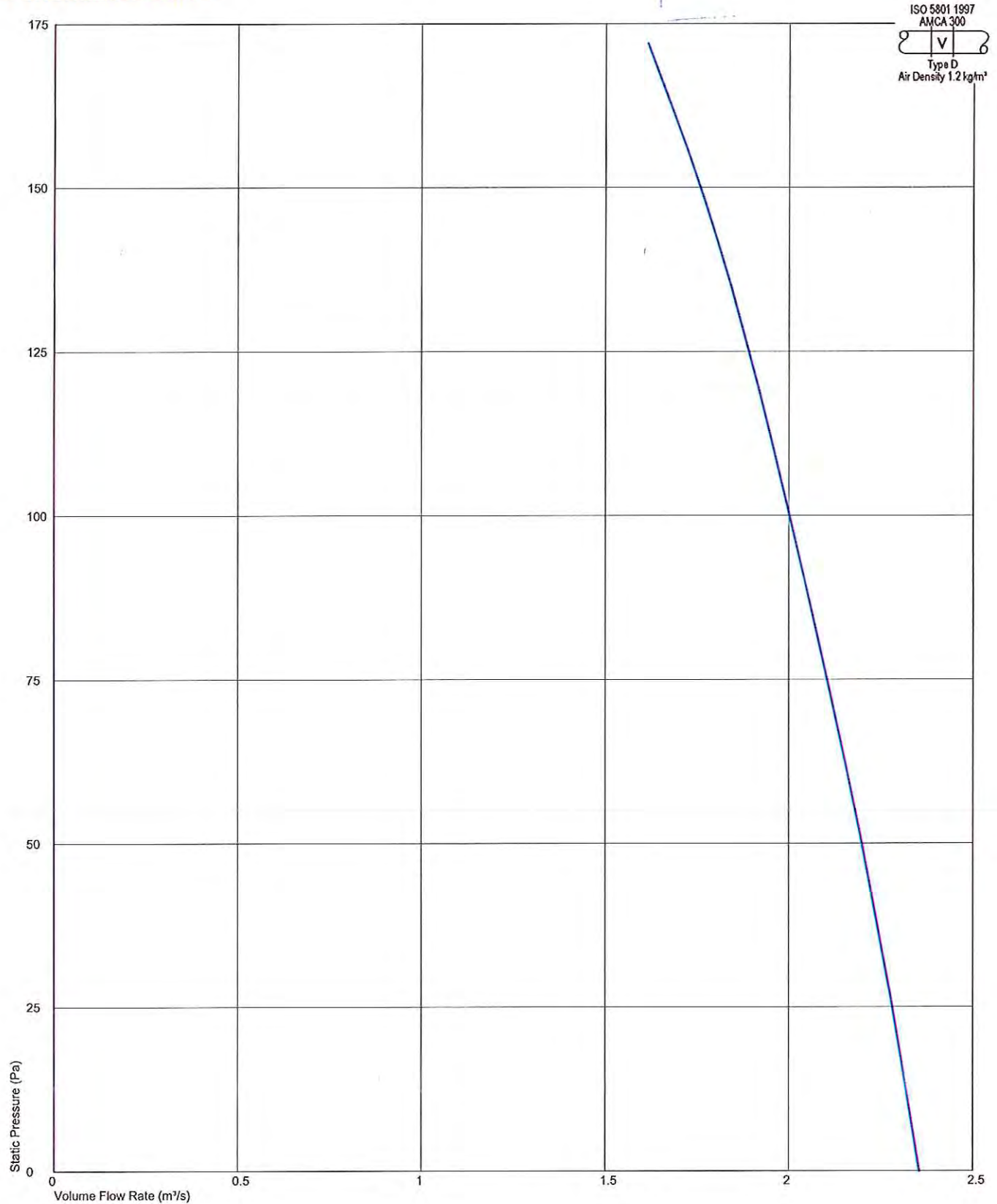
AX50P-451

Project Details

Location: EF03 -

- 8 MAY 2015

Performance Curve



nuaire SUMMARY FAN DATA SHEET - DRAWINGS

Nuaire Limited, Western Industrial Estate, Caerphilly, CF83 1NA, United Kingdom.

UK Technical Enquiries

International Enquiries

Whilst the information given on this data sheet is fan specific, it is in summary and reference to the product selection catalogue and installation & maintenance documents is recommended. This data sheet produced on 31 Jan 2011 12:24 using software version 2.4.35 - 27 January 2011

Technical Data

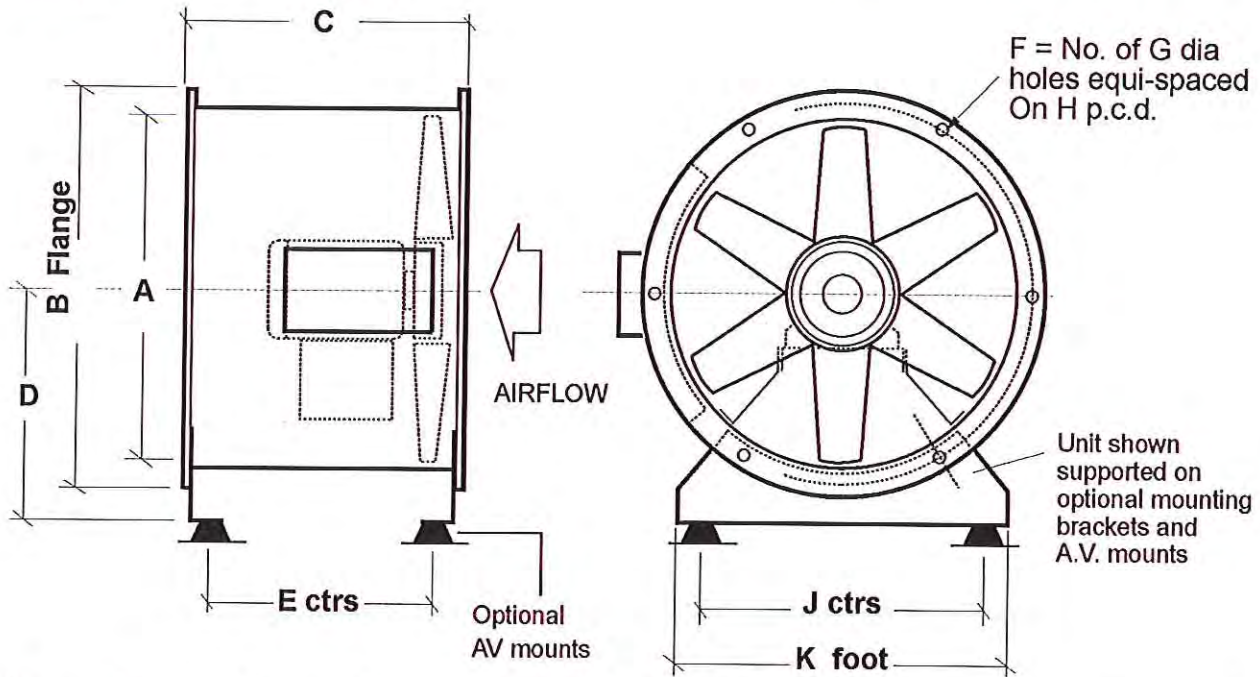
Circular Cased Axial Fan

Fan Code:

AX50P-451

Project Details

Location: EF03 -

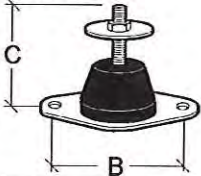


A	B	C	D	E	F	G	H	J	K	kg
500	608	465	340	385	12	12	560	380	430	31

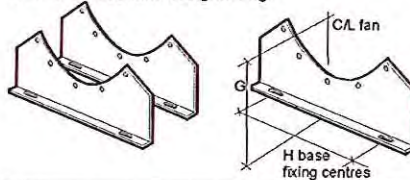
The drawing is for dimensional purposes only. Dimensions in mm.

Ancillary Dimensions

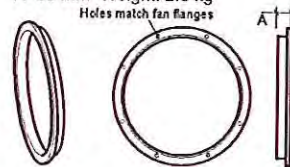
NAV2 - Anti-vibration mounting kit
B=45 C=75 mm



CMB50 - Mounting bracket (pair)
G=340 H=380 mm Weight: 4 kg

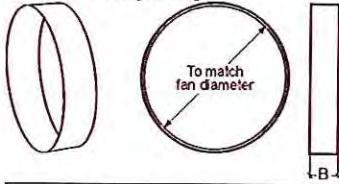


CMF50 - Matching flange
A=65 mm Weight: 2.5 kg
Holes match fan flanges



CFC50 - Flexible connector

B=150 mm Weight: 1 kg



- 8 MAY 2015