

W0002131

PUNCH  
STATION TAVERN

WHITBY

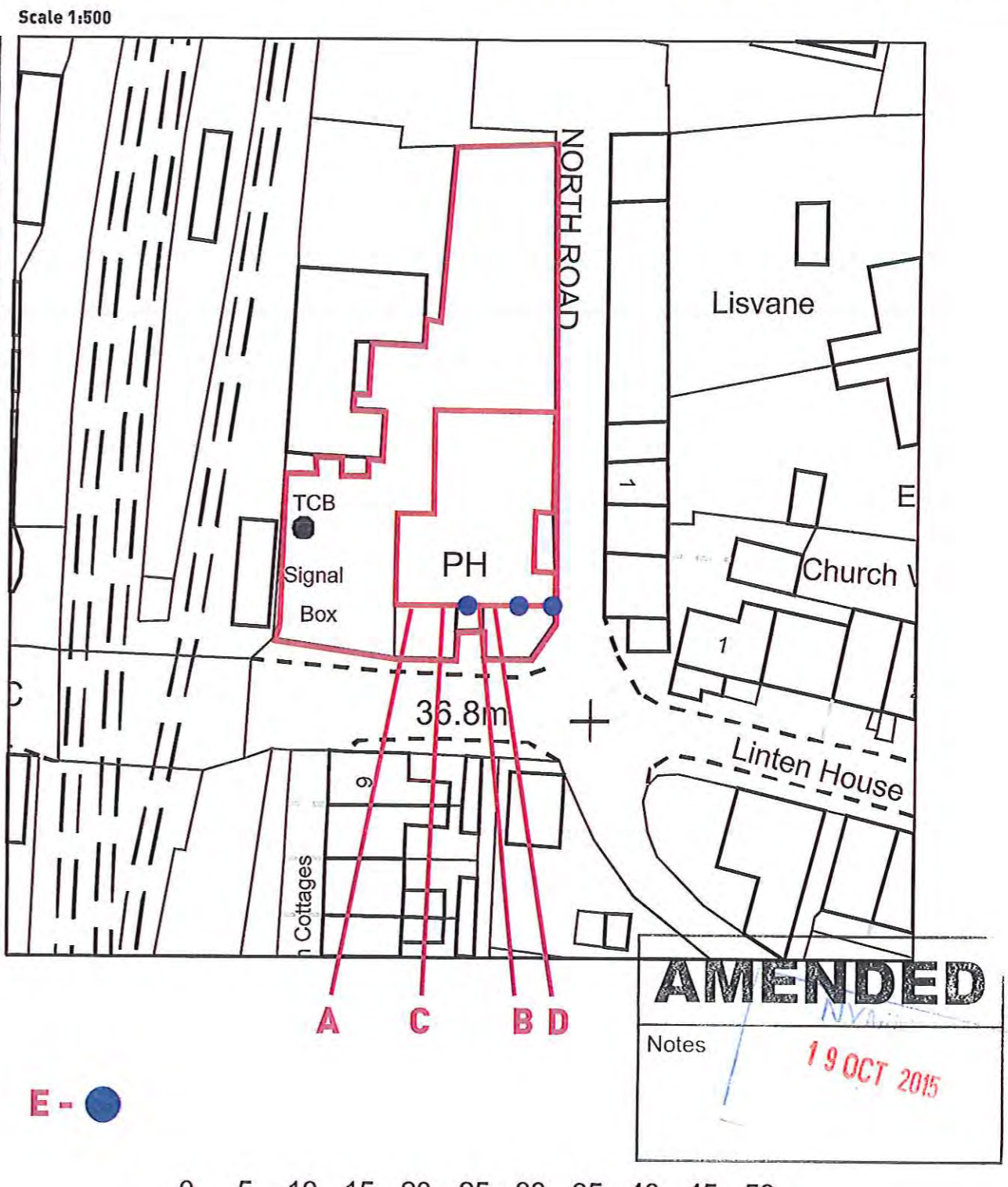
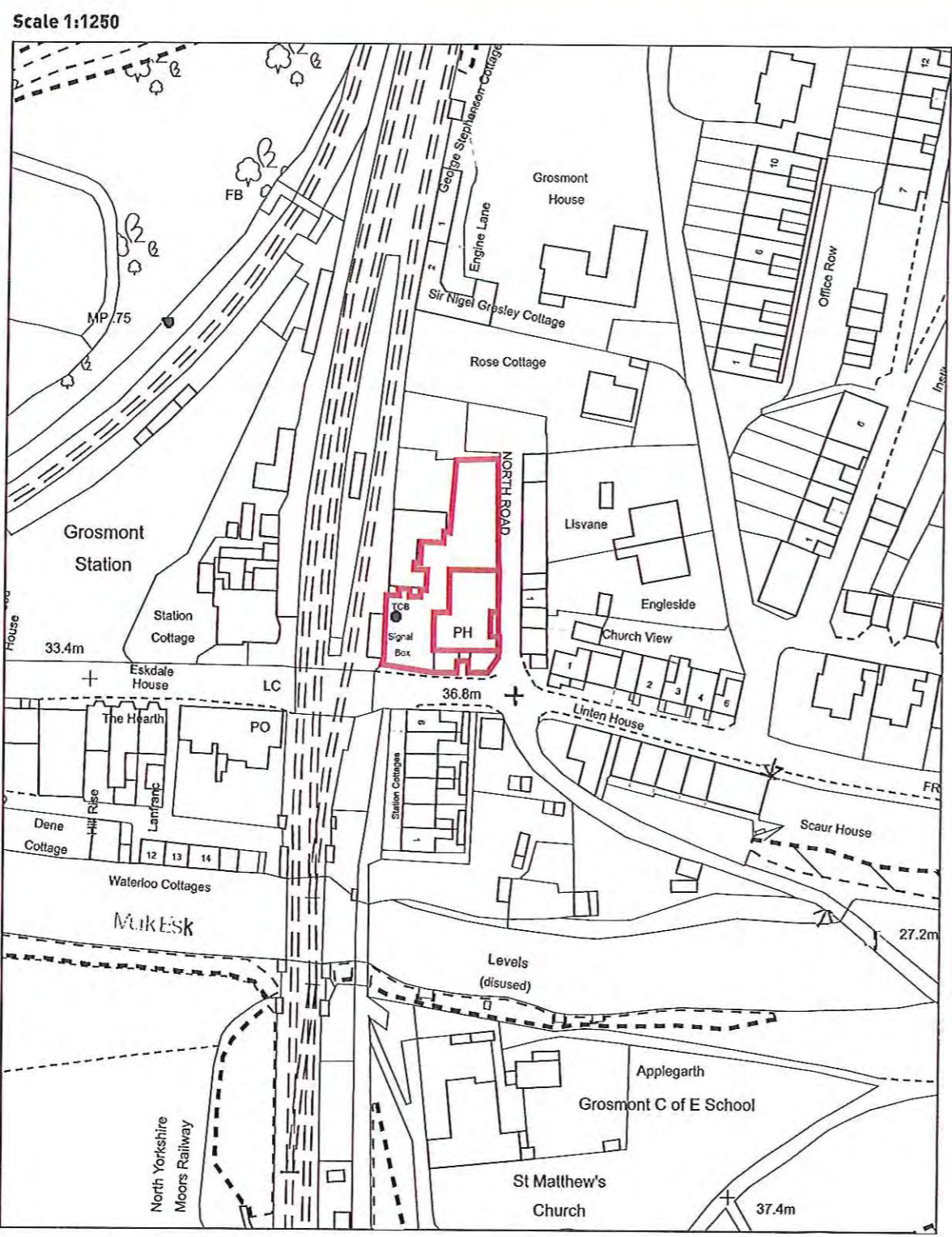
10 09 15 dr  
Rev A - 19 10 15 dr



copy licence No. 100048453  
scale 1:1250 & 1:500 @ a3




NB Please always refer to actual paint references for accurate colour representations



**AMENDED**  
Notes  
19 OCT 2015

W0002131  
 PUNCH  
**STATION TAVERN**  
 WHITBY

10 09 15 dr  
 Rev A - 19 10 15 dr



Insignia

**copy licence No. 100048453**  
**scale 1:20, 1:10 & 1:100 @ a3**



Sign Colour/  
Doors/Cills



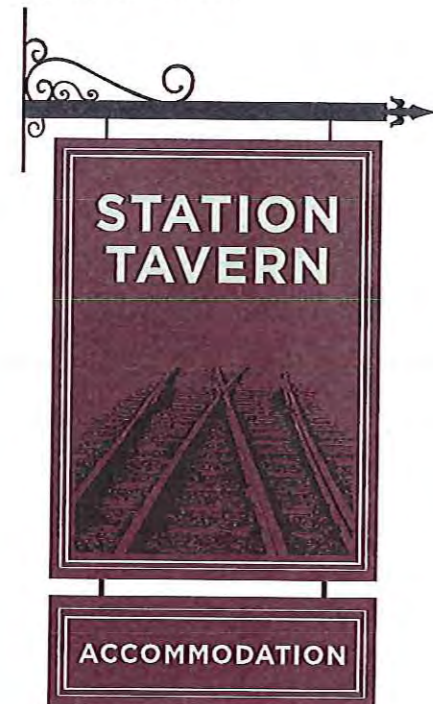
Sign Text/  
Window Frames



Sign Graphic

NB Please always refer to actual paint references for accurate colour representations

Sign A - Scale 1:20



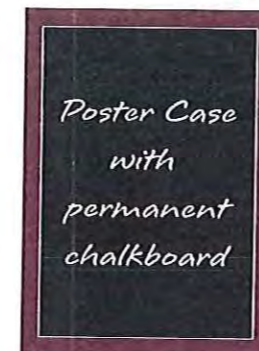
Sign B - Scale 1:20



Sign C - Scale 1:20



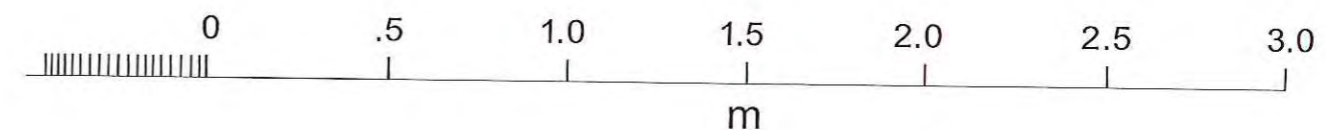
Sign D - Scale 1:20



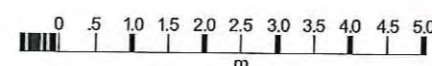
Sign E - Scale 1:20



Not to scale



Front Elevation - Scale 1:100



NYM  
 19 OCT 2015

- Sign A - One double sided aluminium bullnose pictorial sign complete with sub panel and steel gibbet. Illuminated by trough lights. 900 x 1200mm. Sub panel - 900 x 300mm. Gibbet span - 1140mm.
  - Sign B - One aluminium bullnose fascia sign with sets of individual locator fixed letters. Illuminated by led trough light. 4300 x 600mm, T - 280mm, span - 3845mm.
  - Sign C - One A1 poster case with amenity wording. 687 x 942mm.
  - Sign D - One A1 poster case with permanent chalkboard. 687 x 942mm.
  - Sign E - Three low energy led floodlights. 227 x 185 x 125mm.
  - Sign F - Omitted from scheme.
  - Sign G - Omitted from scheme.
- Please note - Existing lanterns over poster cases to remain.

**AMENDED**

Notes

All illuminated signage does not exceed 500cd/m2

W0002131  
PUNCH  
STATION TAVERN  
WHITBY

10 09 15 dr  
Rev A - 19 10 15 dr



# copy licence No. 100048453

## scale 1:10 @ a3



Sign Colour/  
Doors/Cills



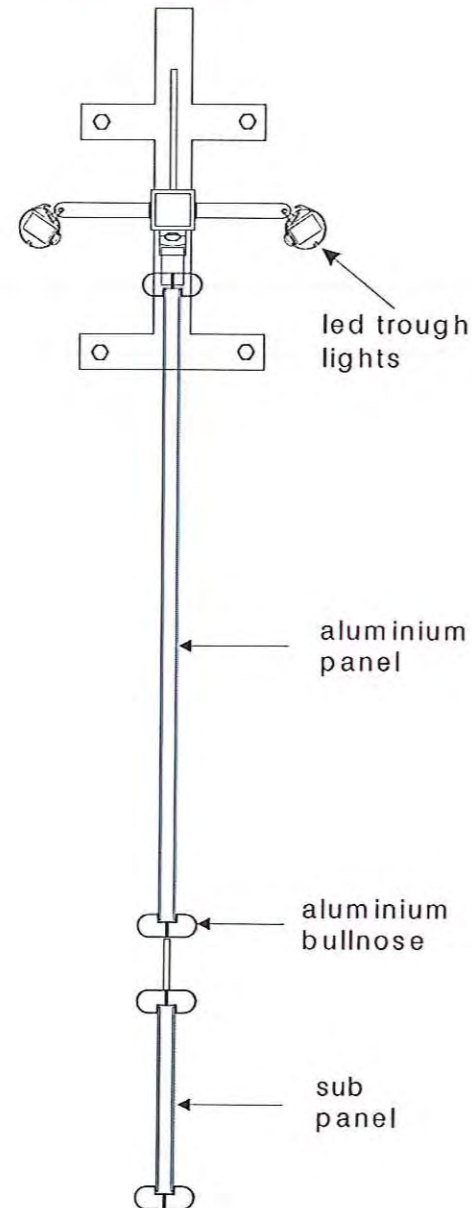
Sign Text/  
Window Frames



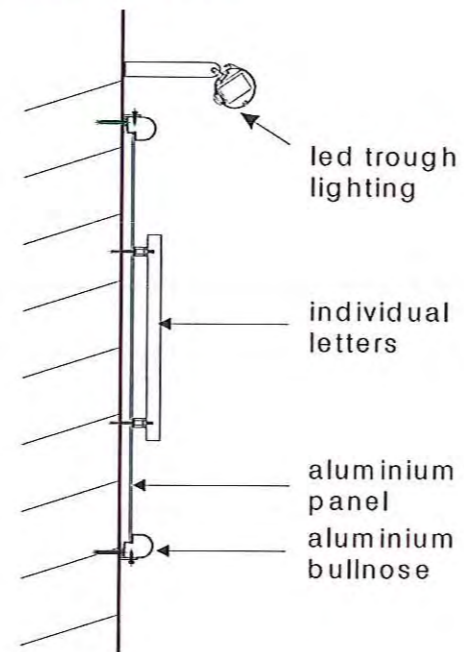
Sign Graphic

NB Please always refer to actual paint references for accurate colour representations

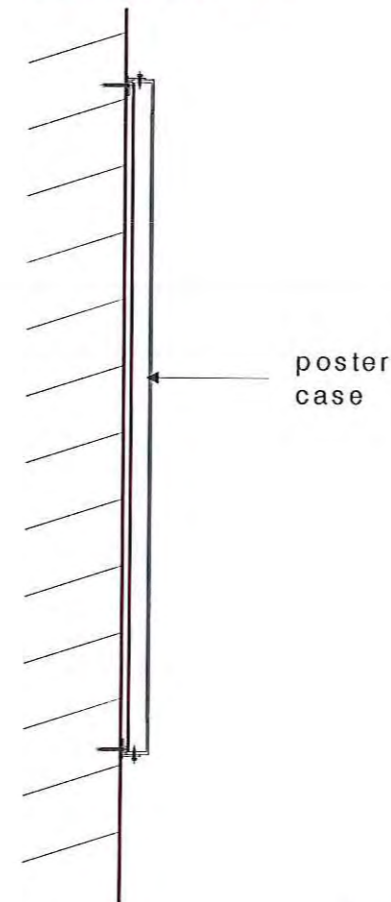
SIGN A - scale 1:10



SIGN B - scale 1:10



SIGN C & D - scale 1:10



19 OCT 2015

**AMENDED**  
Notes

