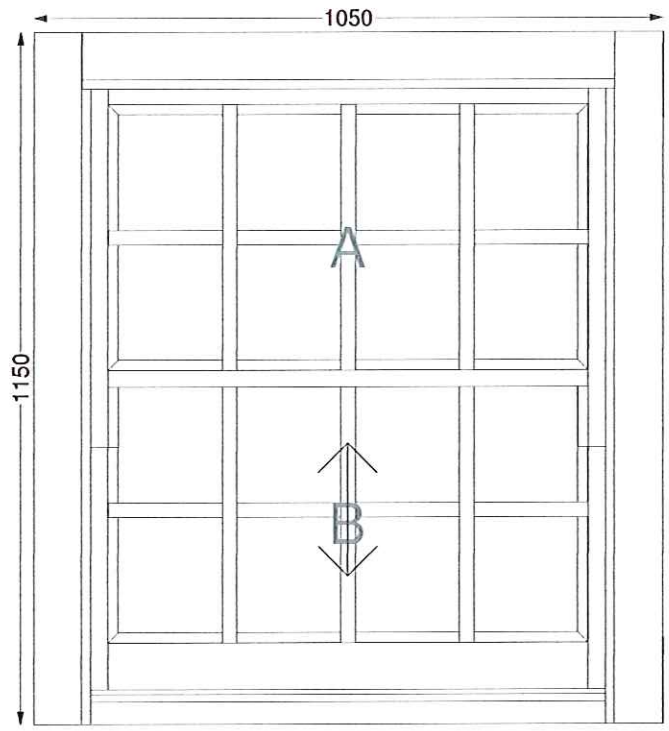


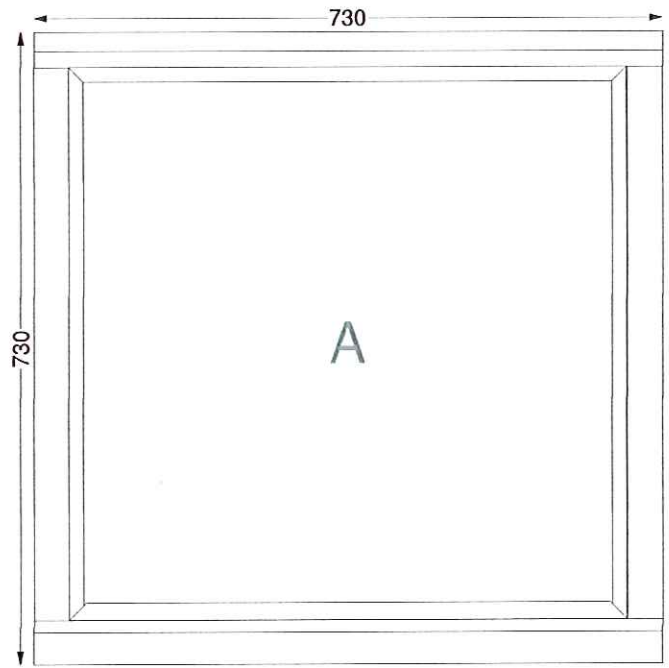
Client **P.M Straw**
Job **Outhouse**

1 X Sliding Sash - W1 (Sliding)

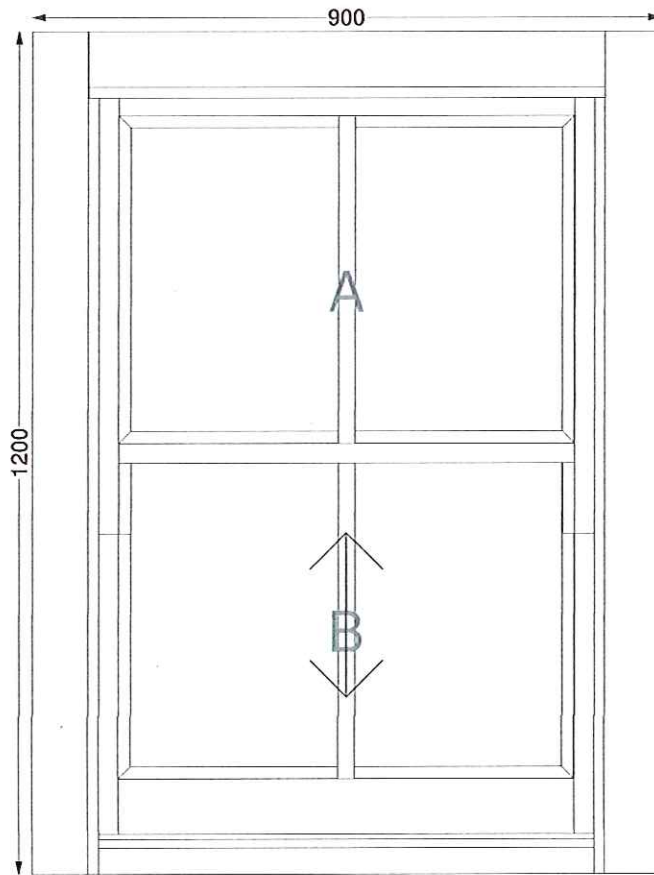


NYMNDPA
15 SEP 2015

1 X Window - W2 (Direct)

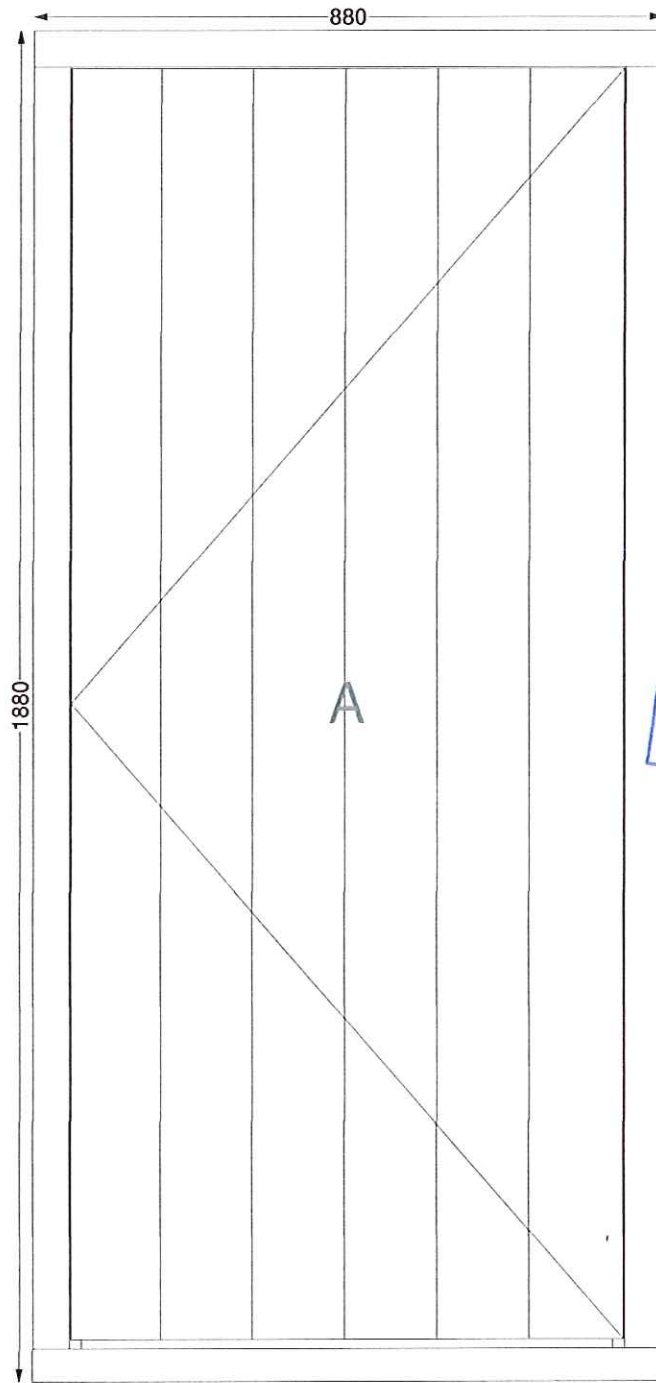


1 X Sliding Sash - W3 (Sliding)



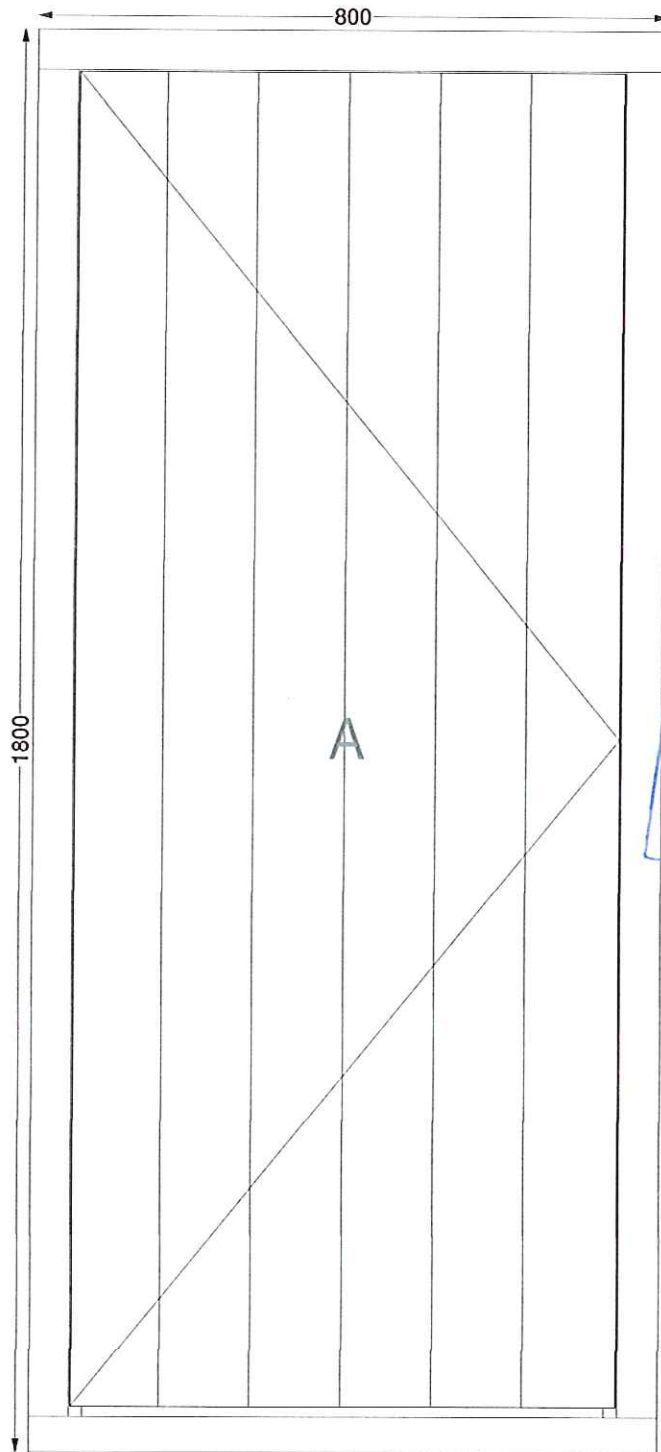
NV...
15 SEP 2015

1 X Door Frame - D1 (Outhouse)



Approved
15 SEP 2015

1 X Door Frame - D2 (Outhouse)

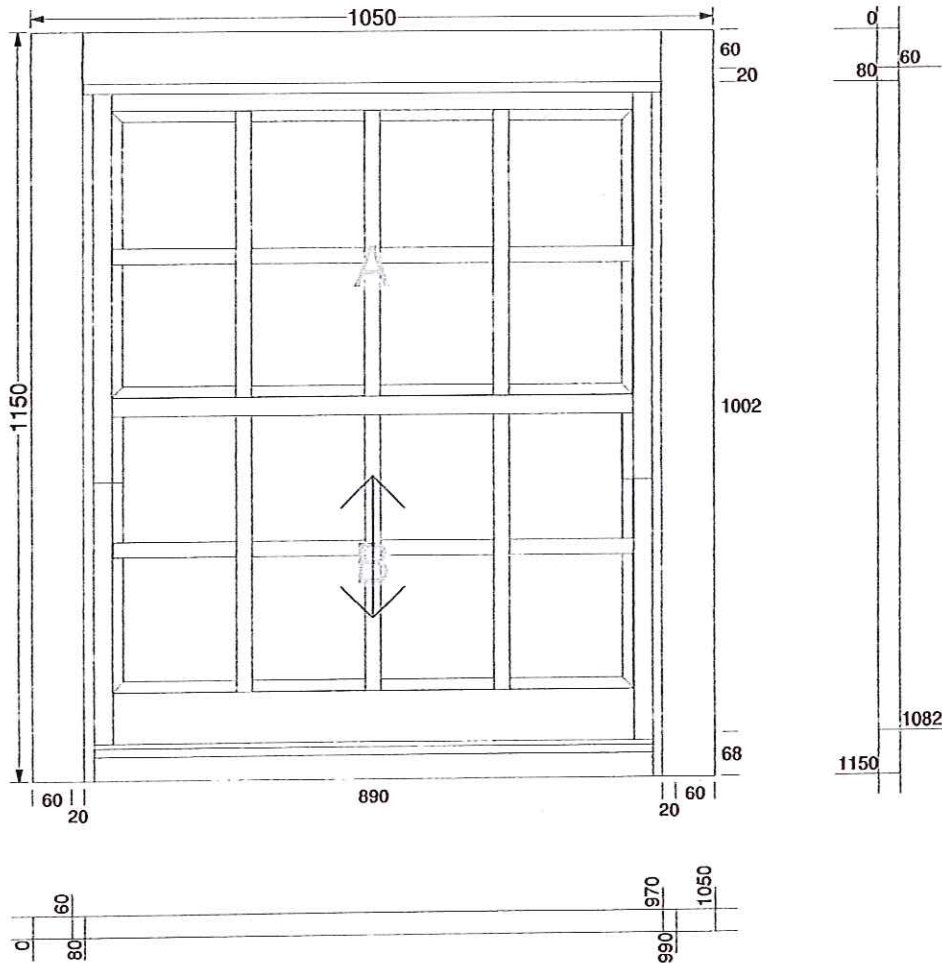


RYMADA
15 SEP 2015

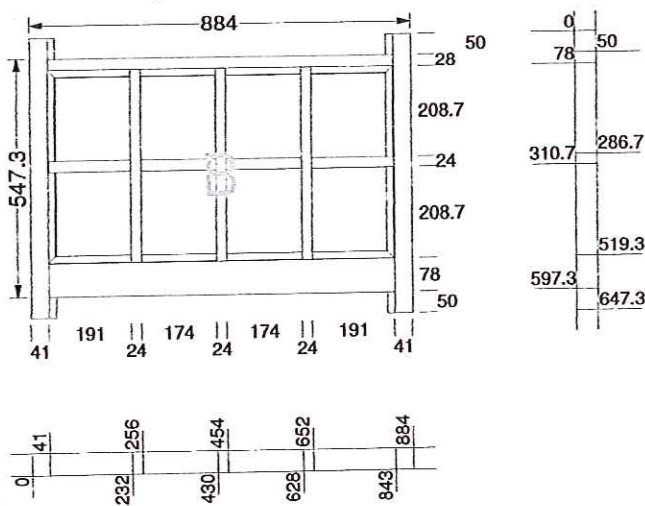
Client **P.M Straw**

Job **Outhouse**

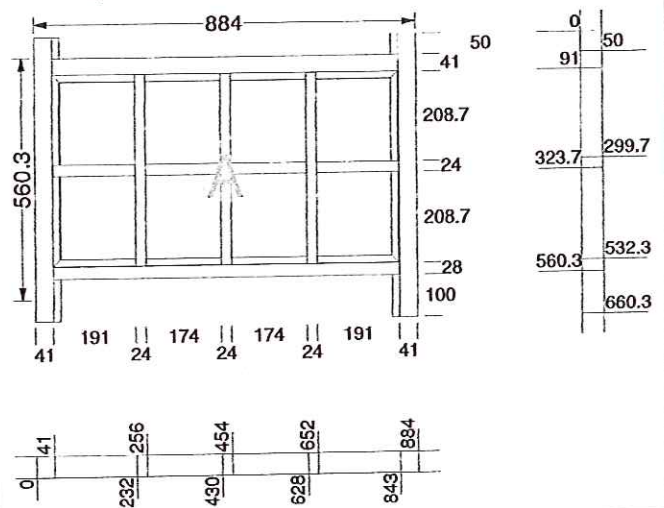
1 X Sliding Sash - W1 (Sliding)



W1 Bottom sliding sash

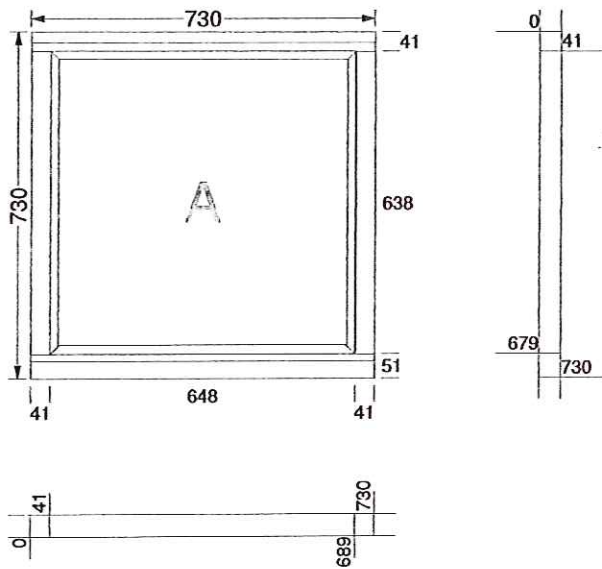


W1 Fixed top sash

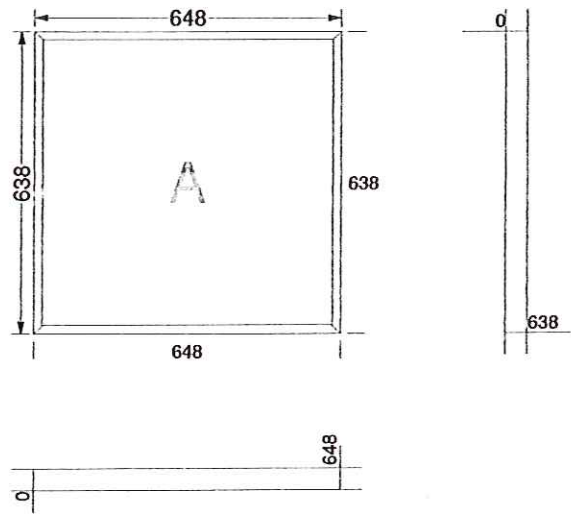


Mid size Diagrams with setting out

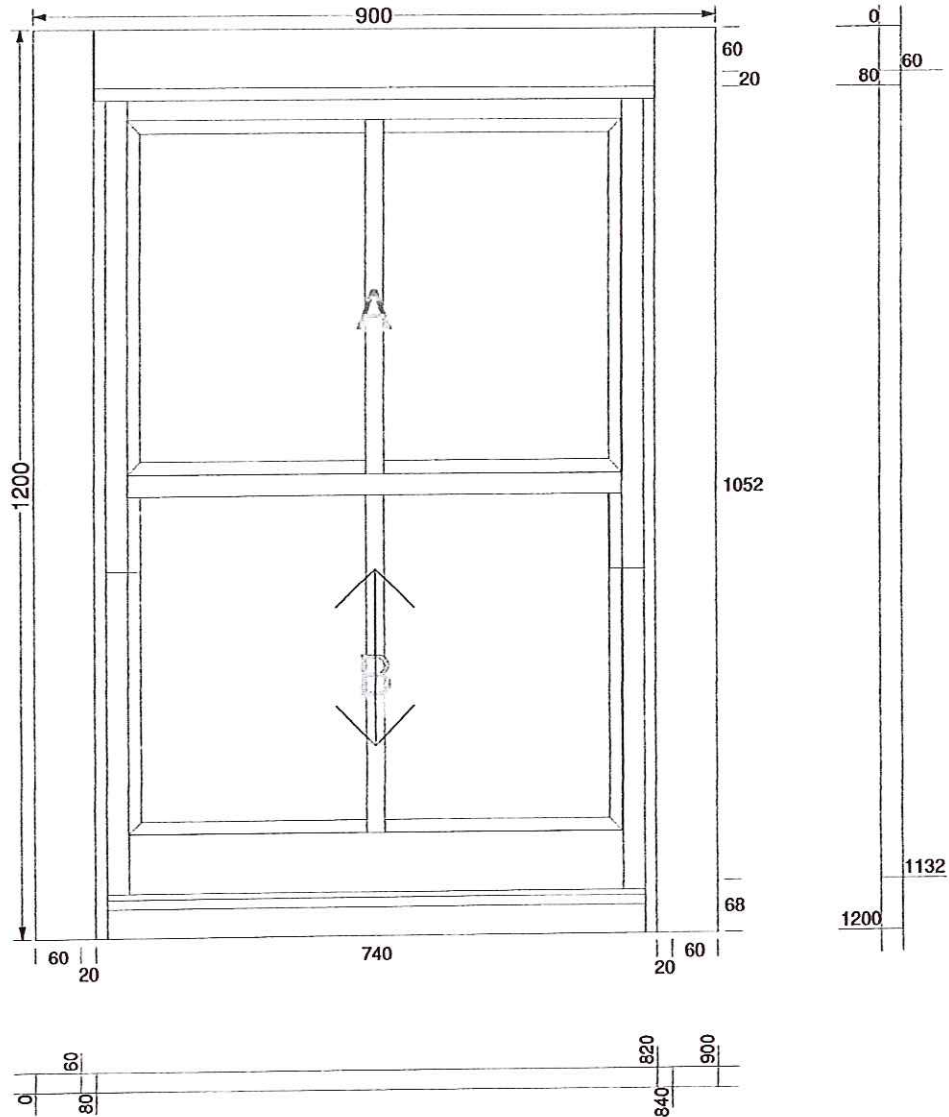
1 X Window - W2 (Direct)



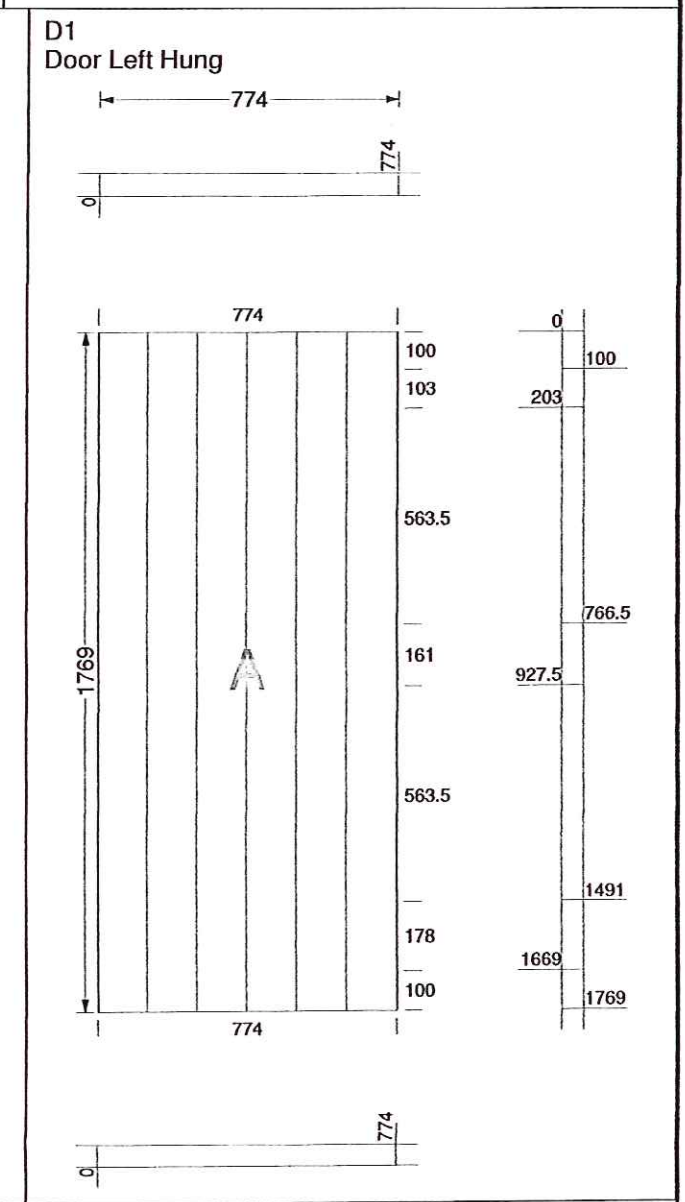
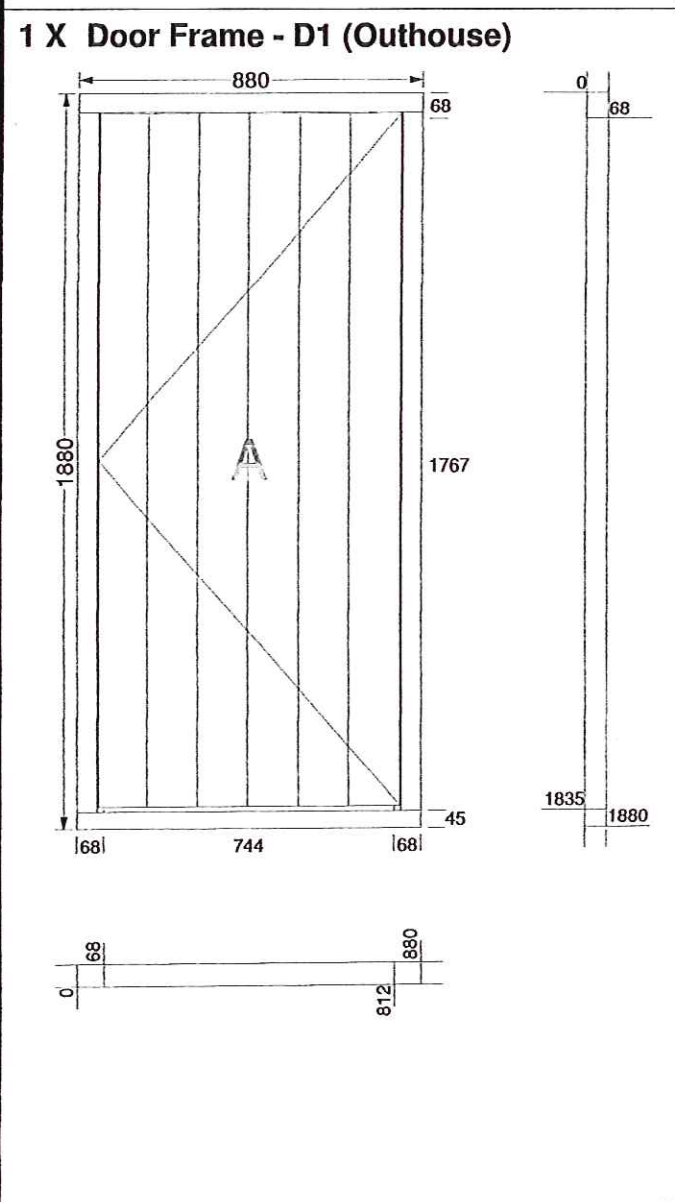
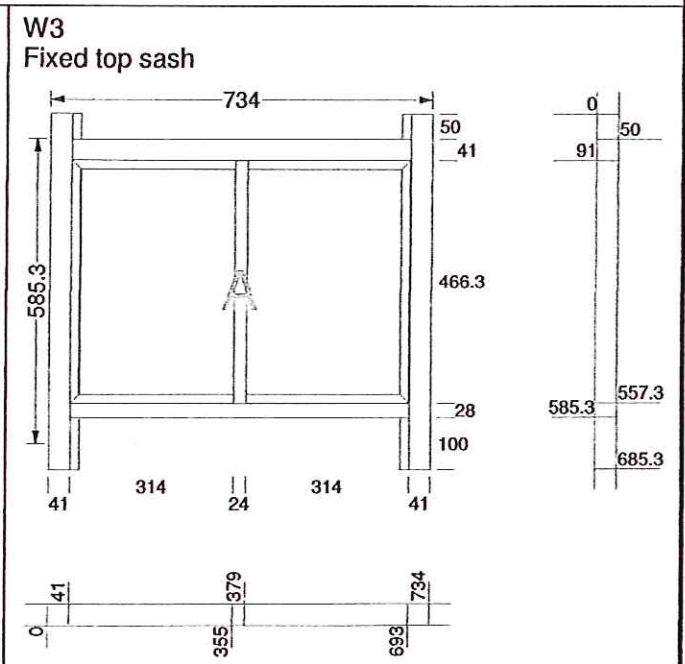
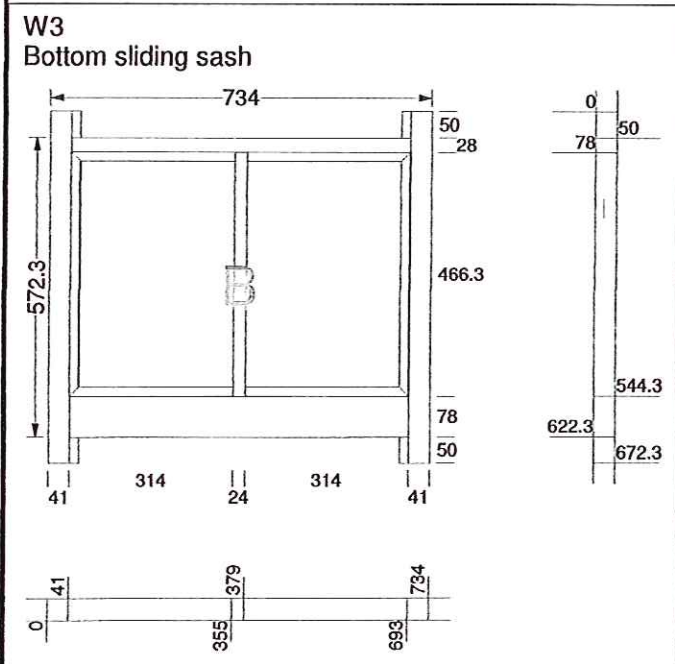
W2 Direct glazing



1 X Sliding Sash - W3 (Sliding)



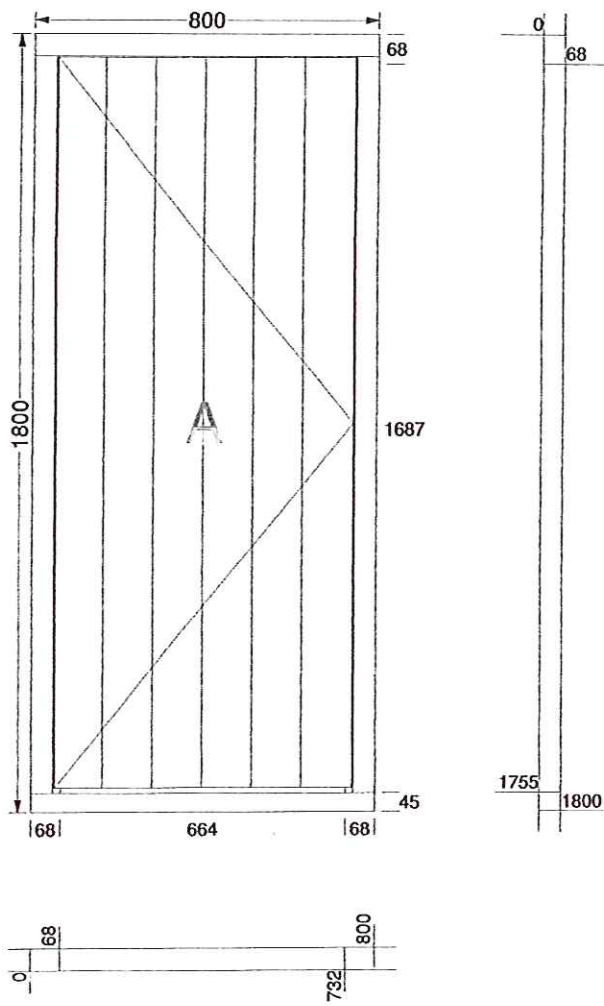
Mid size Diagrams with setting out



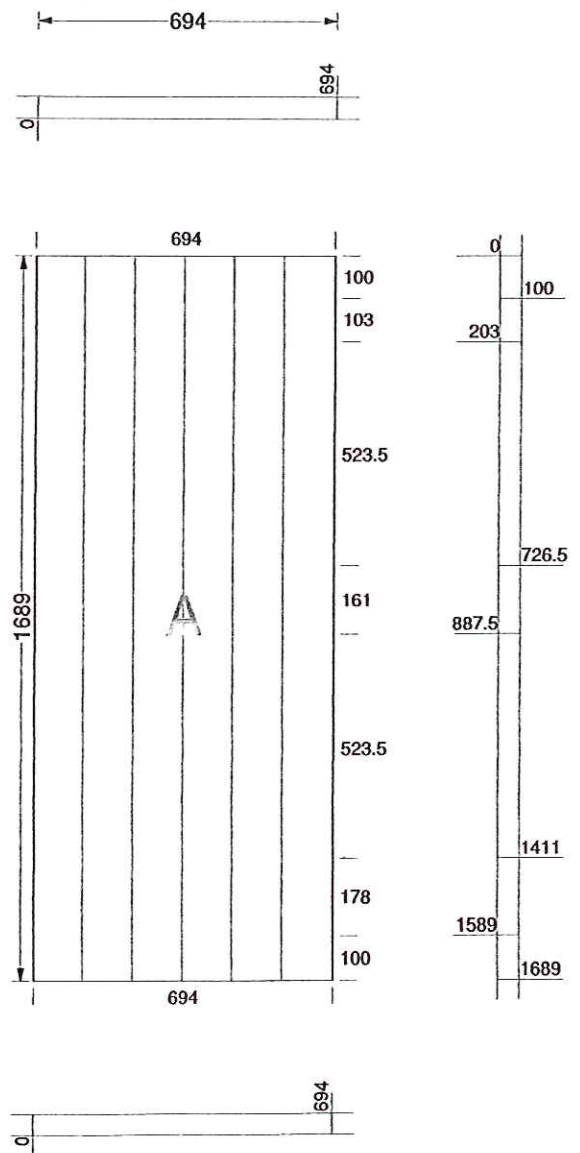
JMS 2.3, 2.3 (34929)

Mid size Diagrams with setting out

1 X Door Frame - D2 (Outhouse)



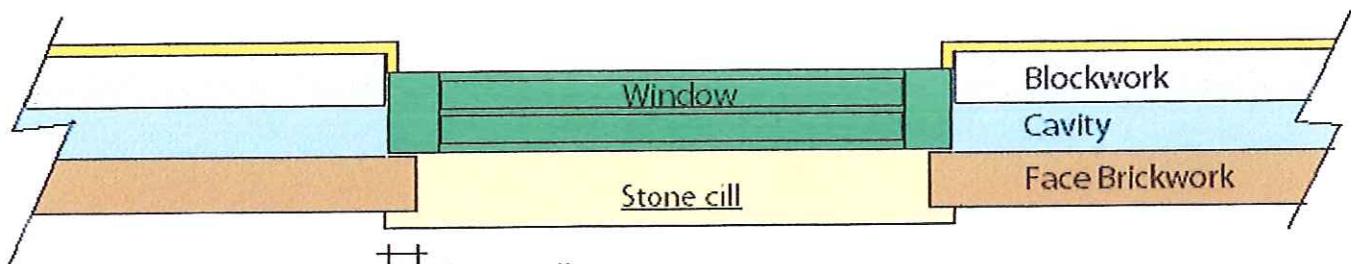
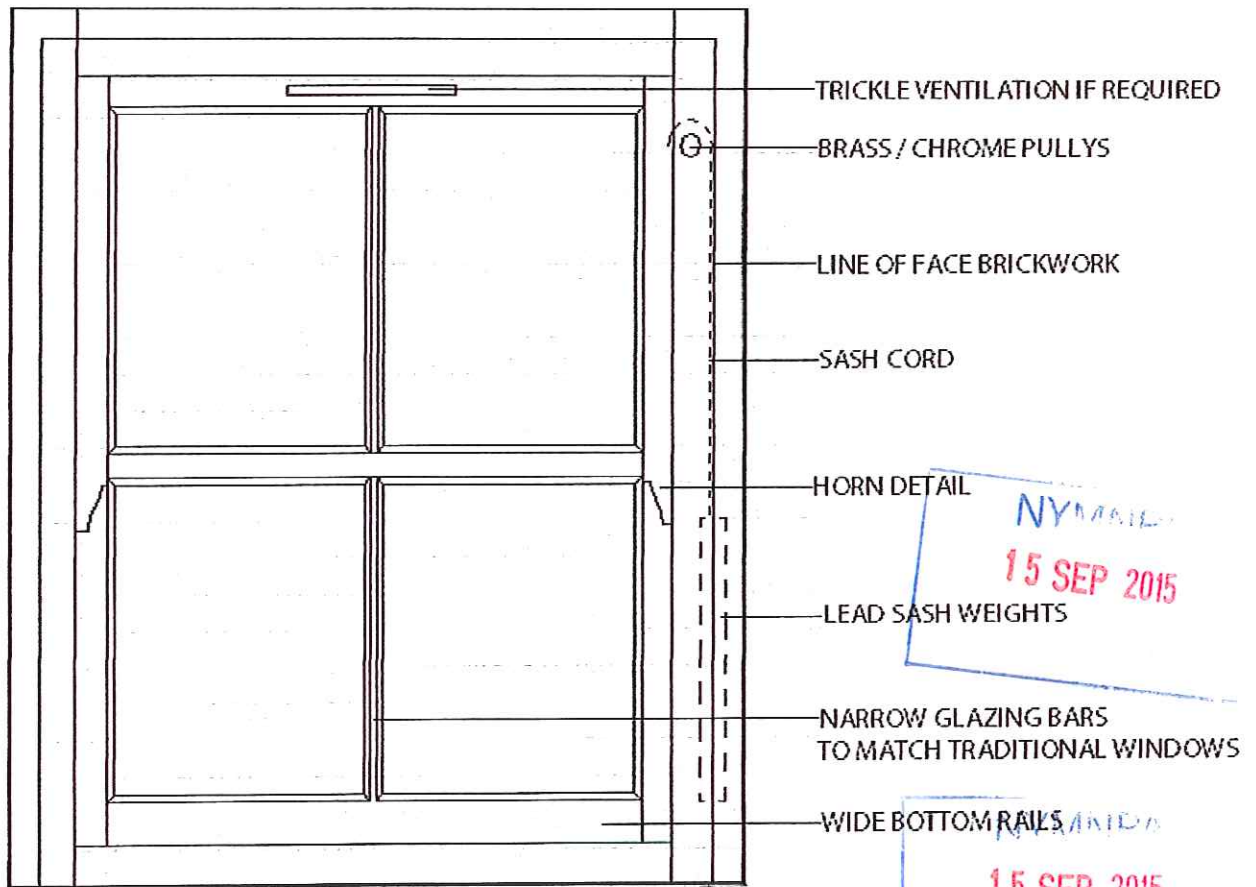
D2 Door Right Hung



Traditional Box Sash Window, Typical Detail



Window fitted behind face brickwork

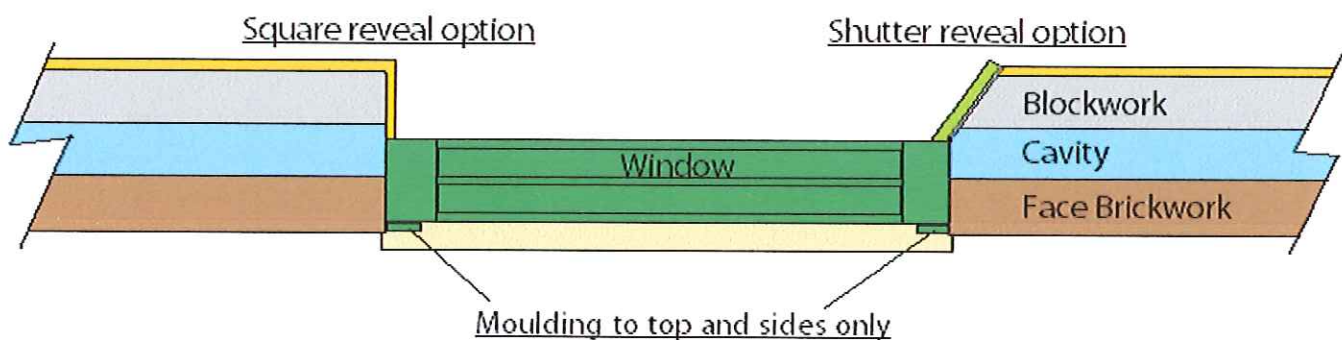
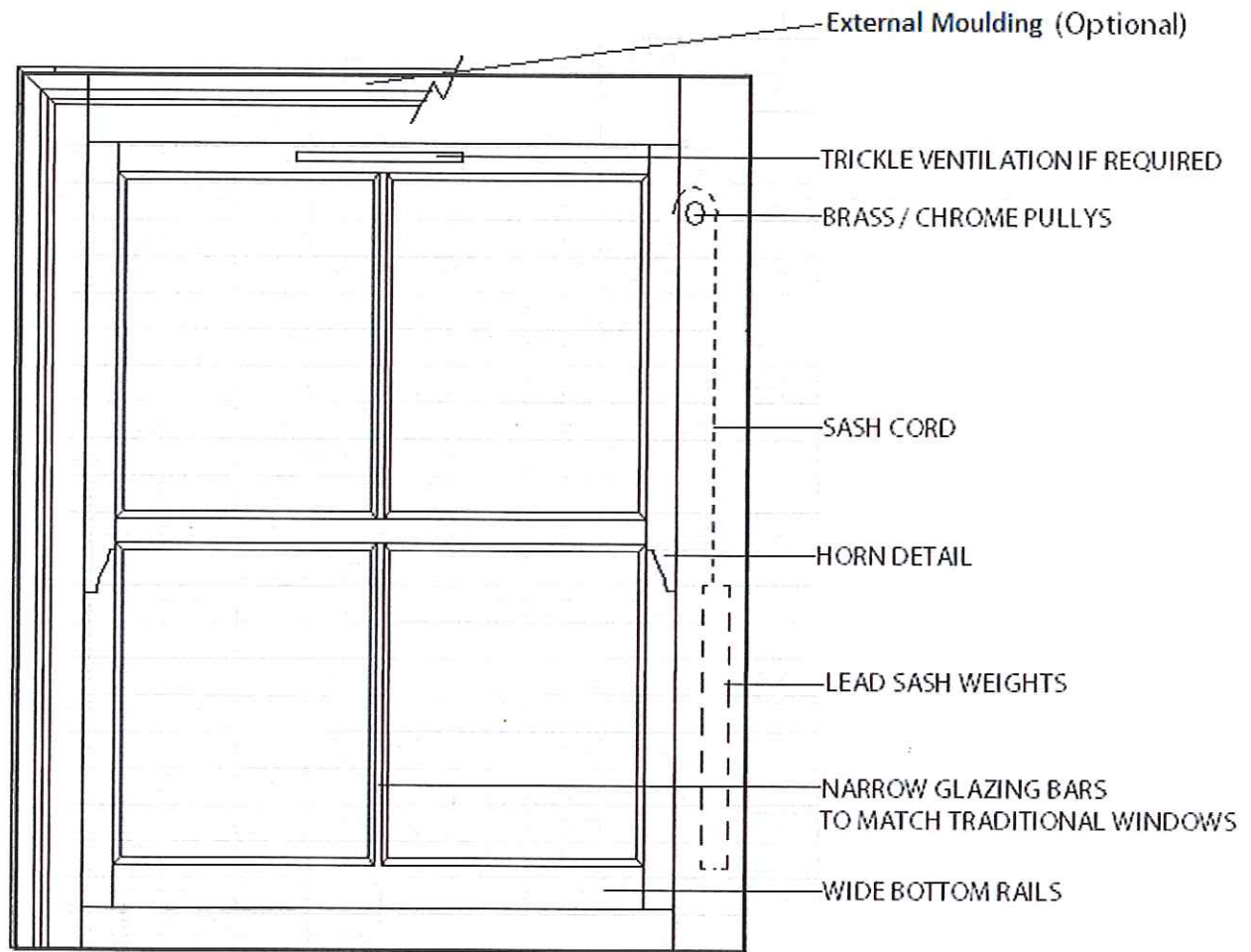


++
Brickwork reveal generally 50mm
Top and sides only

- Mouldings and Sections to match Traditional Details
- Bonded Glazing Bars to ensure Narrow Site Lines
- Preservative Treated
- Fully Finished with Sikks Paint System
- Best Quality Redwood
- Traditional Pulleys and Weights
- Polished Brass fittings fitted as Standard
- Fully Weather Sealed to prevent drafts and rattle

Traditional Box Sash Window, Typical Detail

Fitted in External leaf of Brickwork



- Mouldings and Sections to match Traditional Details
- Bonded Glazing Bars to ensure Narrow Site Lines
- Preservative Treated
- Fully Finished with Sikken's Paint System
- Best Quality Redwood
- Traditional Pulleys and Weights
- Polished Brass fittings fitted as Standard
- Fully Weather Sealed to prevent drafts and rattle