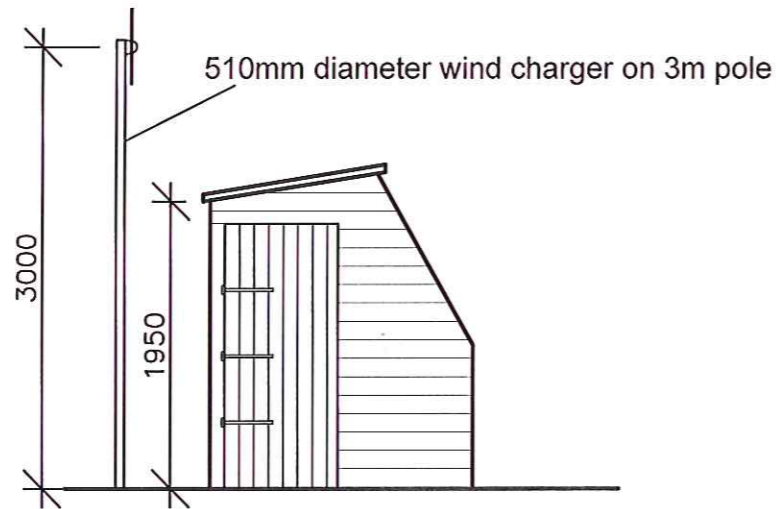
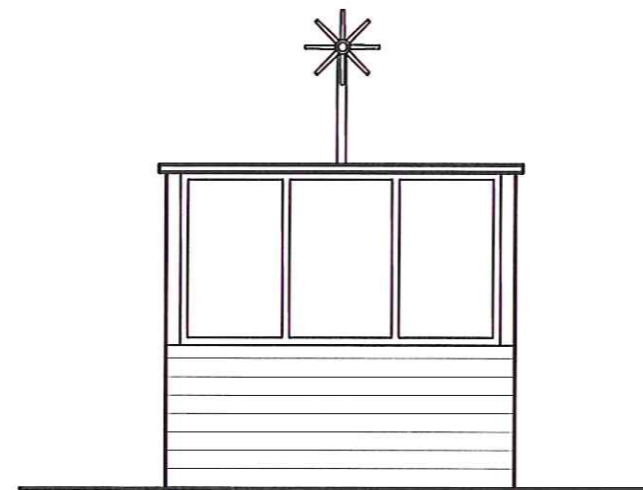


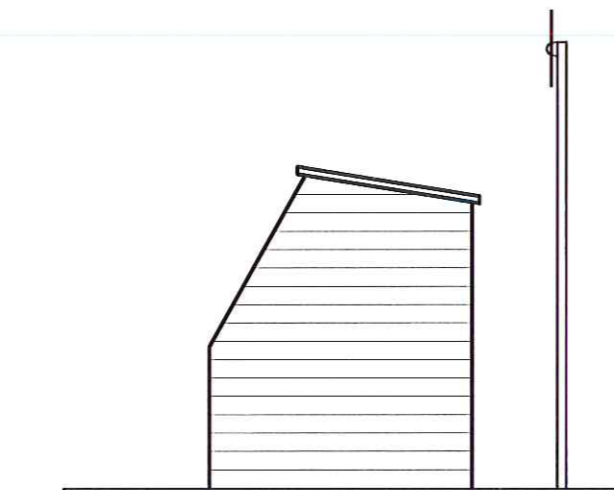
PLAN



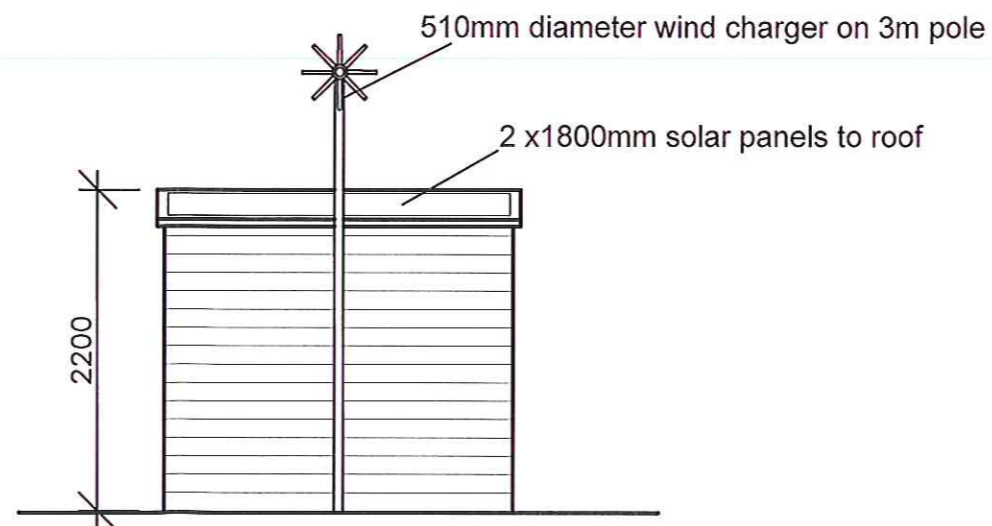
SIDE



SIDE



SIDE



SIDE

ORIGINAL PAPER SIZE A3

© Copyright to Acorus Ltd.

**NOTES**

1. IF IN DOUBT ASK
2. WRITTEN DIMENSIONS TO BE USED ONLY.
3. THIS DRAWING IS CONFIDENTIAL AND REMAINS THE EXCLUSIVE PROPERTY OF ACORUS. DO NOT COPY UNLESS AUTHORISED.

**REVISIONS**

| No. | Date | Description | Ver. |
|-----|------|-------------|------|
|     |      |             |      |



Chartered Surveyors and Planning Consultants  
 Pendeford House, Pendeford Business Park,  
 Wobaston Road, Wolverhampton. WV9 5AP

**JOB TITLE**  
 PROPOSED AIRSTRIP AT  
 SOUTH MOOR FARM,  
 LANGDALE END. YO13 0LW

**CLIENT**  
 MR R. W. WALKER

|                     |                     |
|---------------------|---------------------|
| <b>DRAWN</b> JL     | <b>DATE</b> JULY 13 |
| <b>VERIFIED</b> BRB | <b>SCALE</b> 1:50   |

**DRAWING TITLE**  
 PLAN AND ELEVATION OF THE  
 SHED WITH WIND TURBINE AND  
 SOLAR PANELS

|                  |                                 |
|------------------|---------------------------------|
| <b>FILE REF.</b> | <b>DRAWING No.</b><br>WALKER-04 |
|------------------|---------------------------------|

Reproduced from the 1992 Ordnance Survey  
 controller of Her Majesty's Stationary Office. Unauthorised reproduction  
 infringes Crown Copyright and may lead to prosecution. Licence No. 100039456