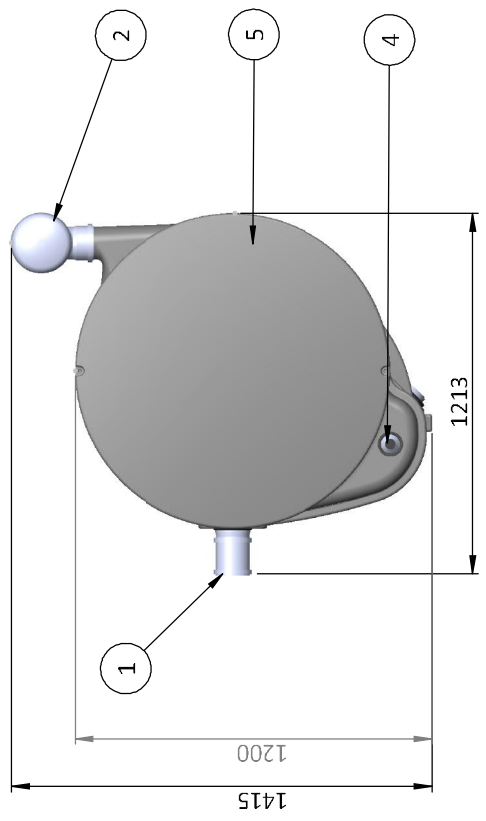
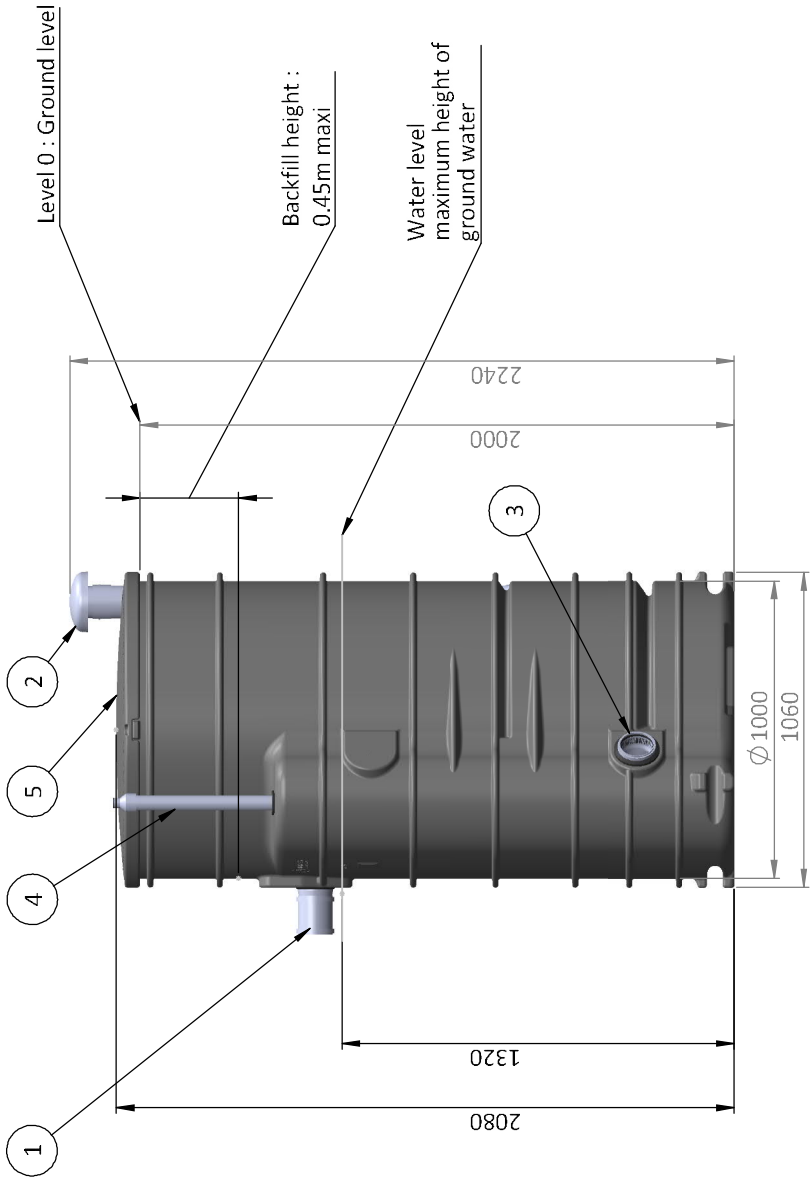


NYMNP
24/04/2018

ECOROCK-700 CAPACITY UP TO 4 PE



This product can be installed in high ground water.

1	Effluents inlet + Air outlet
2	Air inlet
3	Water outlet
4	Overflow alarm
5	Treatment access

CARACTERISTICS	VALUE	UNIT
Capacity in Population Equivalent	up to 4	PE
TREATMENT UNIT	VALUE	UNIT
Minimum volume of pre-treatment	2000	Liters
Treatment volume	1500	Liters
Daily volume of wastewater	150	Liters/day/PE
Daily hydraulic load	0.6	m ³ /day
Organic load per PE	60	gr.DBO5/PE/day
Organic load raw effluent up to	up to 0.24	kg DBO5/day
SPECIFICATION	VALUE	UNIT
Overall length	1213	mm
Overall width	1415	mm
Overall height	2240	mm
Secondary treatment area	0.4185	m ²
Total weight (without water)	152.5	Kg
Pipe diameters	110	mm

Service :

CREATION		NOV	SIGNATURE	DATE
AUTEUR	EM			27/02/2017
VERIF.				
MODIFICATION		NOV	SIGNATURE	DATE
AUTEUR				
VERIF.				
TITRE :				
MODIFICATION				
AUTEUR				
VERIF.				
No. DE PLAN				
UT-Y1500 UNI				
Echelle: 1:18				

BIOROCK
 assainissement non collectif

ECOROCK-700

Tolerance : 3%